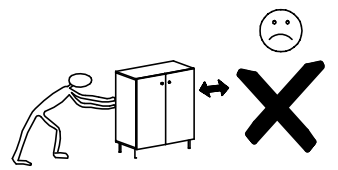
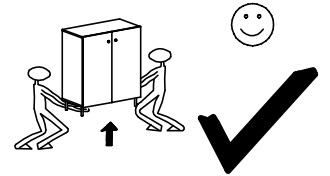
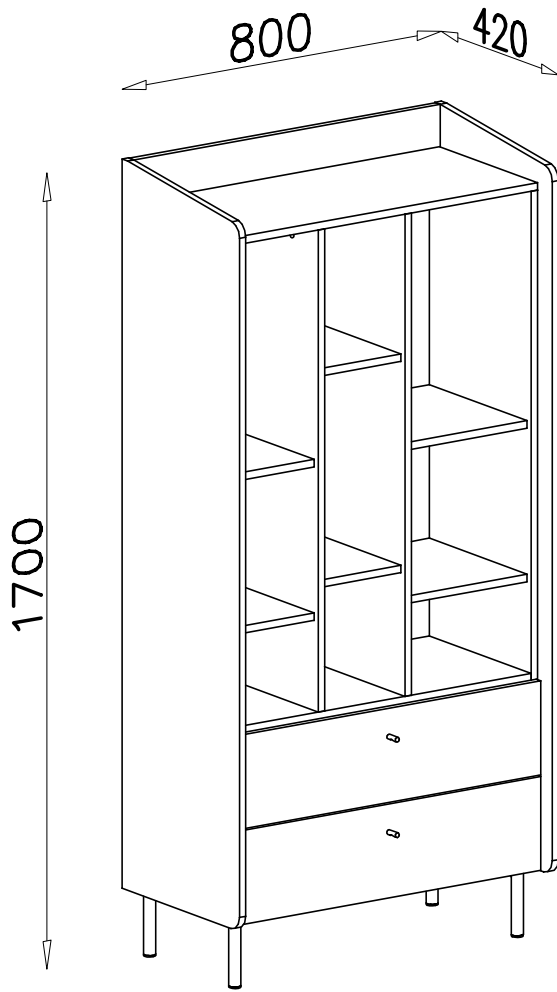
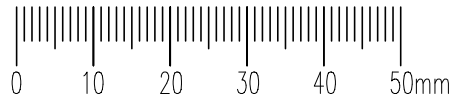
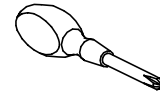
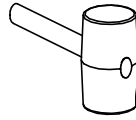
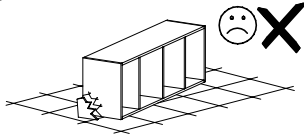
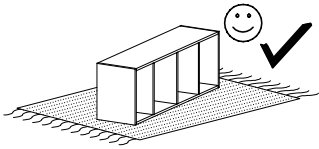


ALESSIO AE 6



I7
ø18 x27



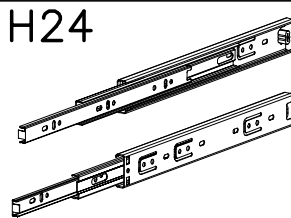
E13 x2



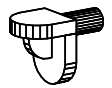
G1 4x13 x20



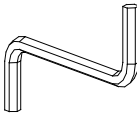
H24 350mm x2



F1 x16



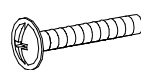
W2 x1



W1 x4



N13 M4x22 x2



S2 x18



G10 6x13 x12



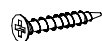
A1 ø7x50 x4



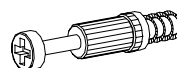
B7 ø8x30 x70



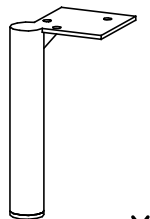
G2 3x20 x60



K5 x31

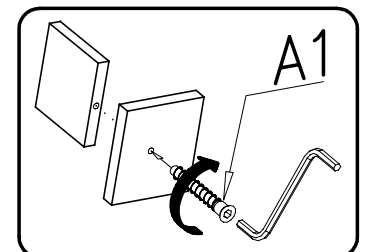
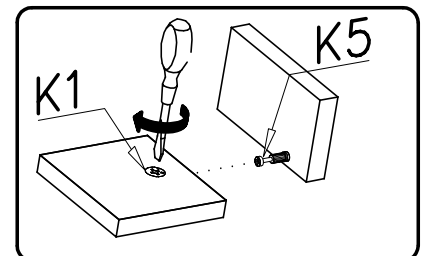
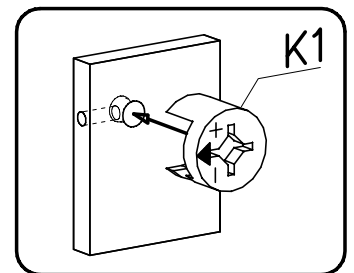
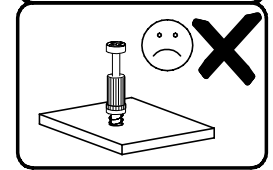
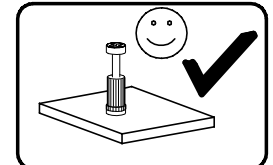
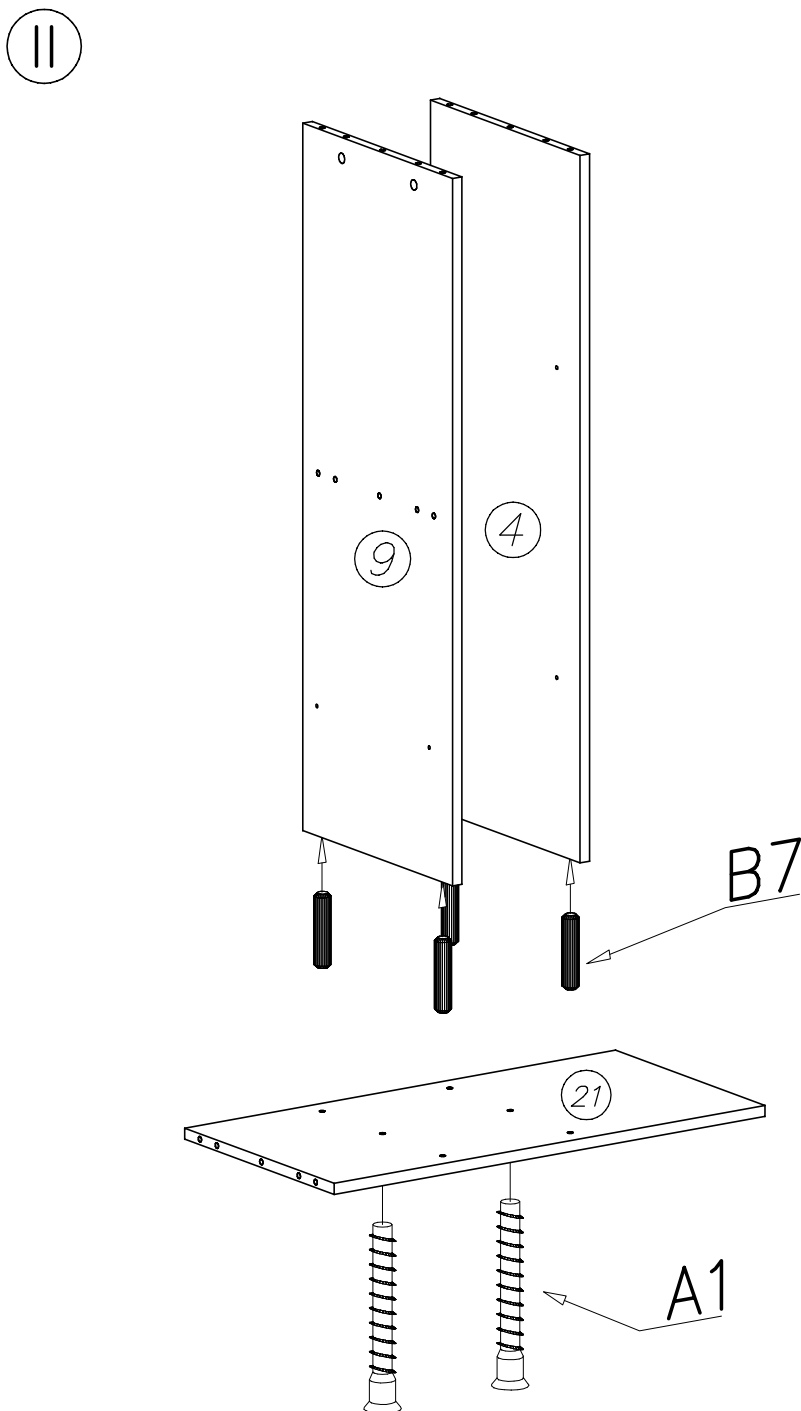
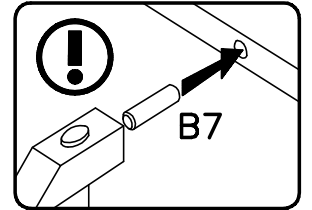
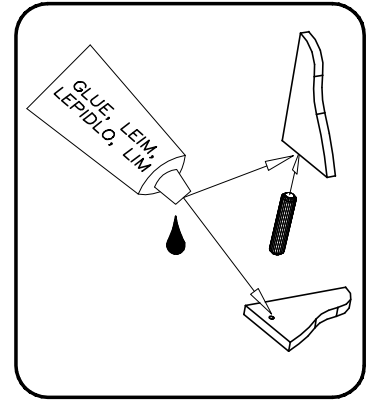
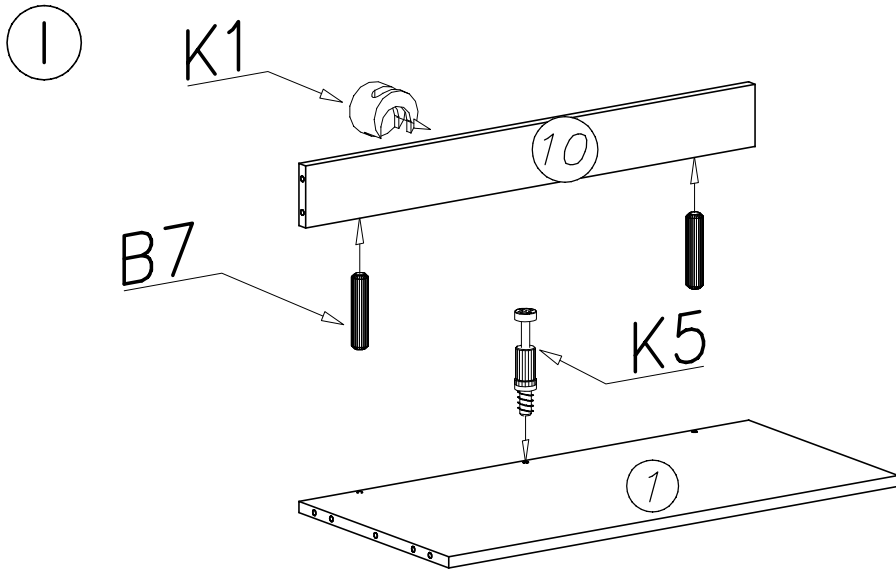


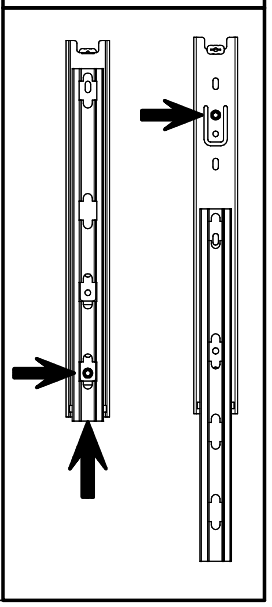
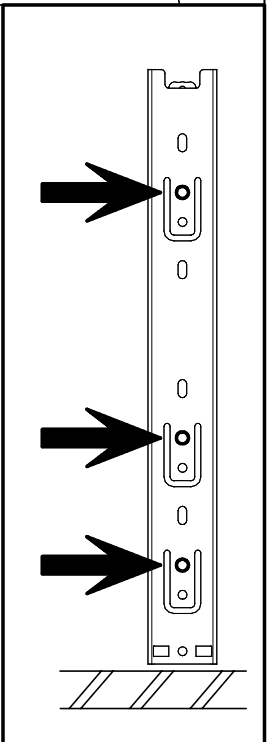
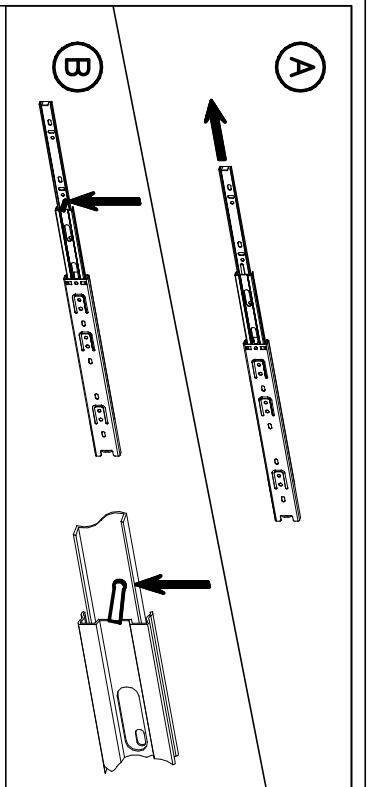
P6 x4



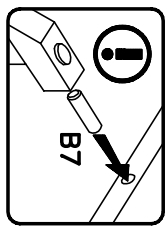
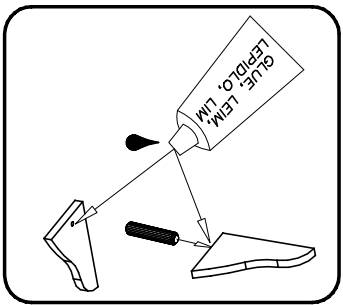
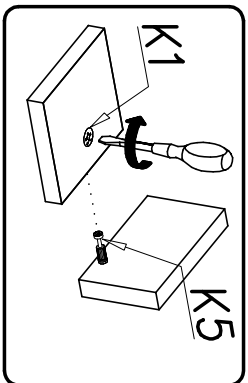
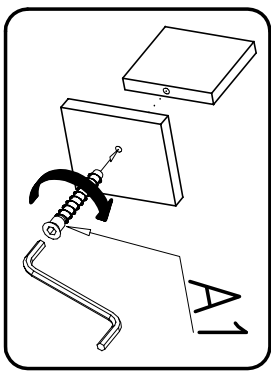
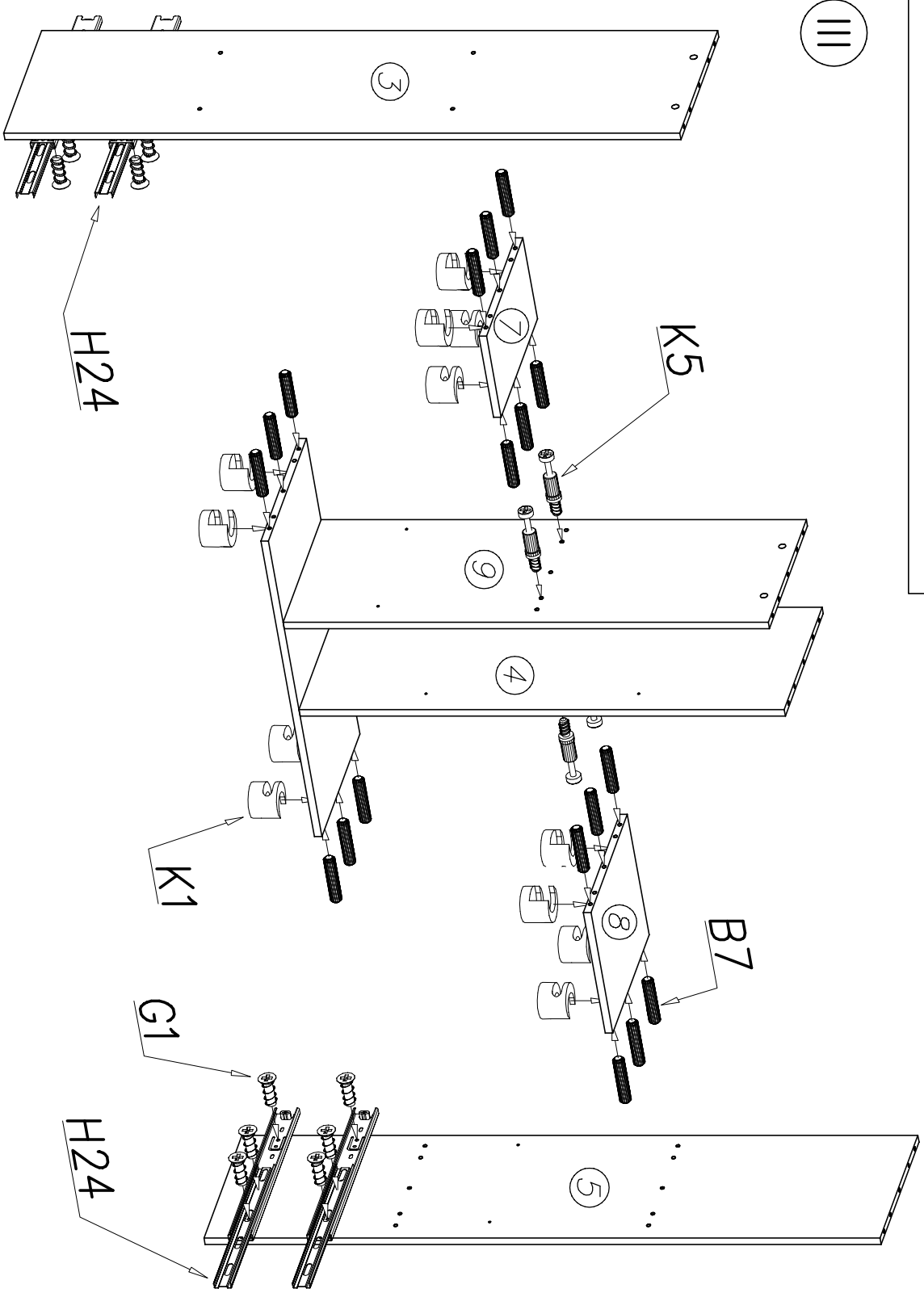
K1 ø15x12 x31



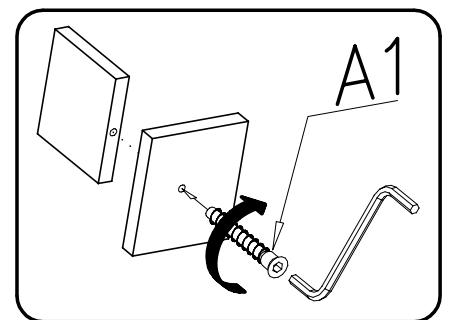
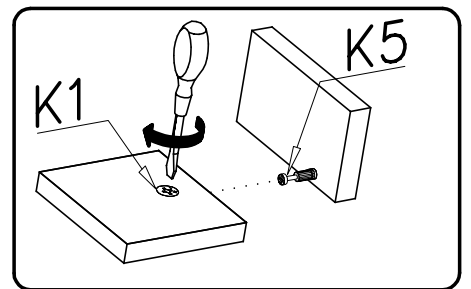
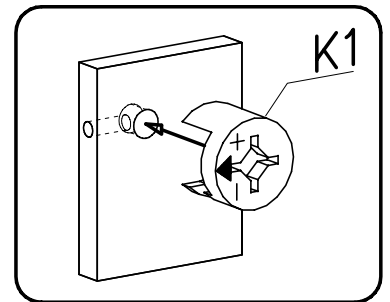
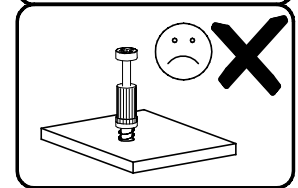
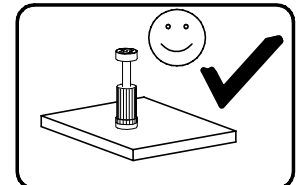
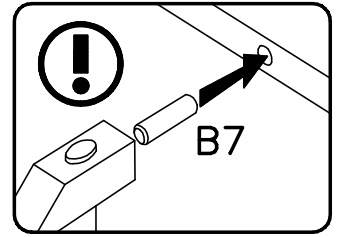
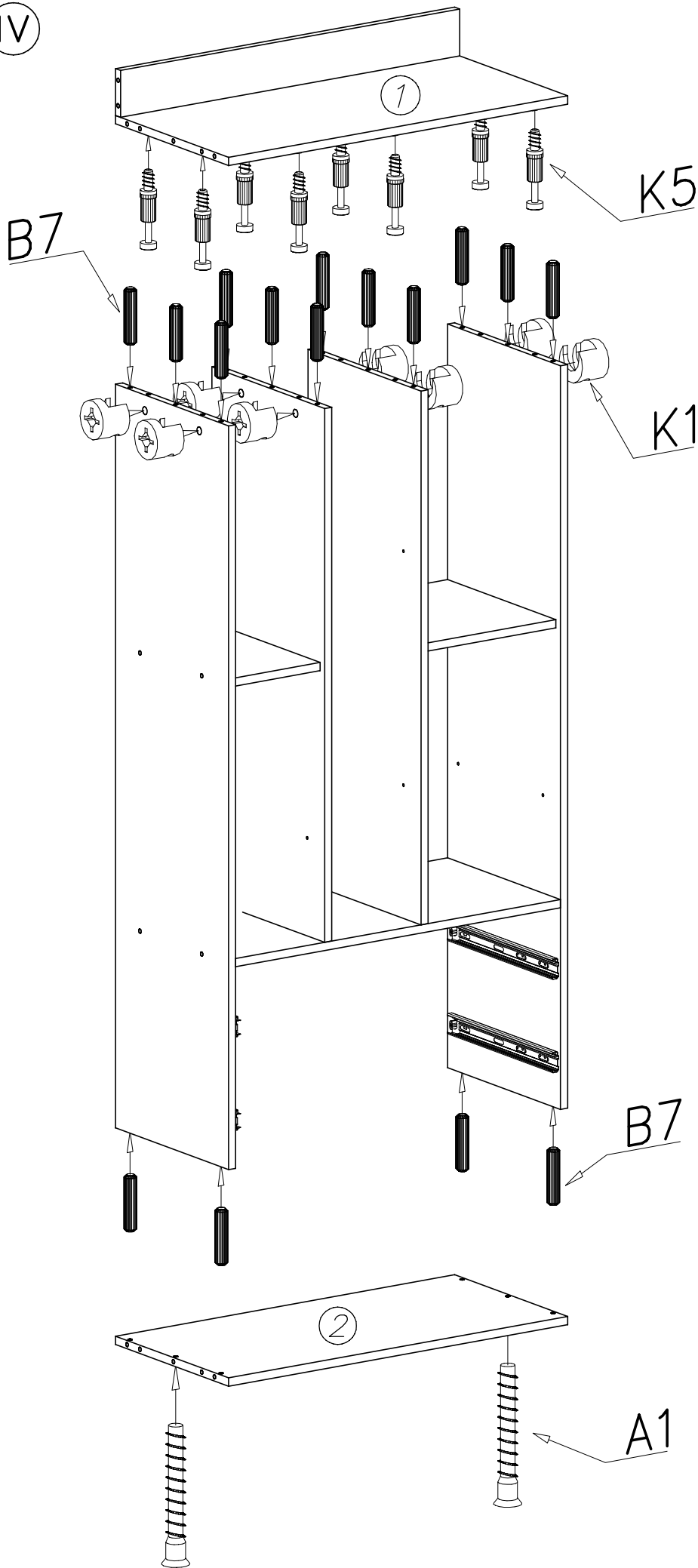




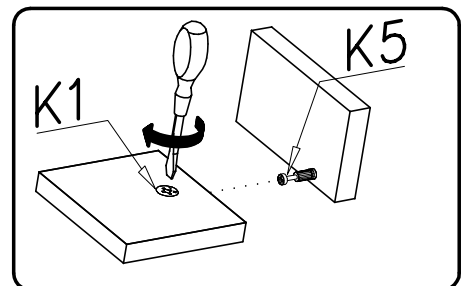
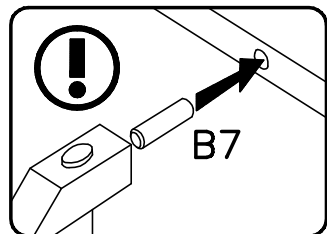
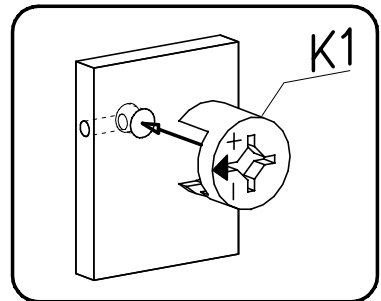
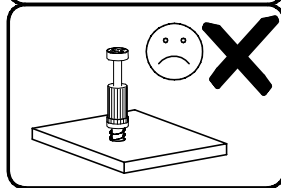
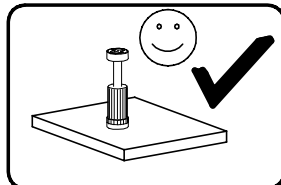
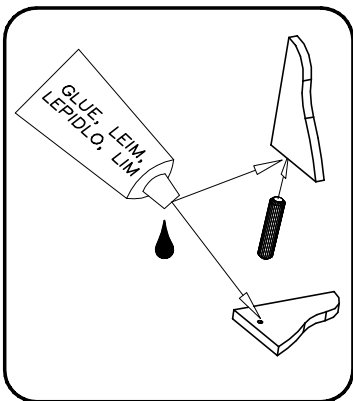
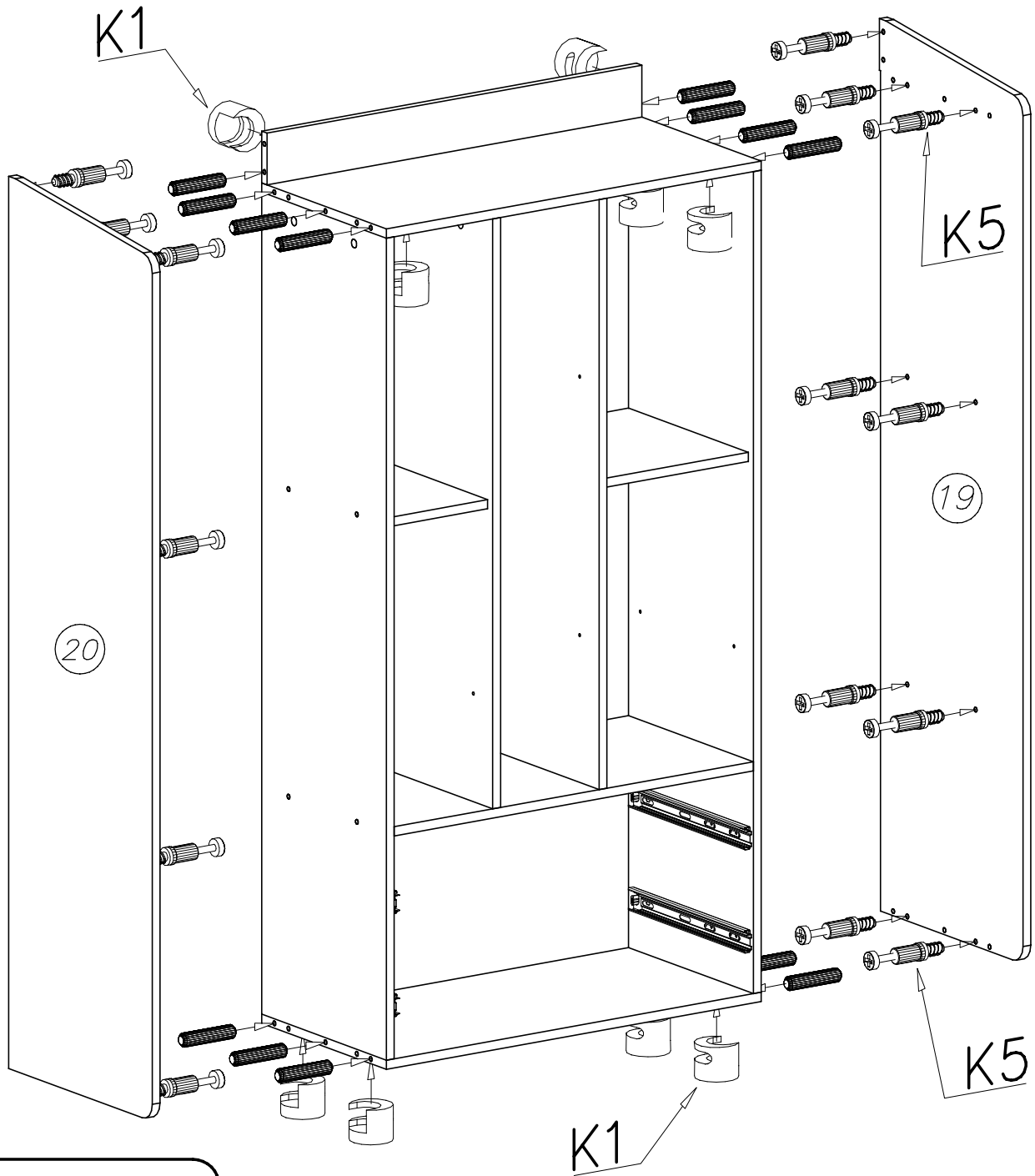
III



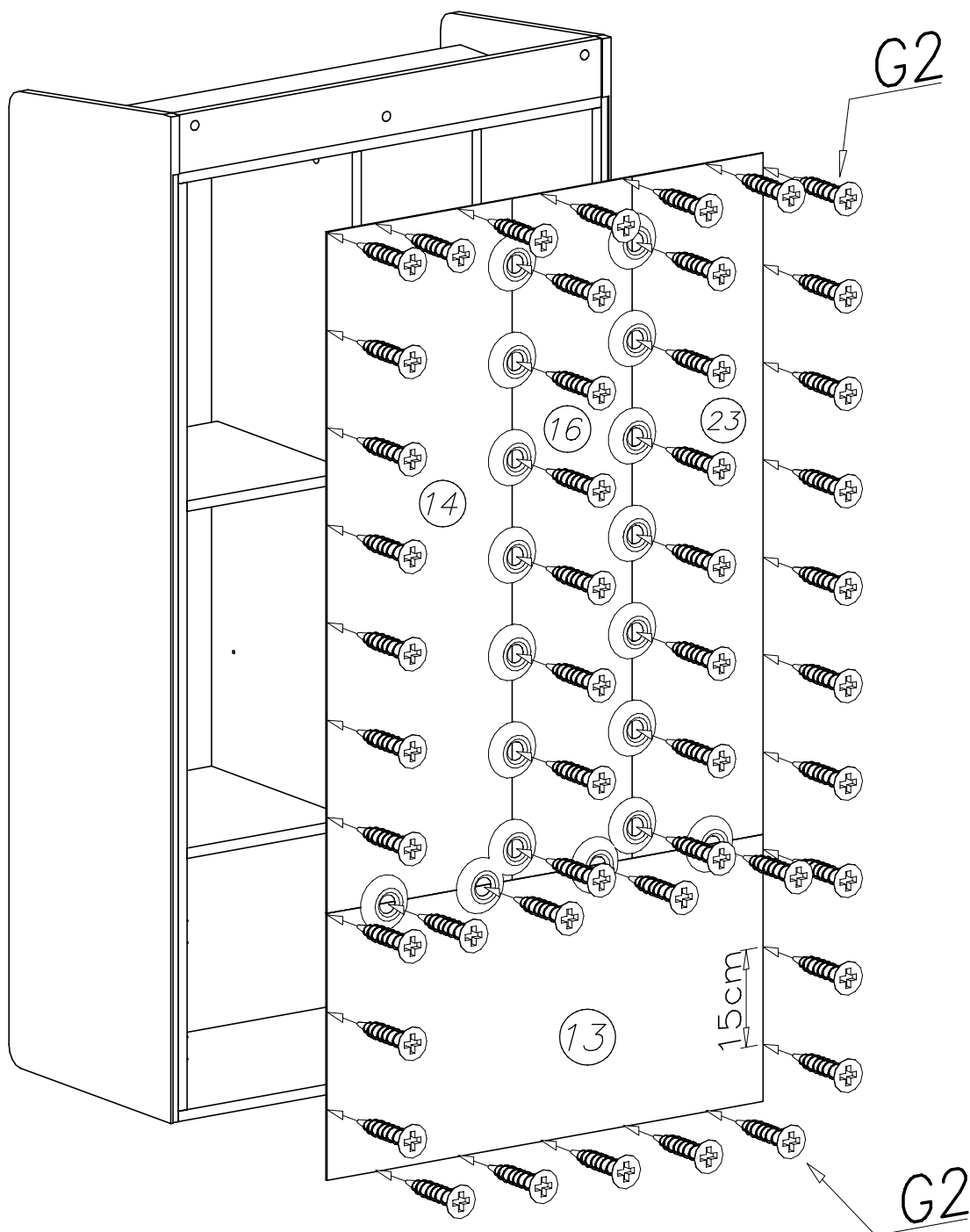
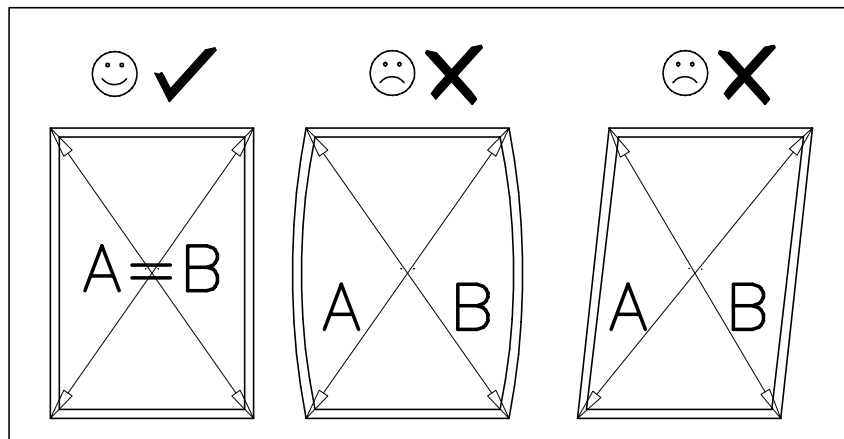
IV



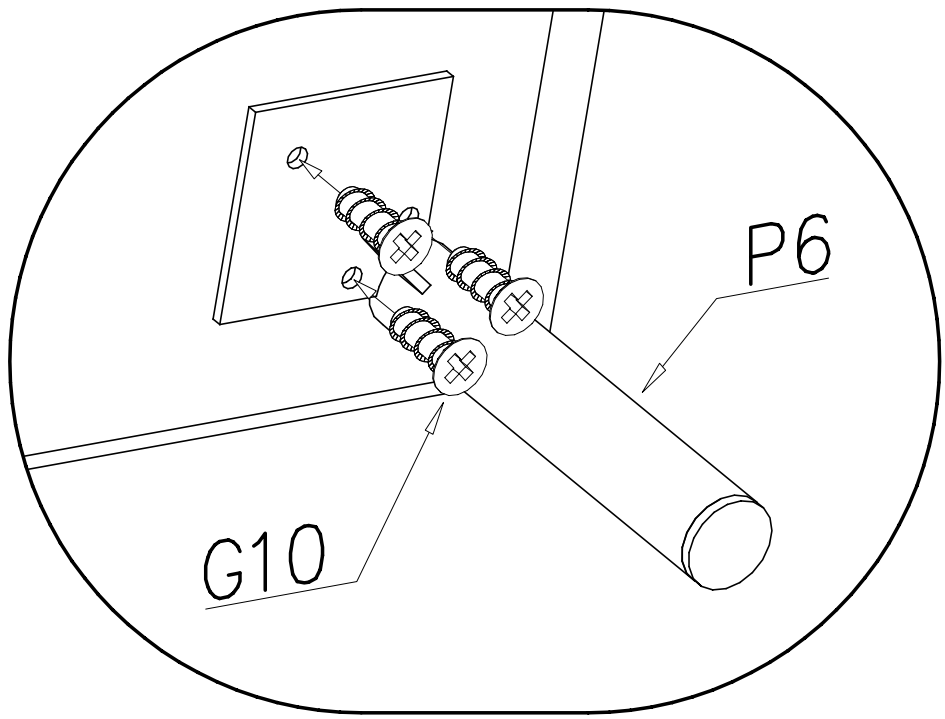
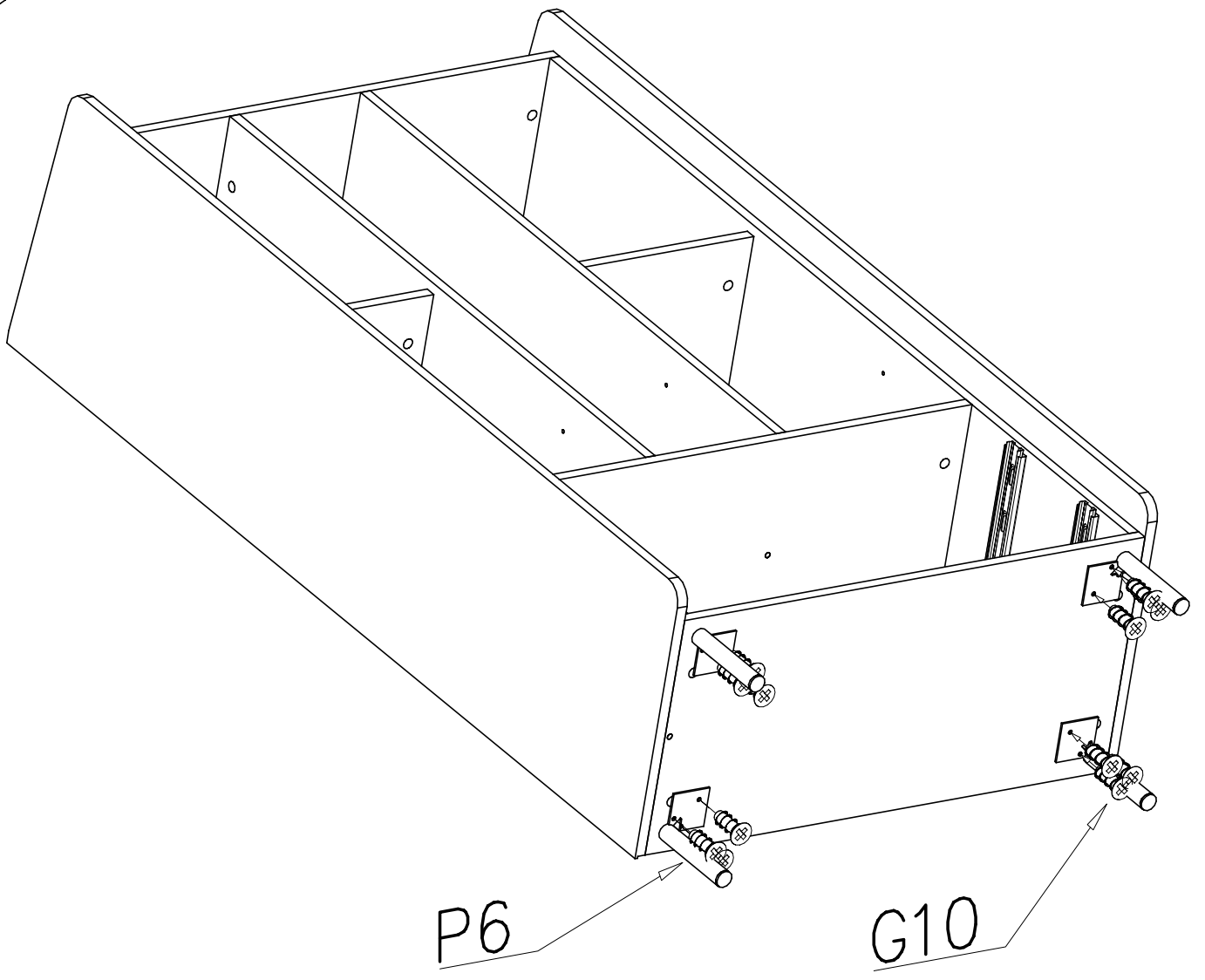
V



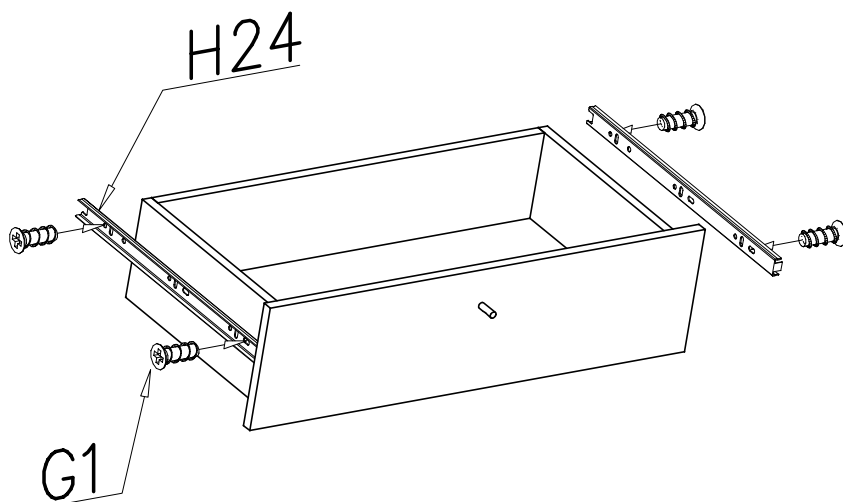
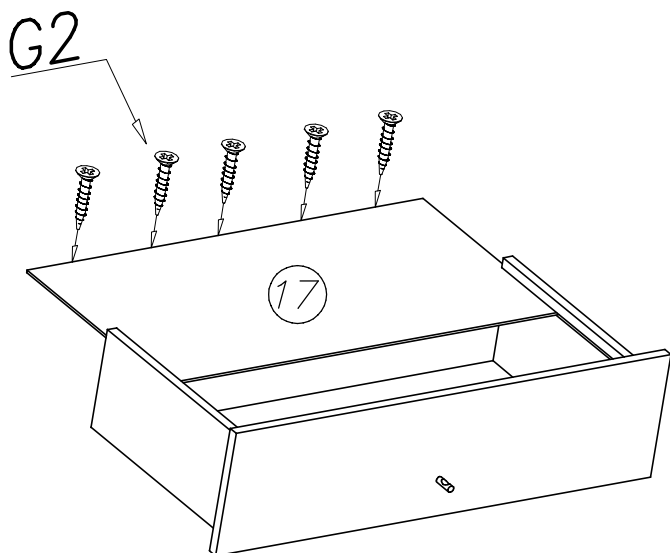
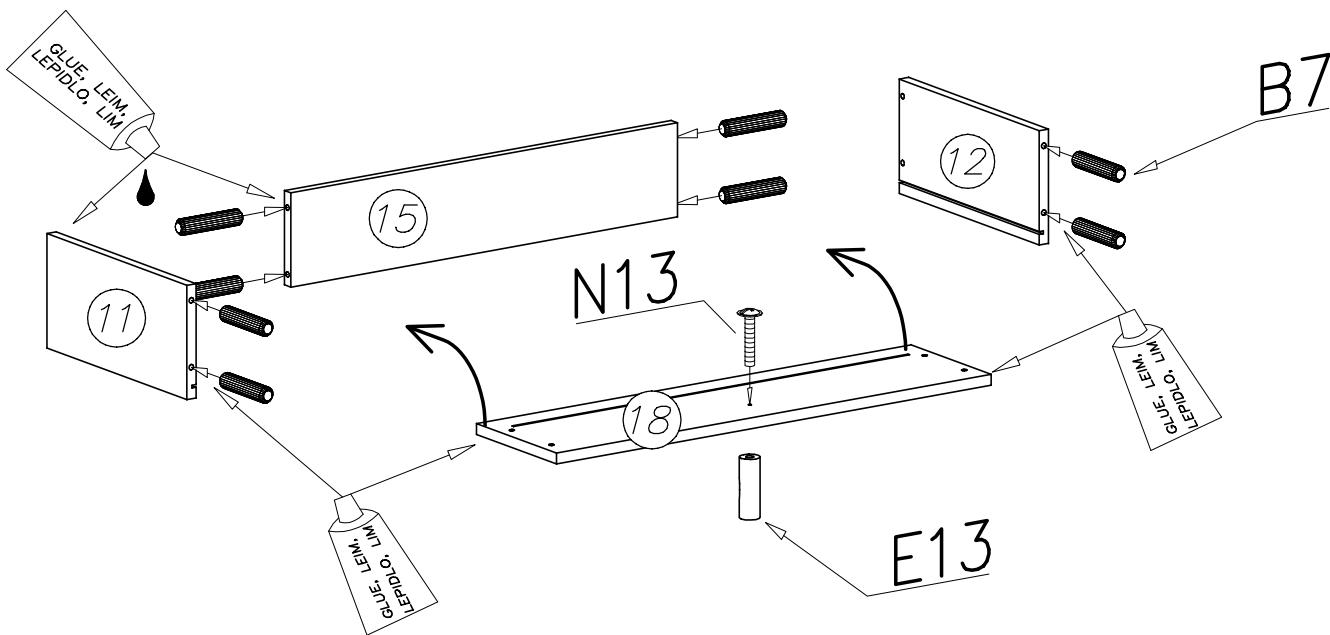
VI



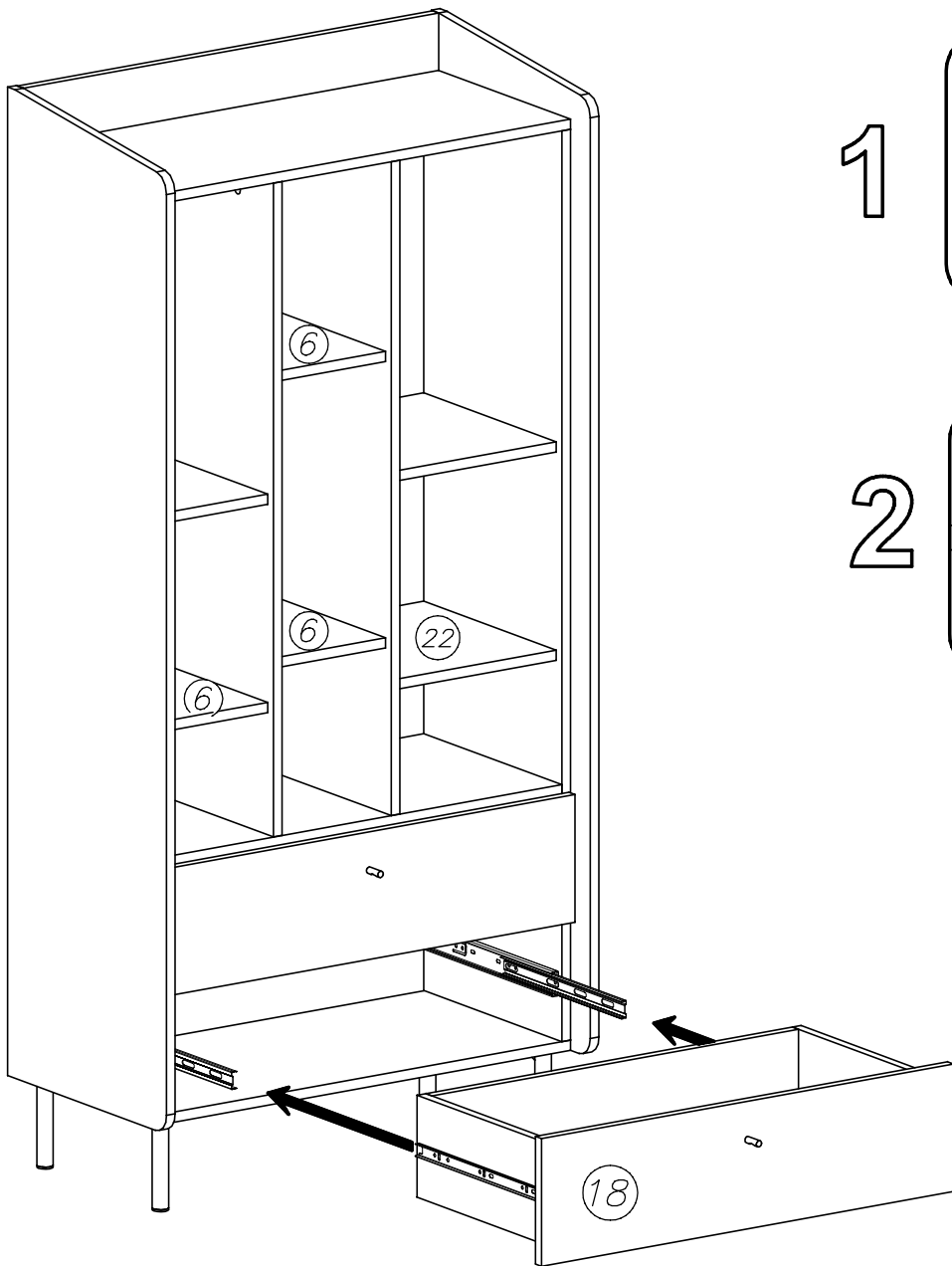
VII



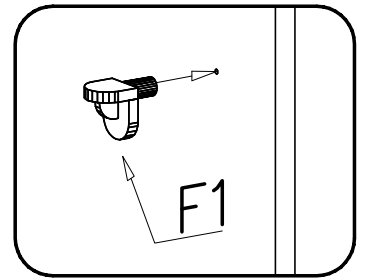
VIII



IX



1



2

