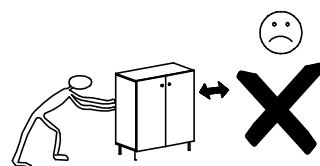
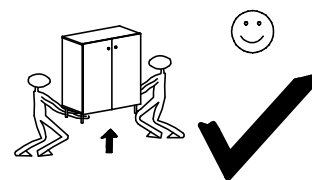
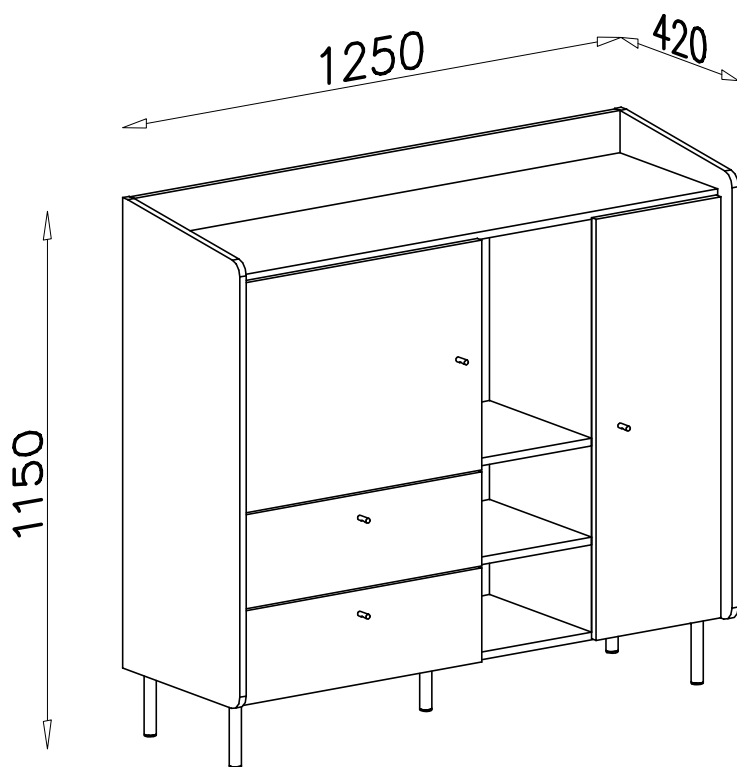
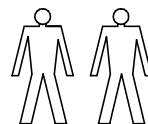
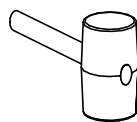
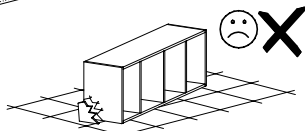
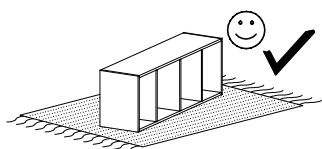


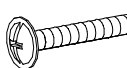
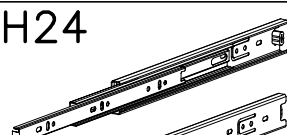
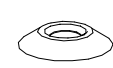


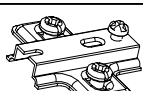
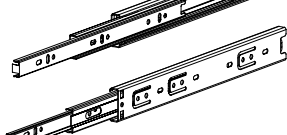

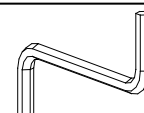


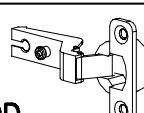
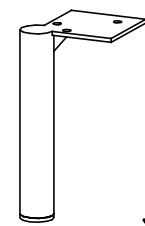
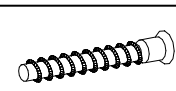
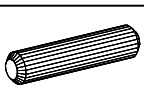
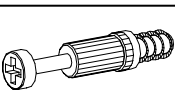

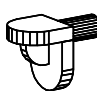
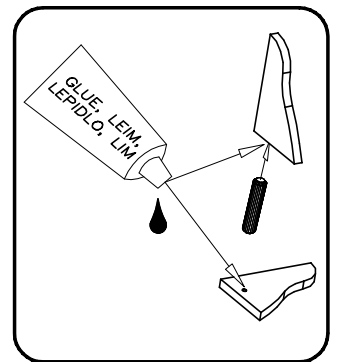
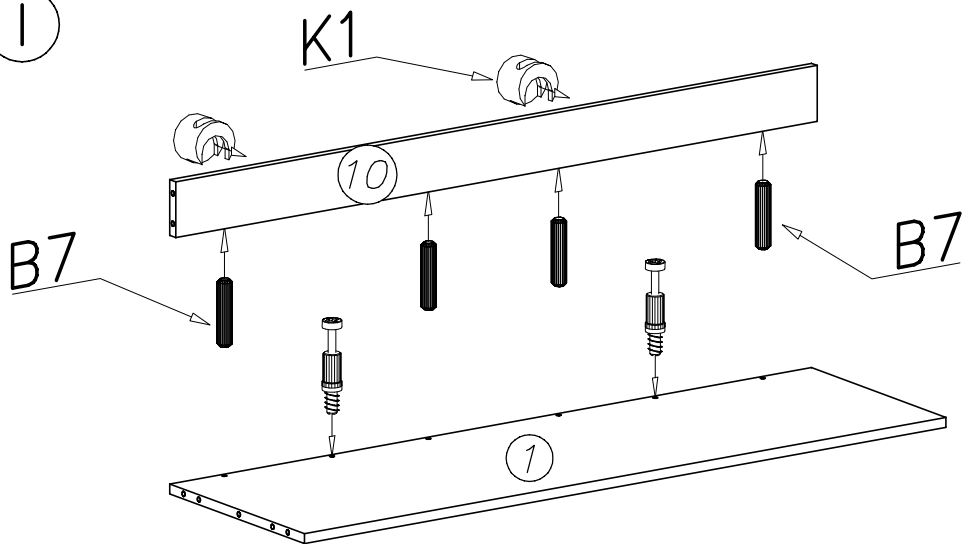


ALESSIO AE 8

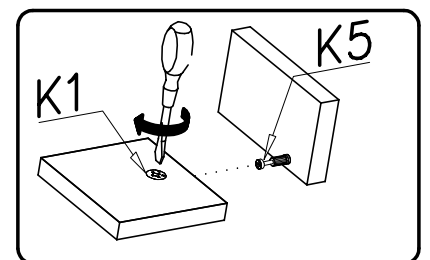
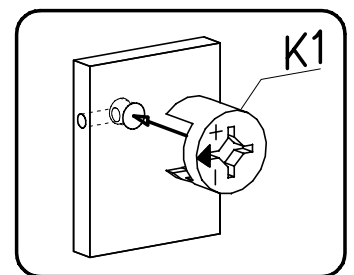
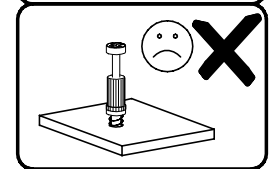
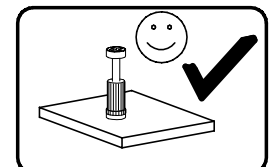
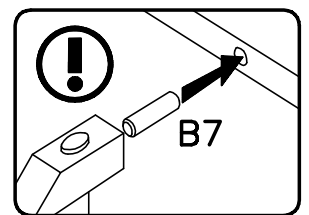
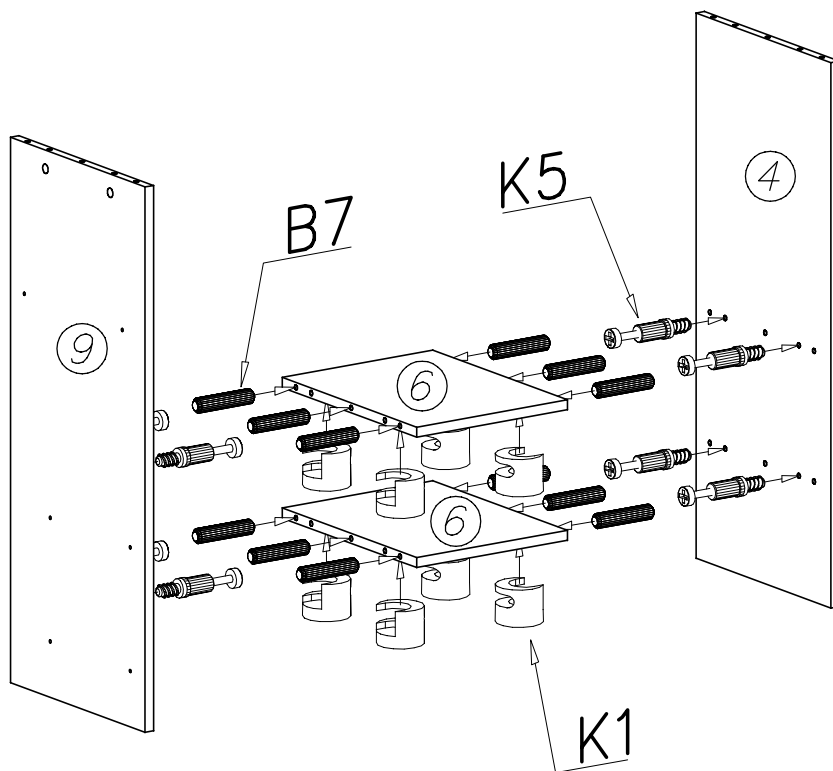


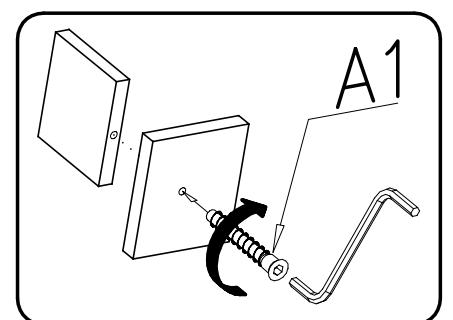
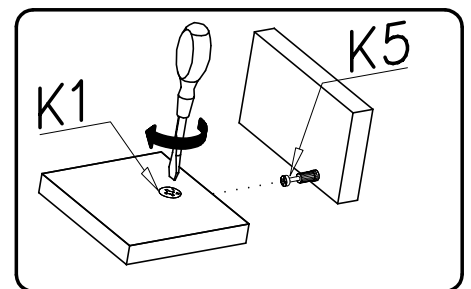
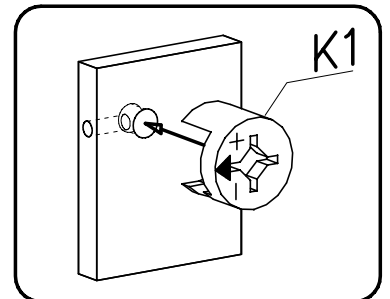
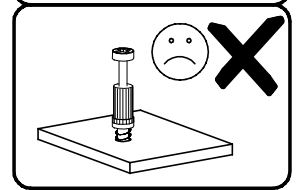
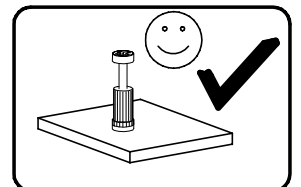
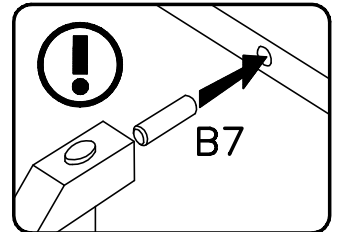
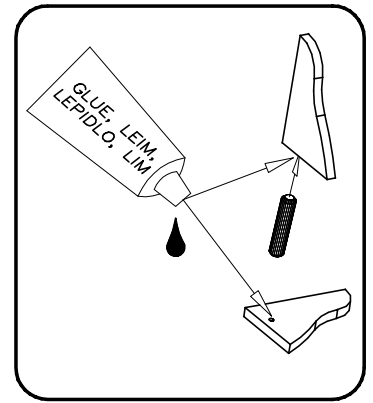
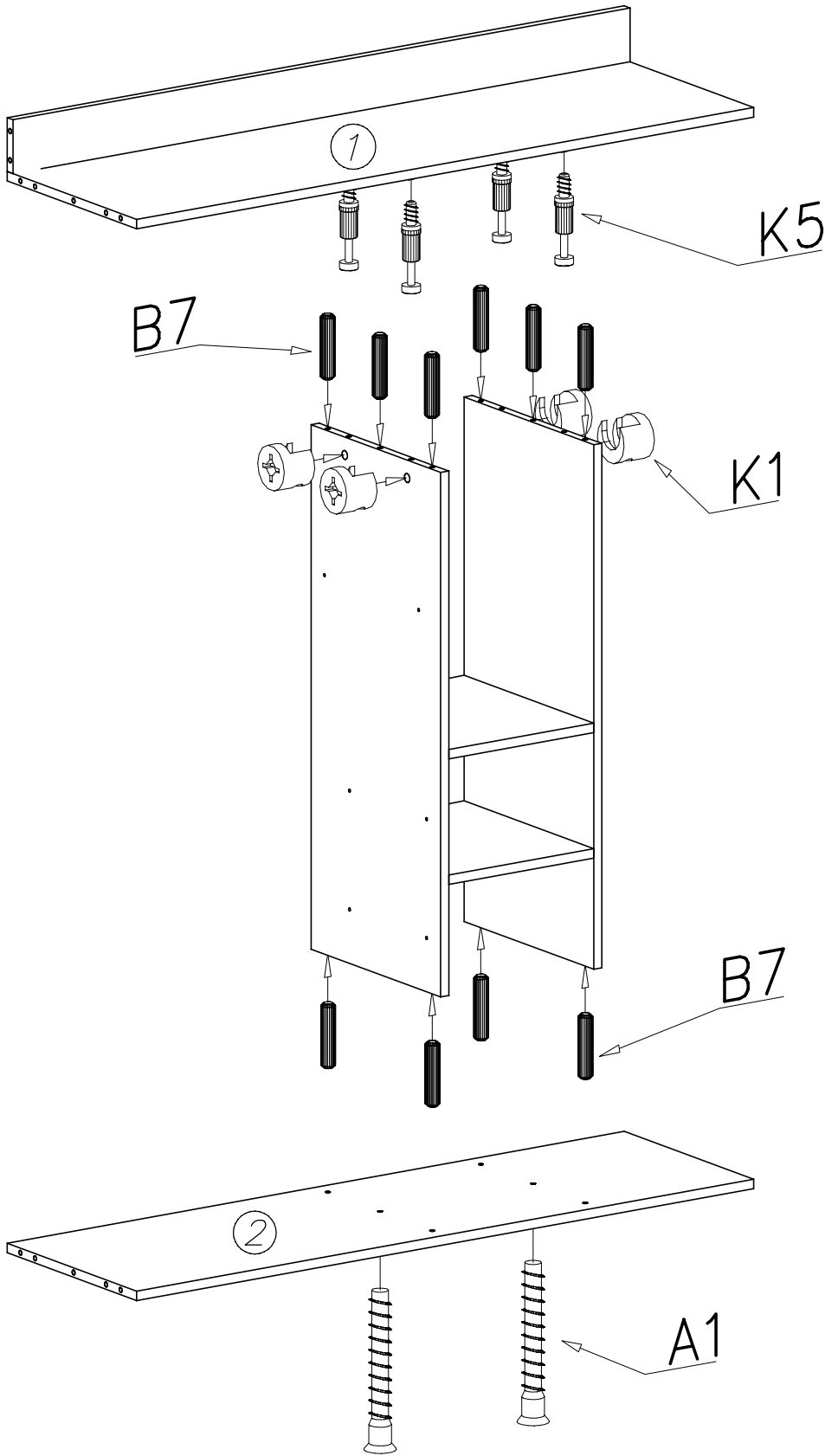
G1 4x13 x20 		E13 x4 		N13 M4x22 x4 		H24 		S2 x16 	
I7 ø18 x28 		W1 x3 GLUE, LEIM, LEPIDLO, LIM 		D4 PZ350D x5 		350mm x2 		G10 6x13 x15 	
W2 x1 		G4 4x16 x10 		G2 3x20 x55 		C4 Z350D x5 		P6 x5 	
A1 ø7x50 x2 		B7 ø8x30 x62 		K5 x28 		K1 ø15x12 x28 		F1 x12 	

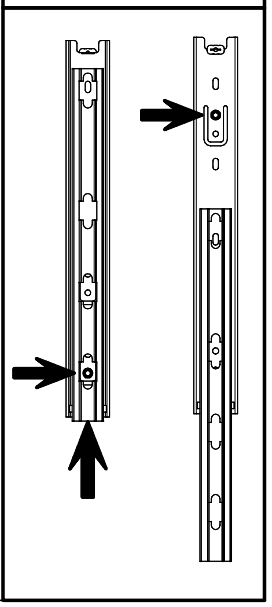
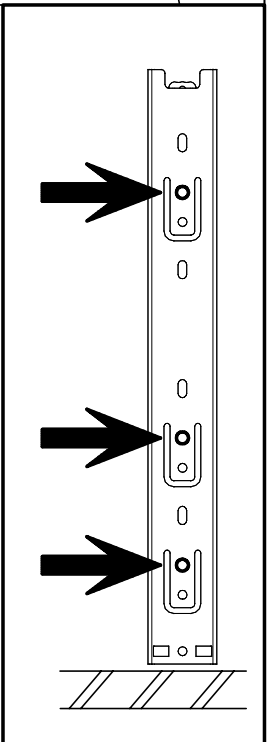
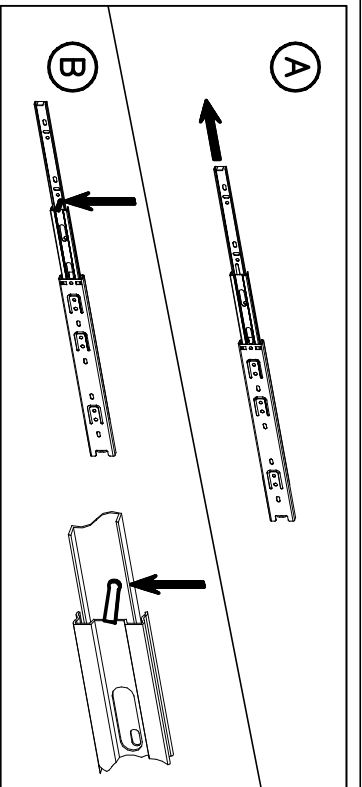
I



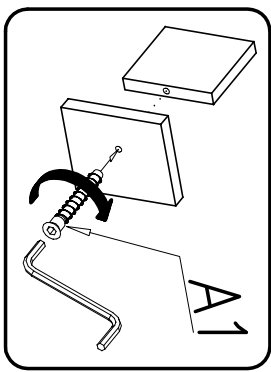
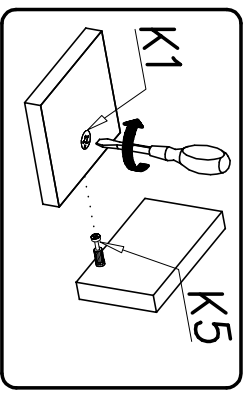
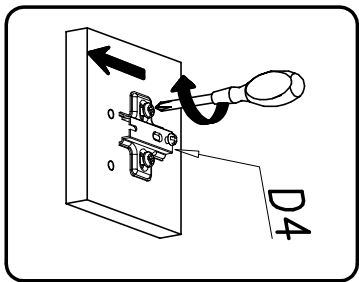
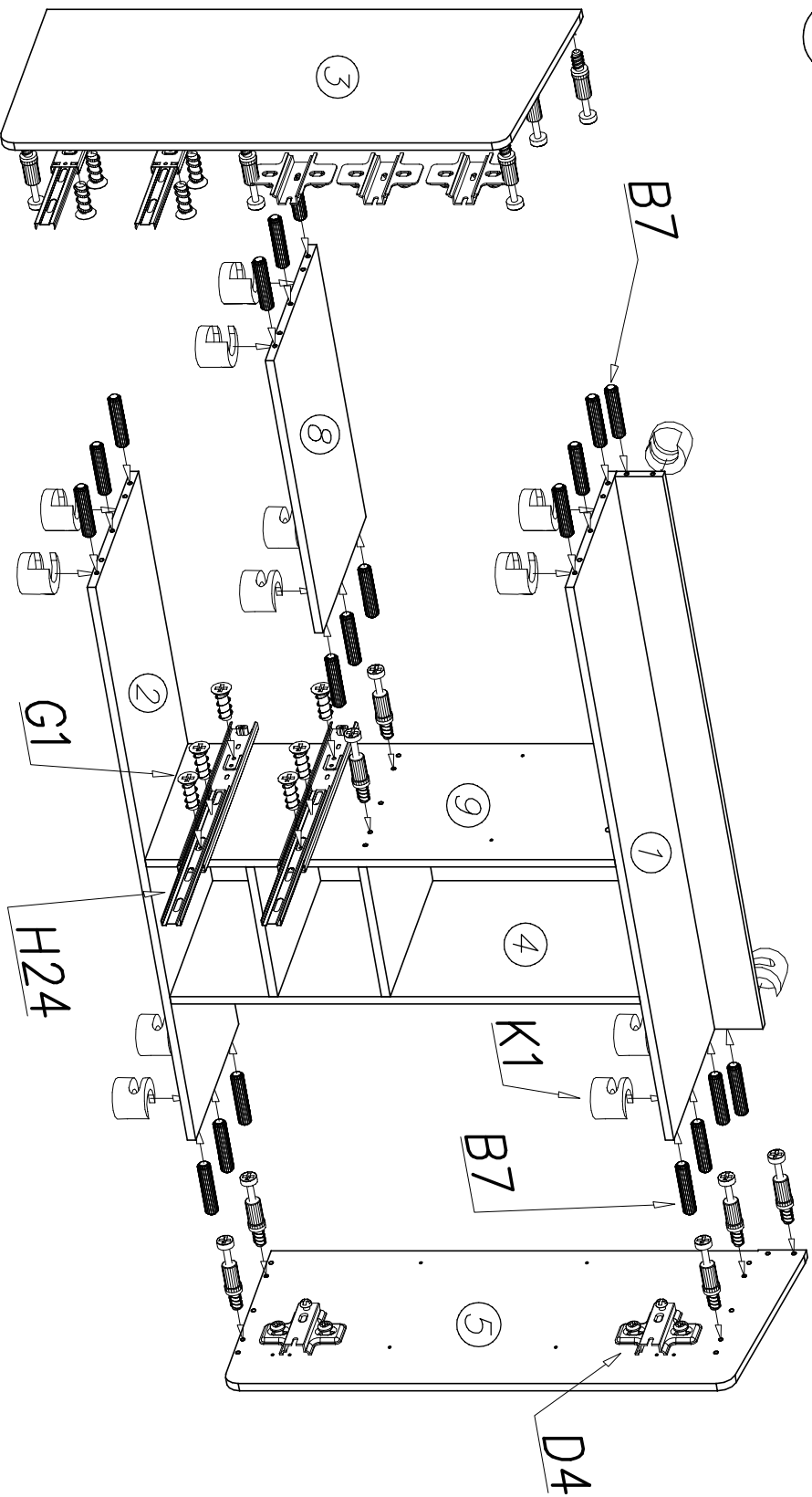
II



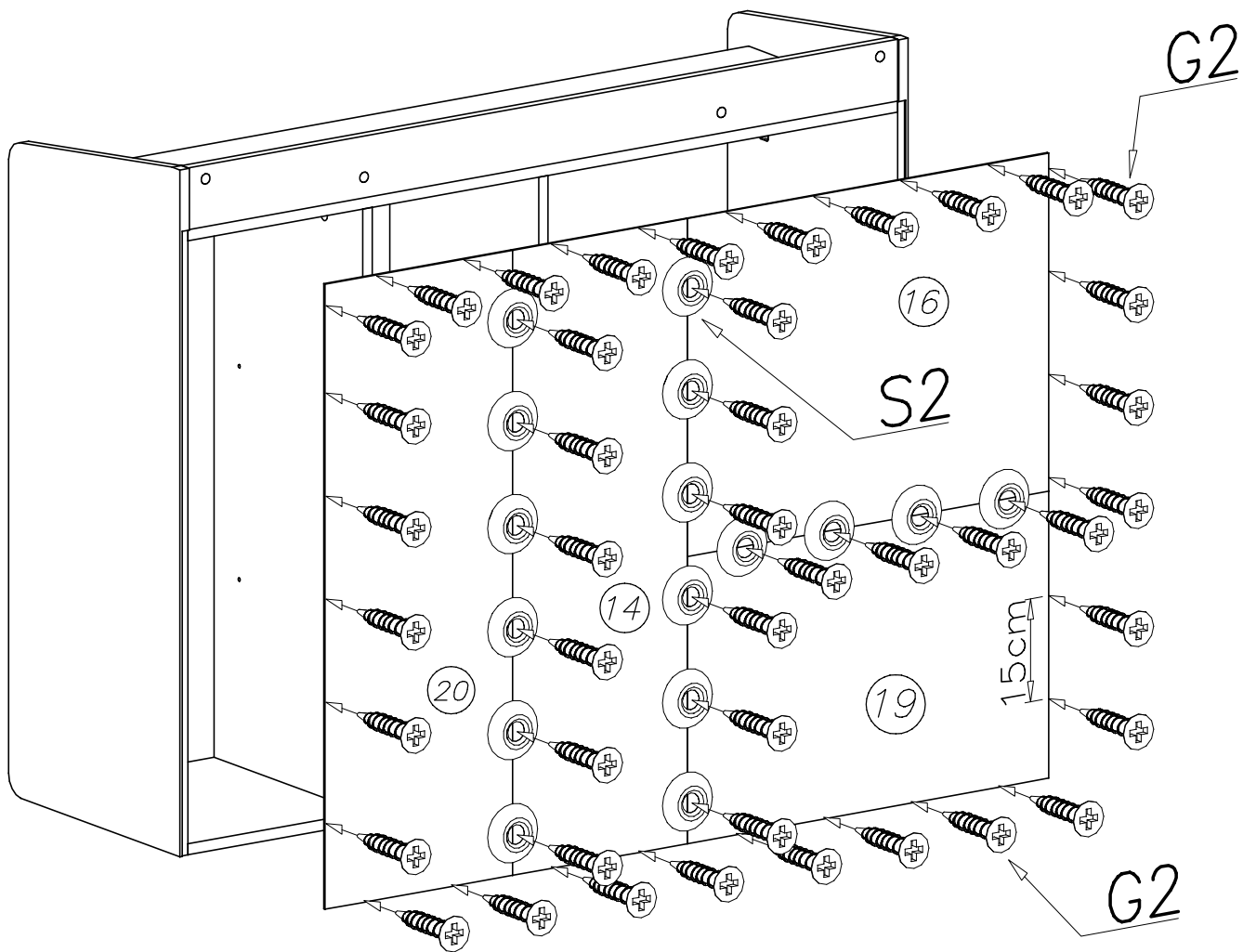
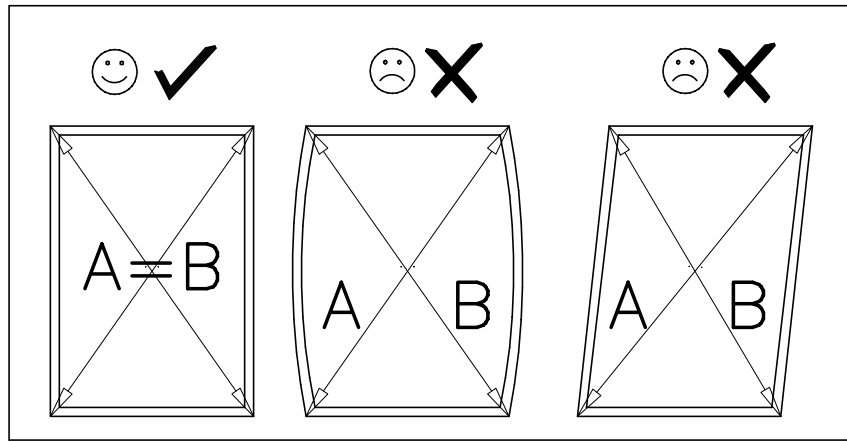




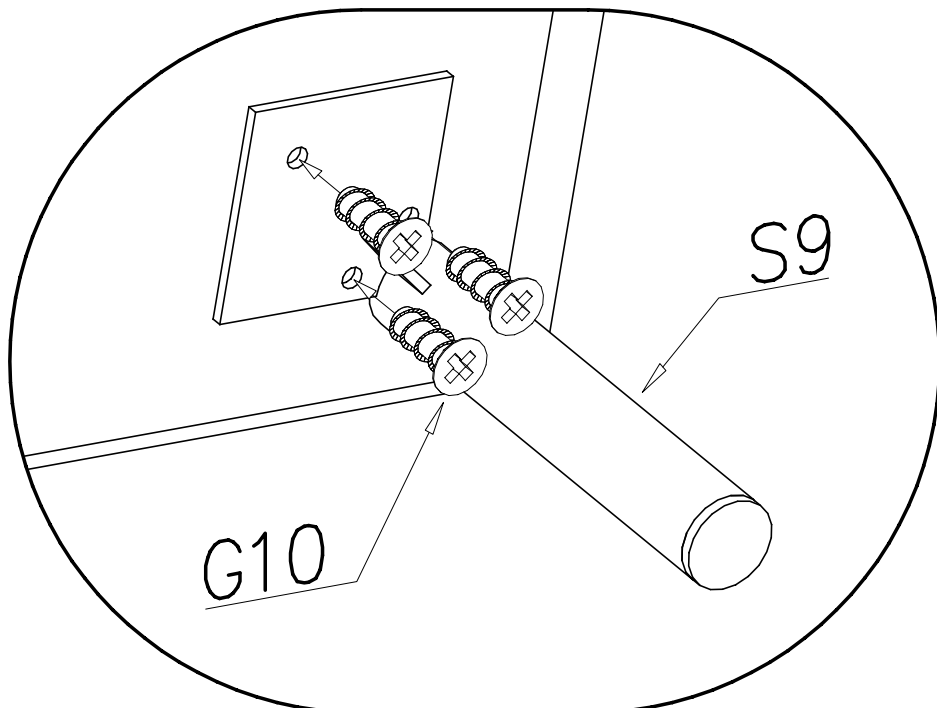
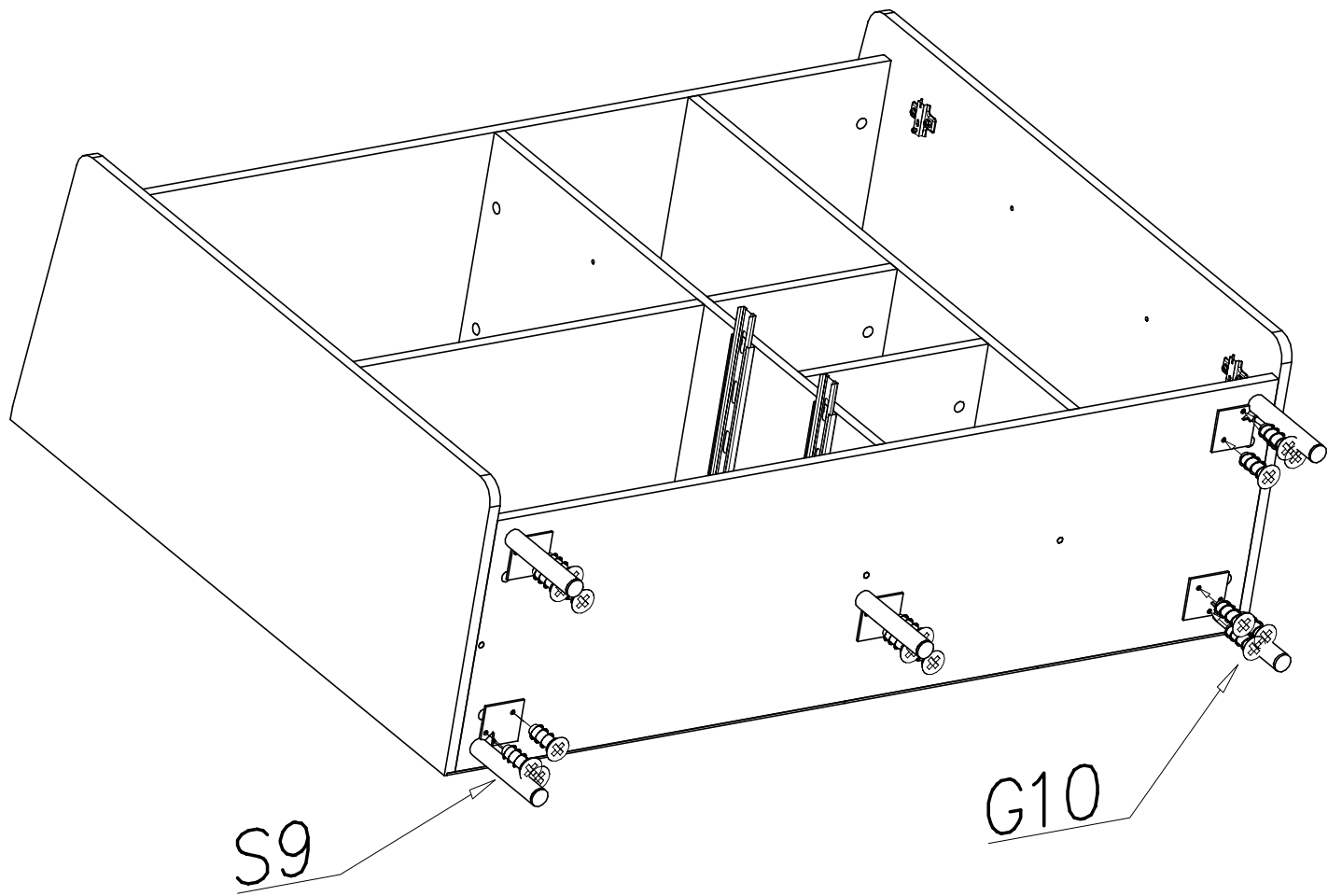
IV



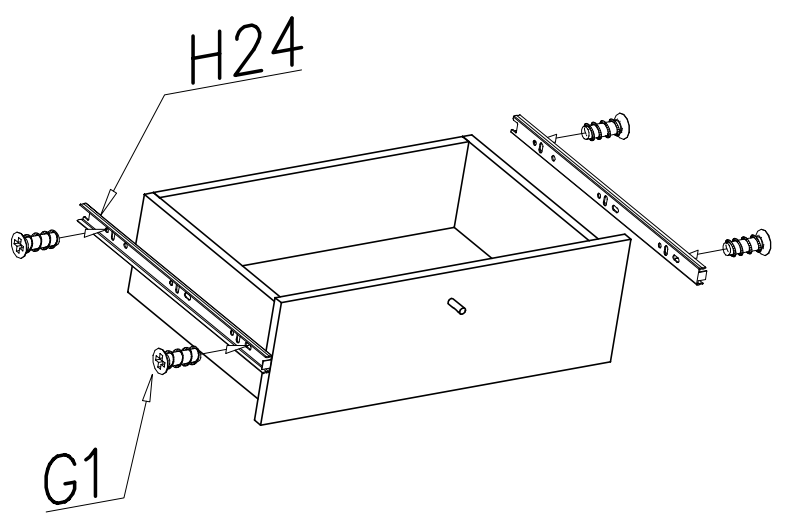
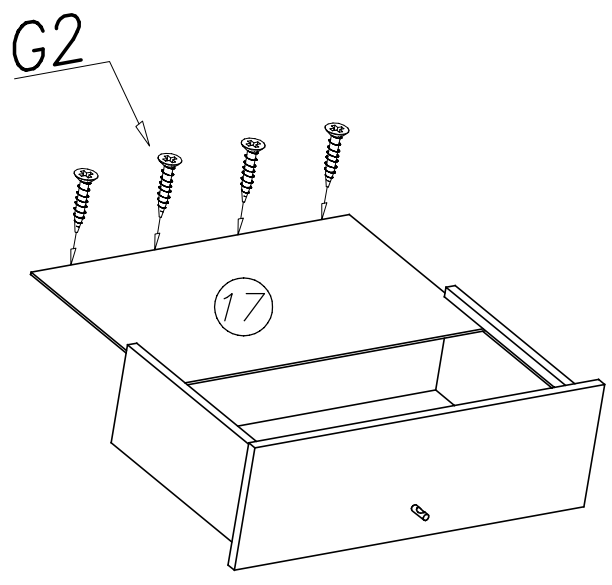
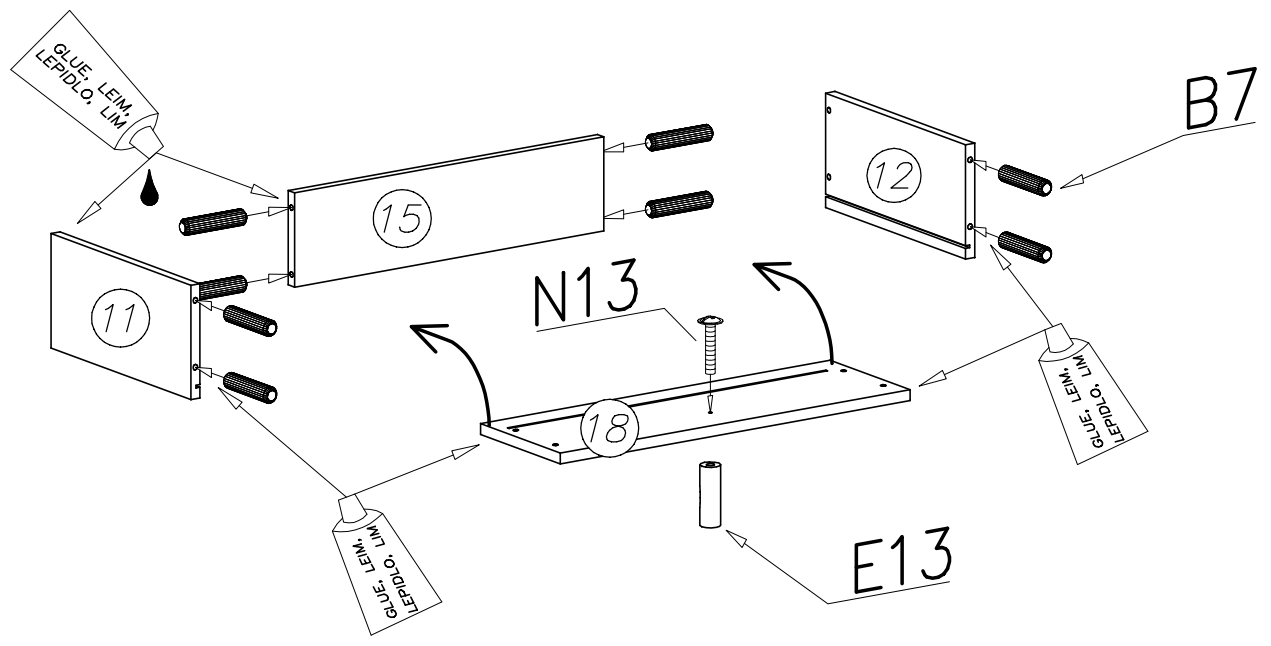
V

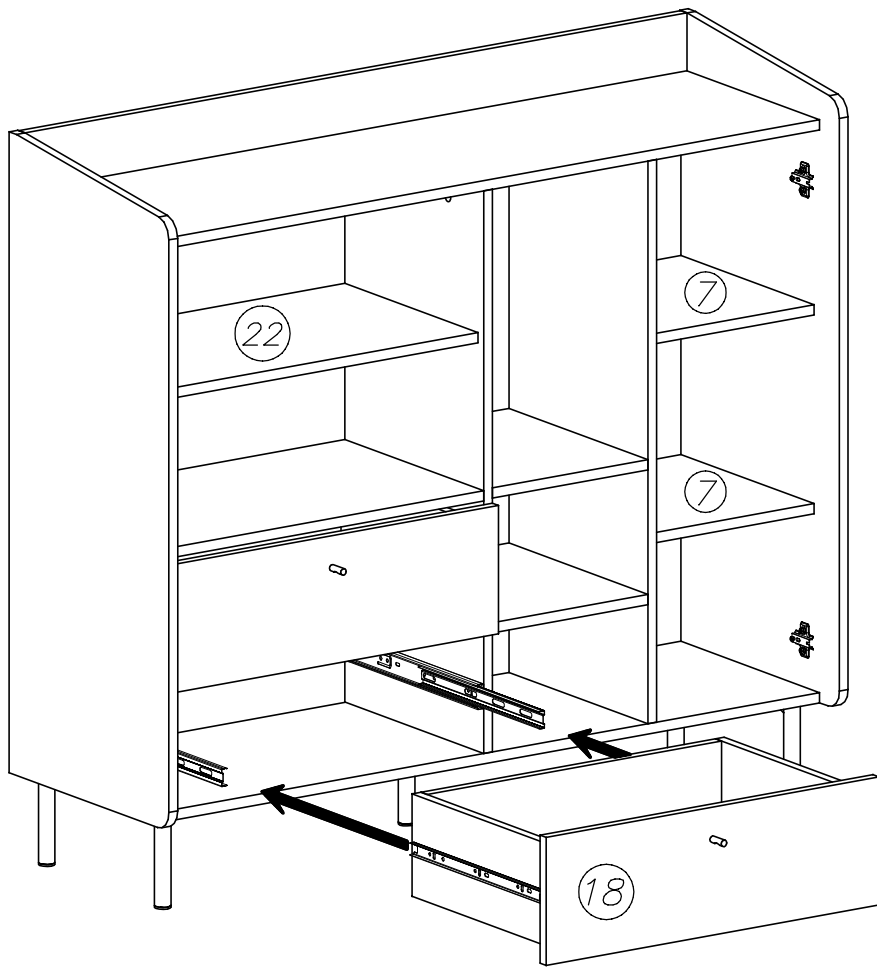


VI

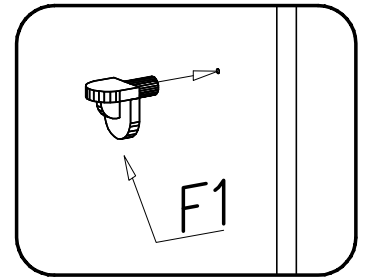


VII

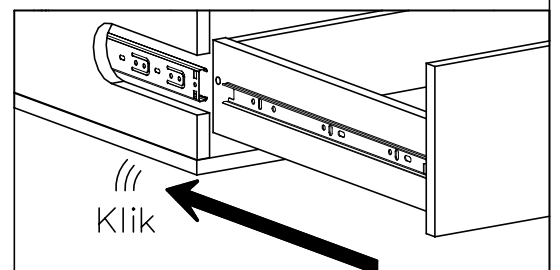
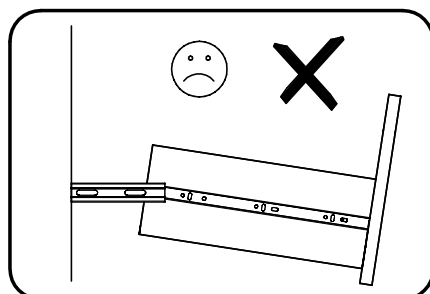
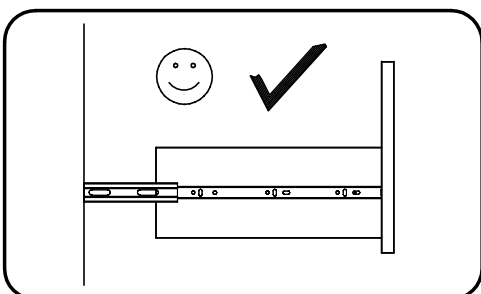
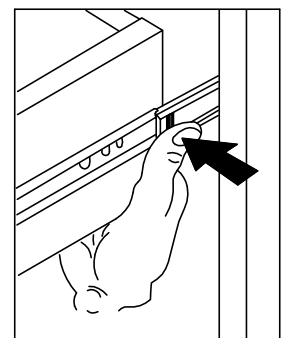
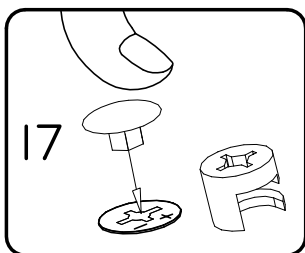
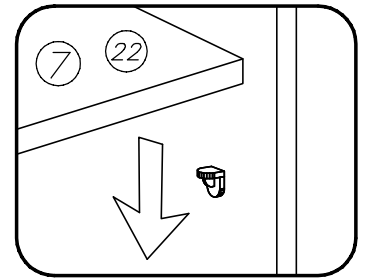




1



2



IX

