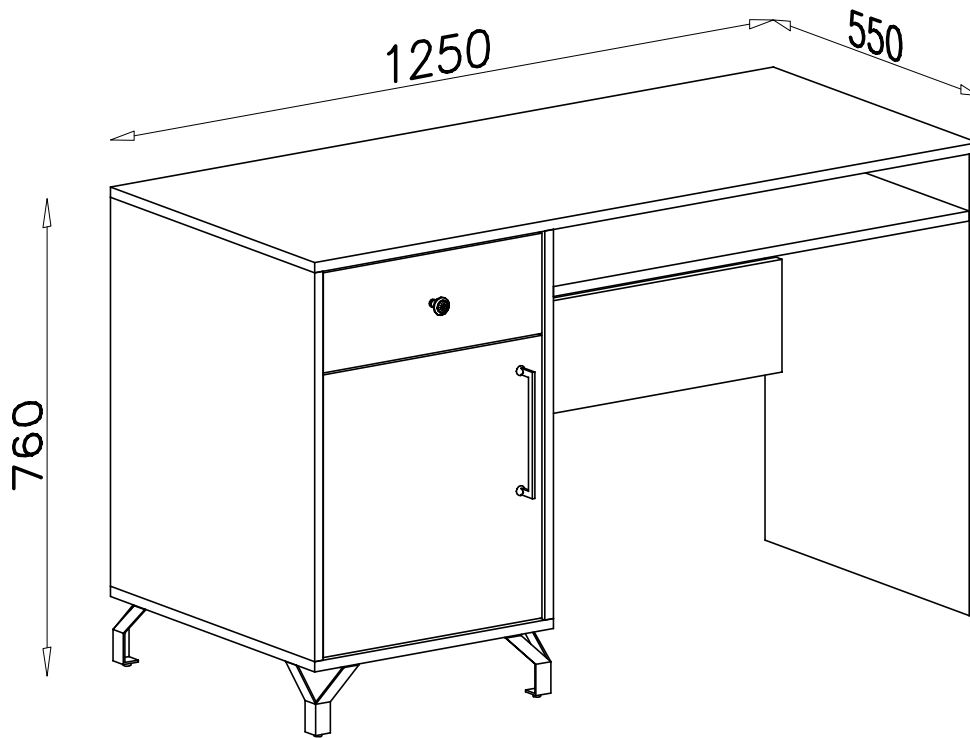
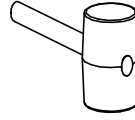
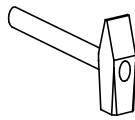
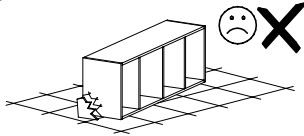
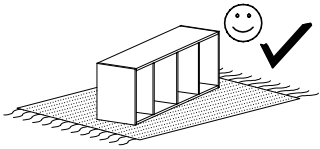
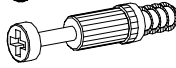
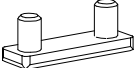


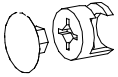

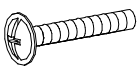
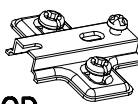
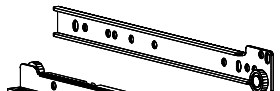
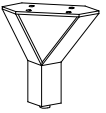

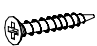
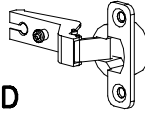
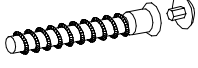

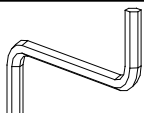
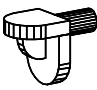

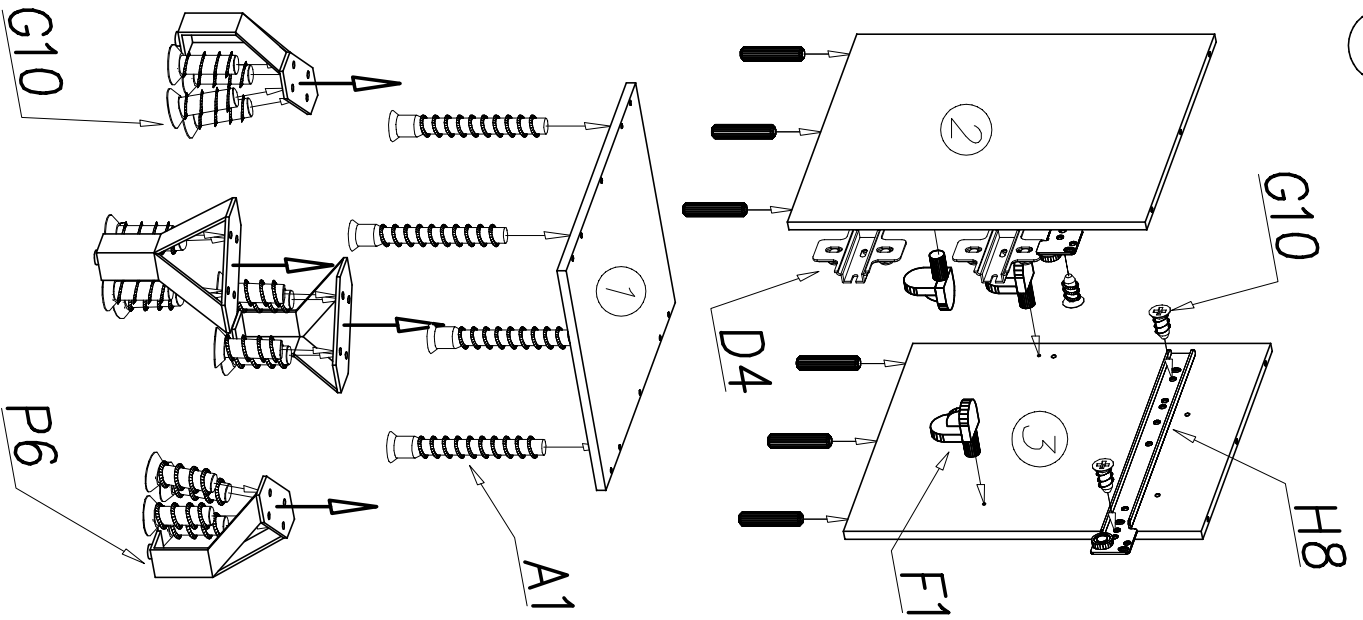


BERGEN BE 9

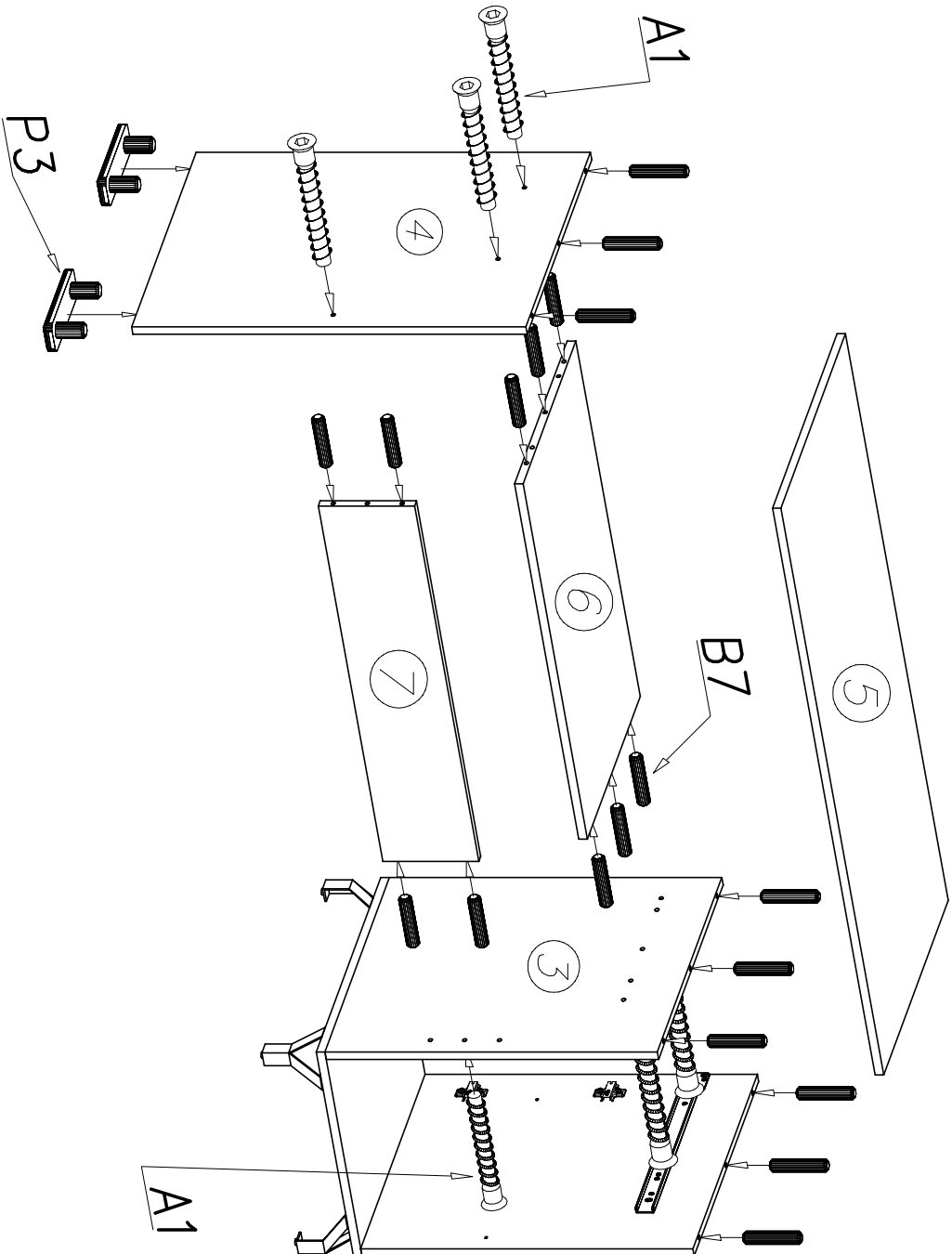
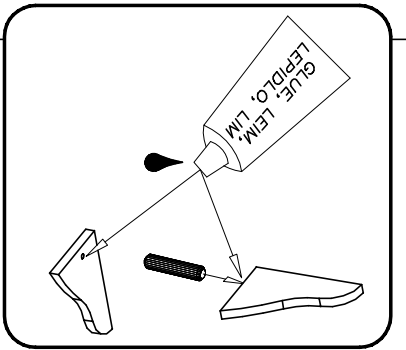


	K15  x2	P3  x2	E4  x1	E3  x1
K1  ø15x12 x2	W1  GLUE, LEIM, LEPIDLO, LIM x2	N13  M4x22 x3	D4  PZ350D x2	H8  400mm x1
P6  x4	G4  4x16 x10	G2  3x20 x20	C4  Z350D x2	
A1  ø7x50 x10	B7  ø8x30 x33	W2  x1	F1  x4	G10  6x13 x20

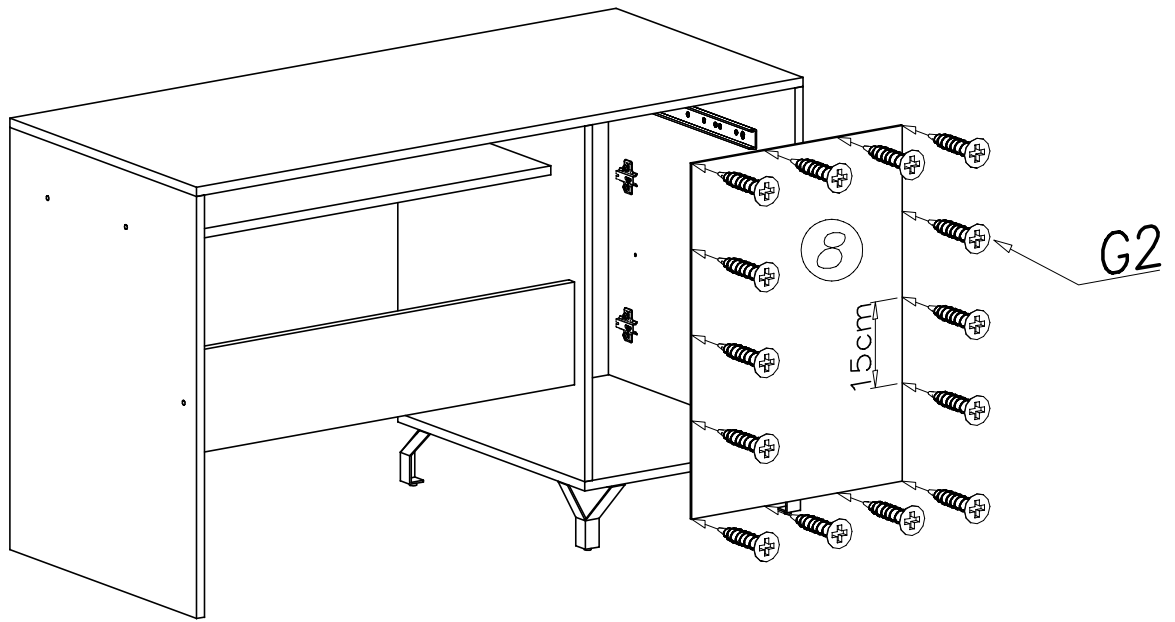
1



II



III



IV

