

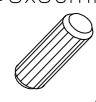
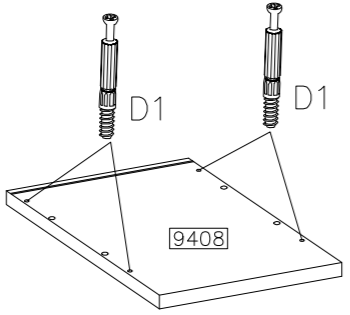
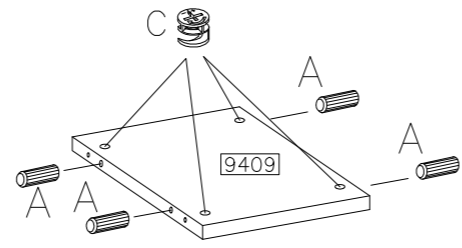
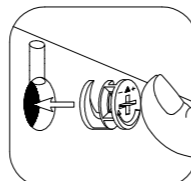
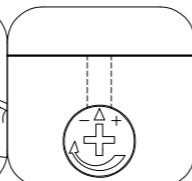


1



 D1	 C
4	4

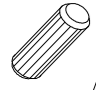

 A
4

$\phi 8 \times 30 \text{mm}$

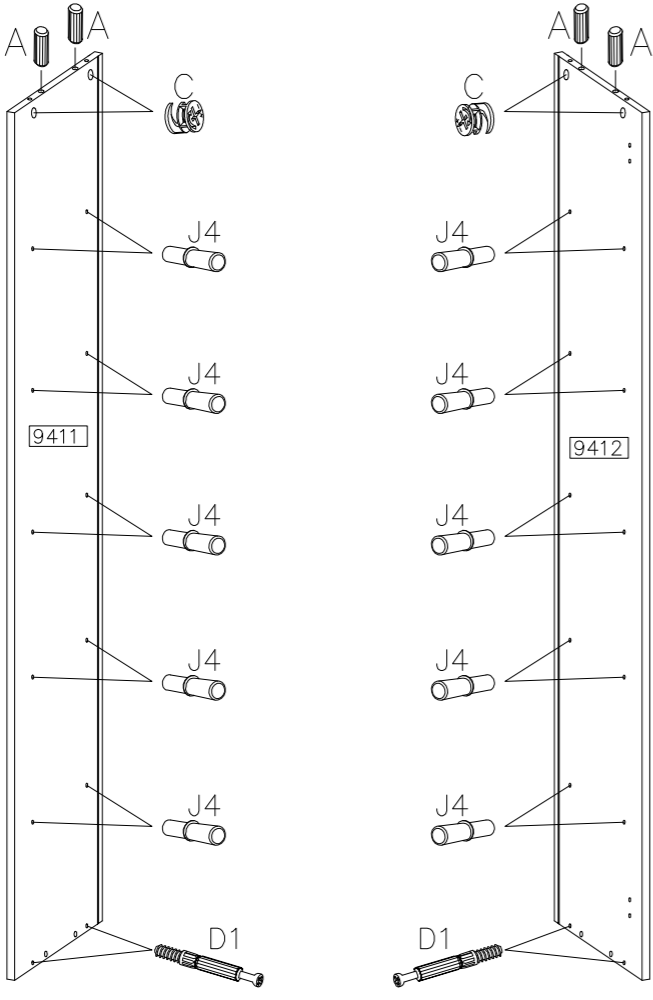
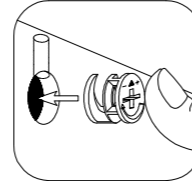
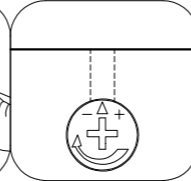





2

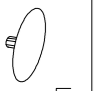
 D1	 J4
4	20

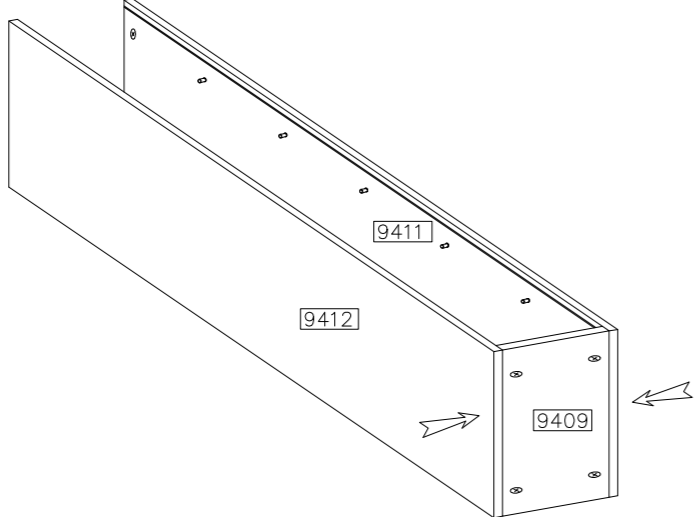
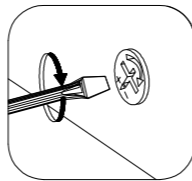

 A	 C
4	4

$\phi 8 \times 30 \text{mm}$ $\phi 15/12 \text{mm}$


3

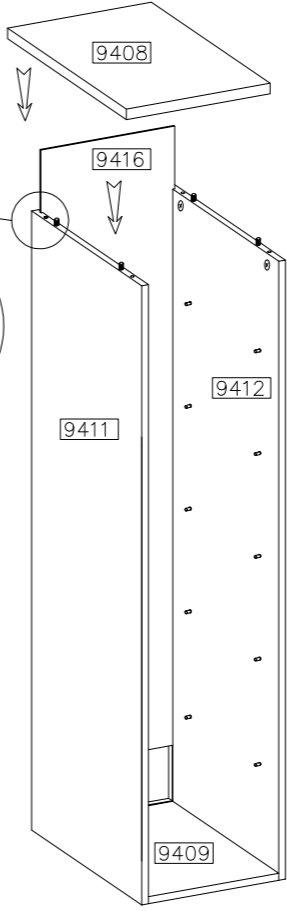
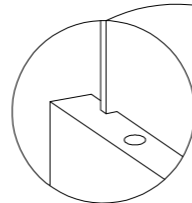
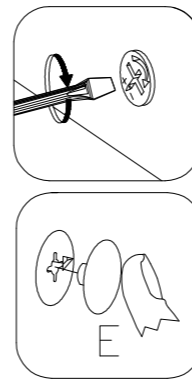
 E
4

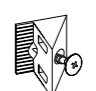
CANDY - C2 2/4

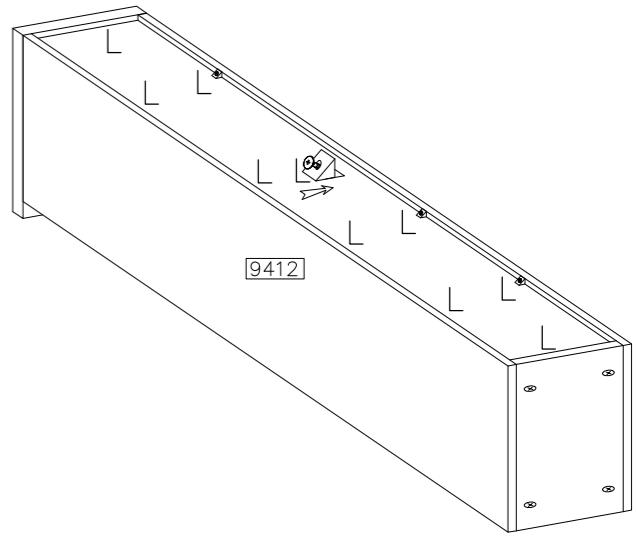
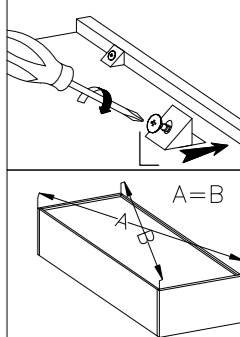
4

 E
4


5


 L
10

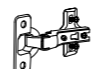




A=B

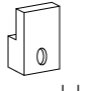
6


 S3
1
M4.0x30mm

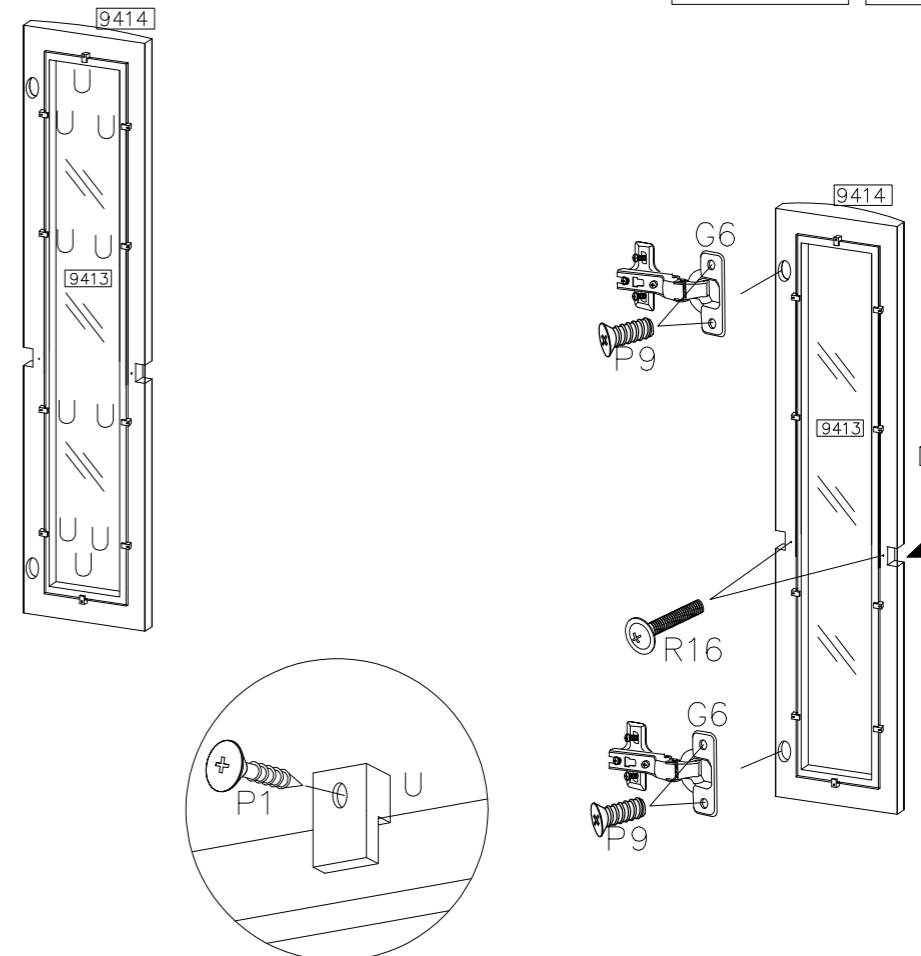
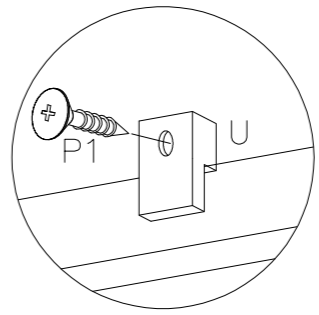
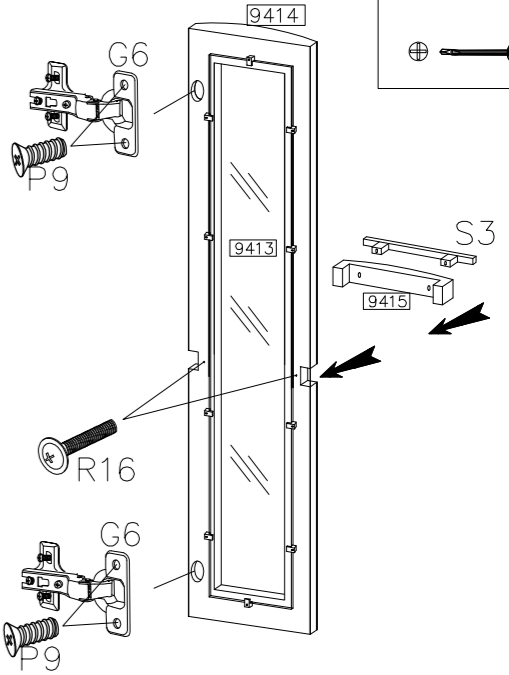
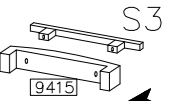
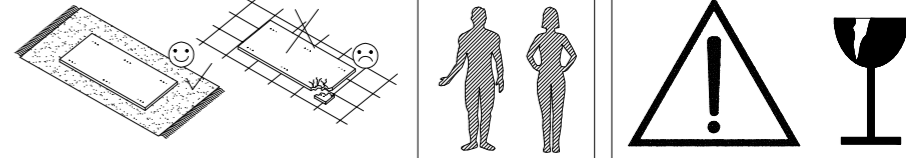
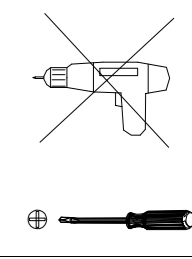
 R16
2
$\phi 35 / \text{KR}-0$

 G6
2
5.0x13mm

 P9
4

 U
10
$\phi 3.0 \times 16 \text{mm}$

 P1
10

CANDY - C2 3/4