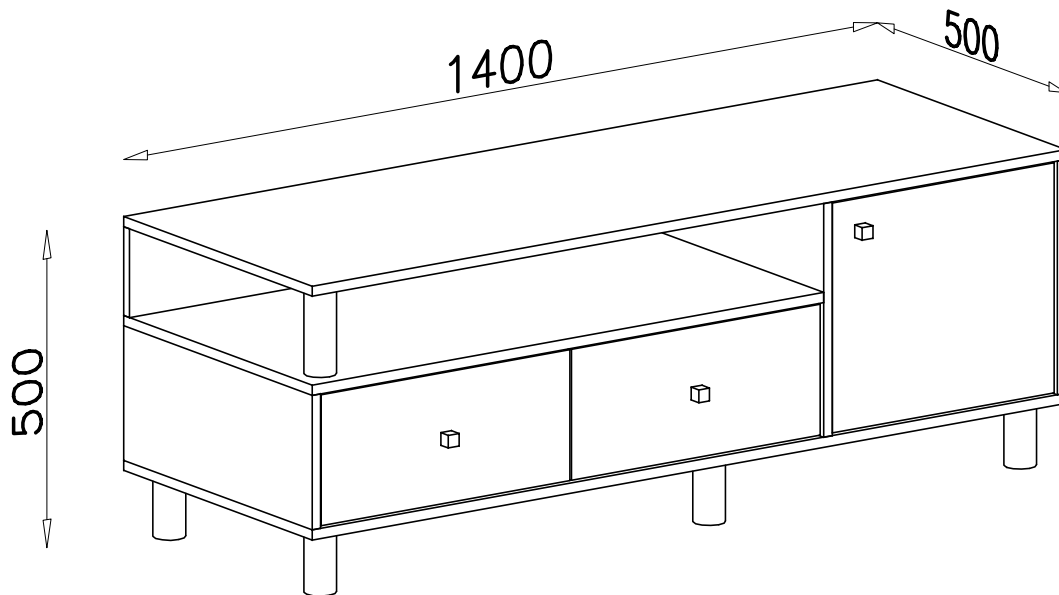
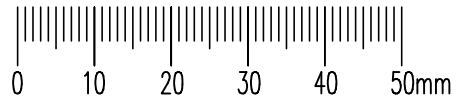
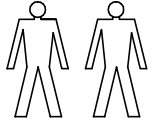
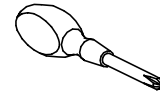
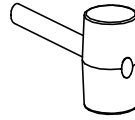
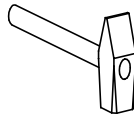
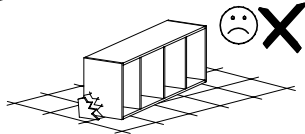
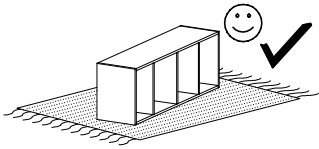


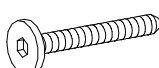



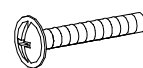
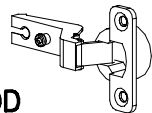
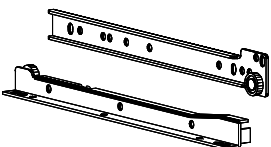
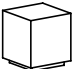

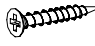
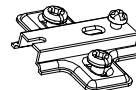


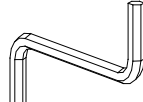


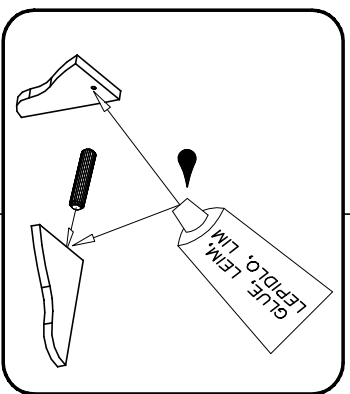
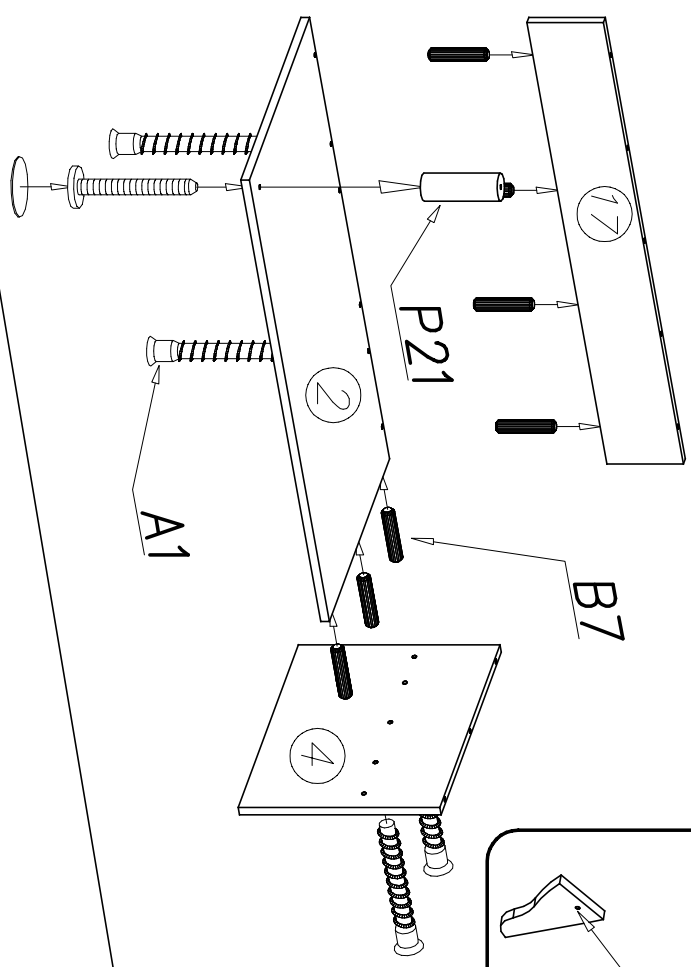


FARO FR 8

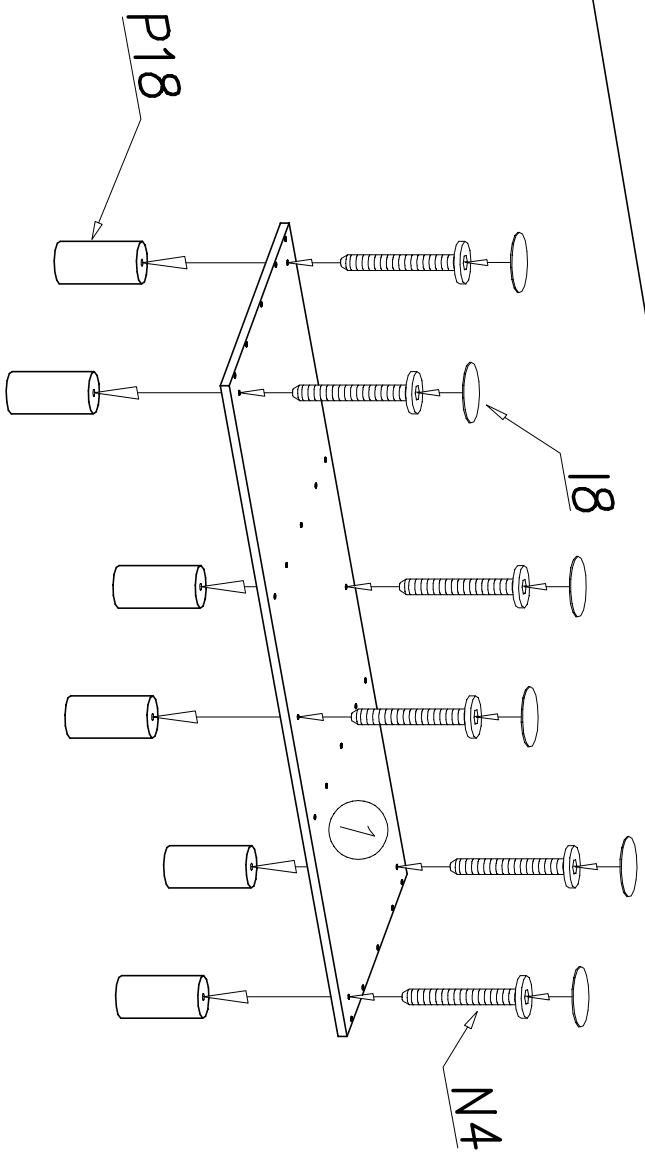
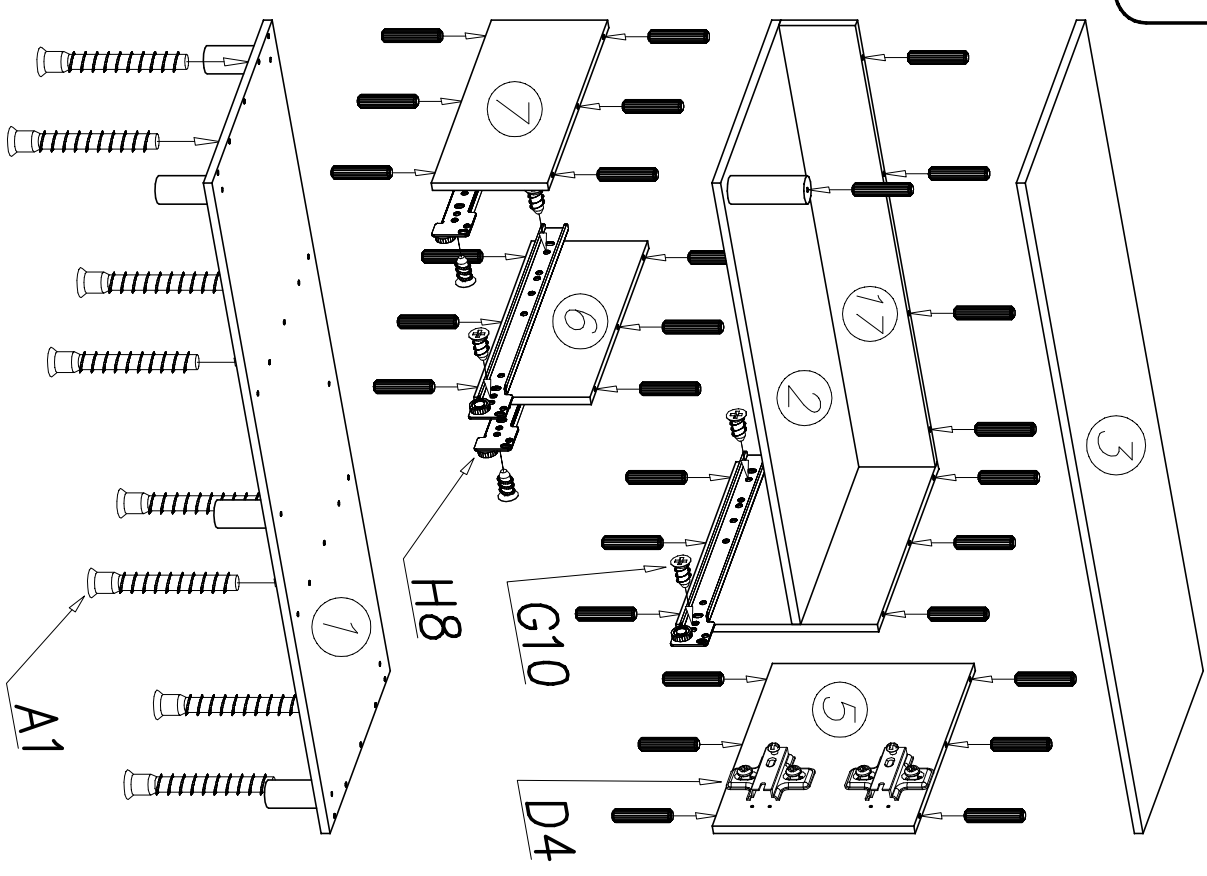


| | | | | |
|---|---|---|---|--|
| P21  140mm x1 | I8  ø20 x7 | N4  M6x40 x7 | F1  x1 | |
| P18  100mm x6 | W1  GLUE, LEIM, LEPIDLO, LIM x3 | N13  M4x22 x3 | C4  Z350D x2 | H8  400mm x2 |
| E38  x3 | G4  4x16 x16 | G2  3x20 x35 | D4  PZ350D x2 | |
| A1  ø7x50 x10 | B7  ø8x30 x52 | W2  x1 | S2  x3 | G10  6x13 x8 |

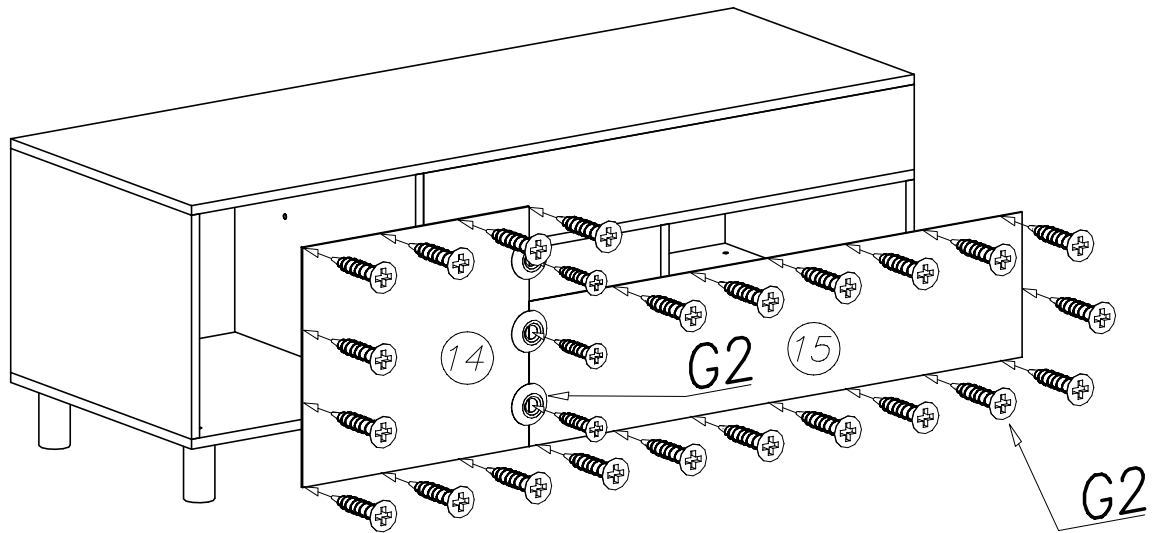
I



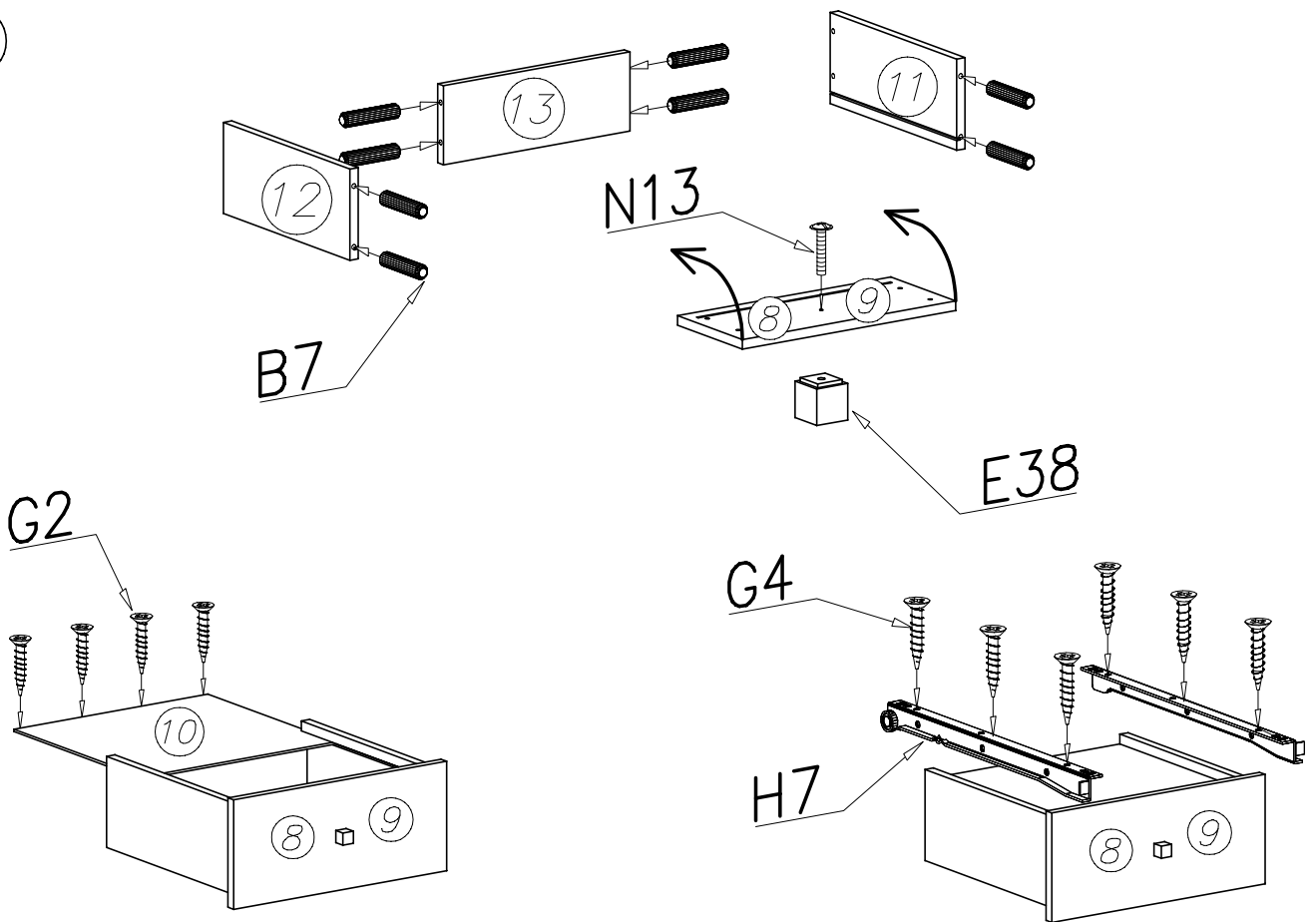
II



III



IV



V

