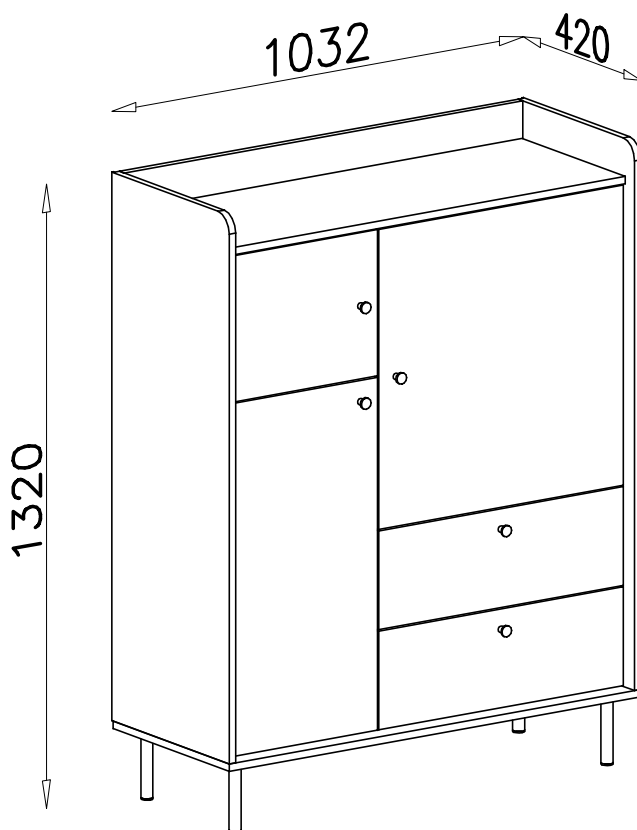
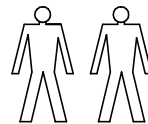
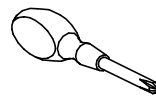
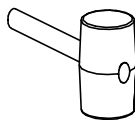
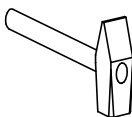
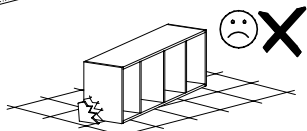
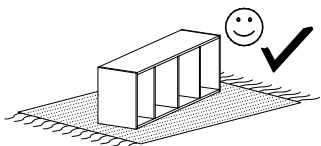


# GRANDE GR 1



I7  
ø18 x14

K5  
x14

K1  
x14

S2  
x11

S9  
x4

P6  
x4

N13  
M4x22 x5

W1  
GLUE, LEIM, LEPIDLO, LIM x3

D4  
PZ350D x6

C4  
Z350D x6

E11  
x5

G4  
4x16 x24

G2  
3x20 x50

F1  
x13

H24  
350mm x2

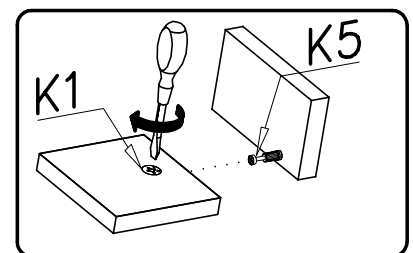
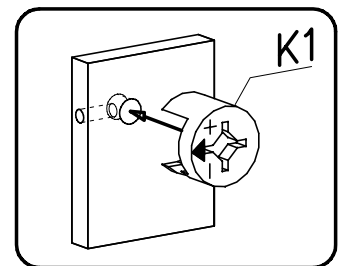
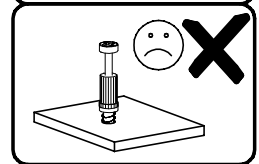
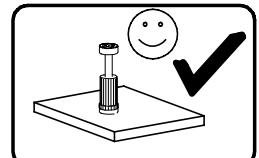
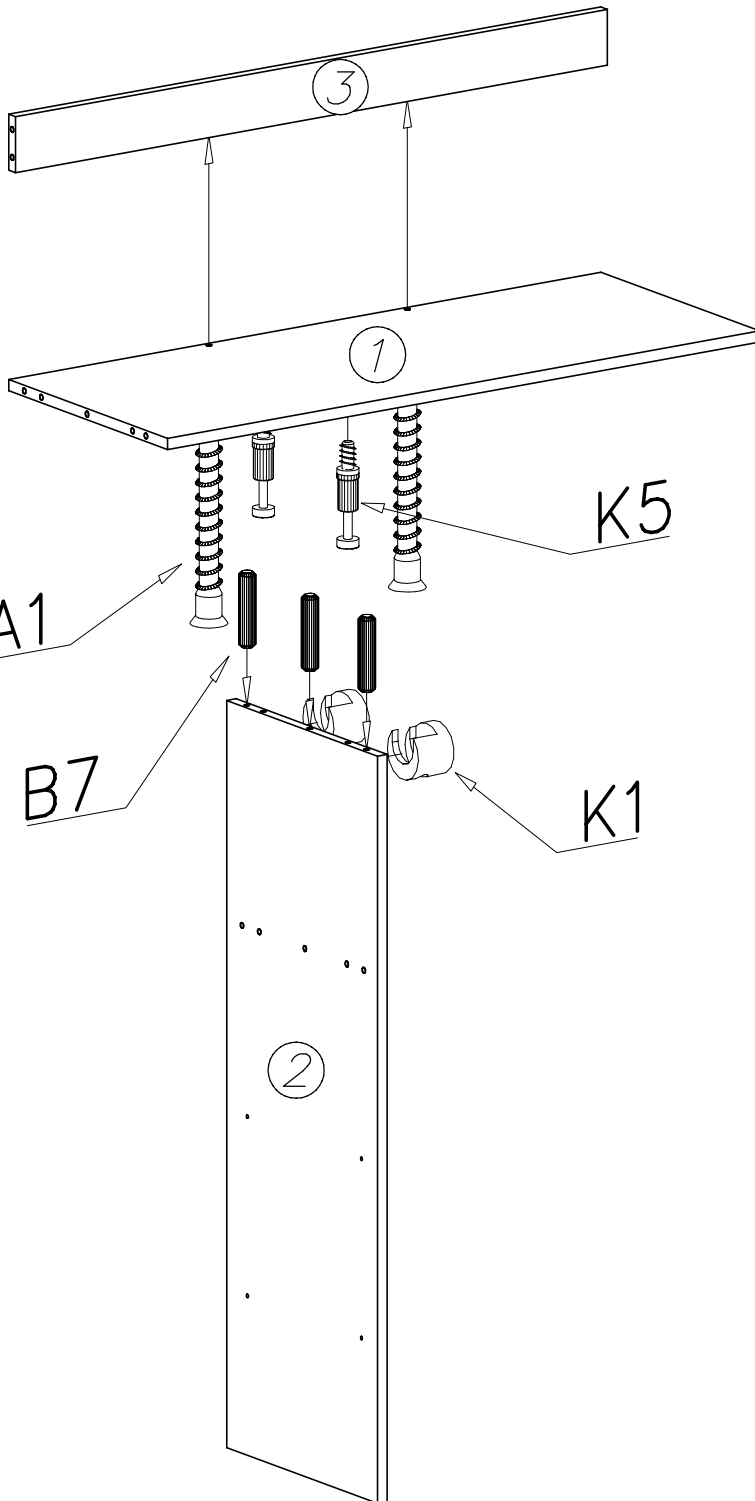
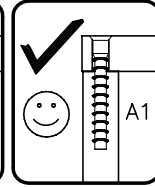
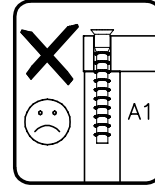
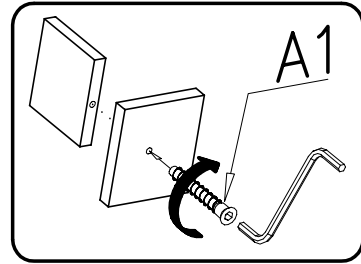
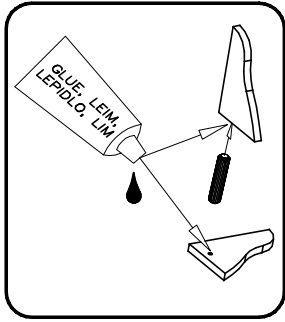
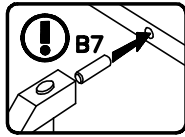
A1  
ø7x50 x5

B7  
ø8x30 x47

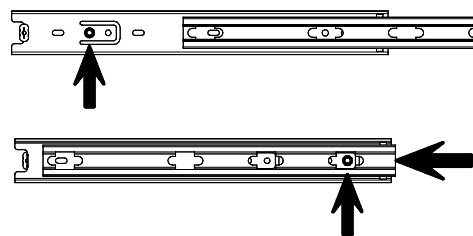
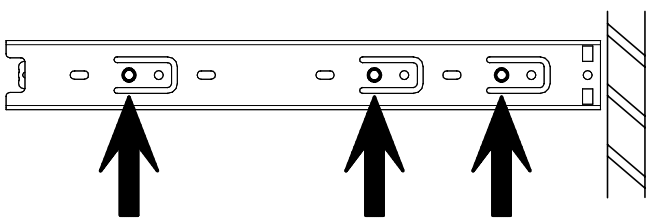
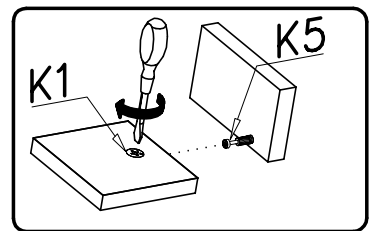
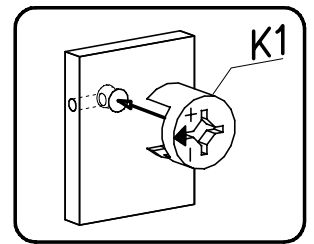
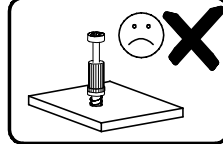
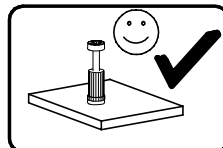
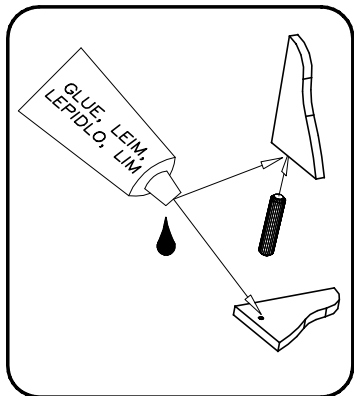
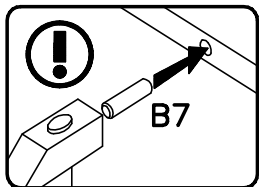
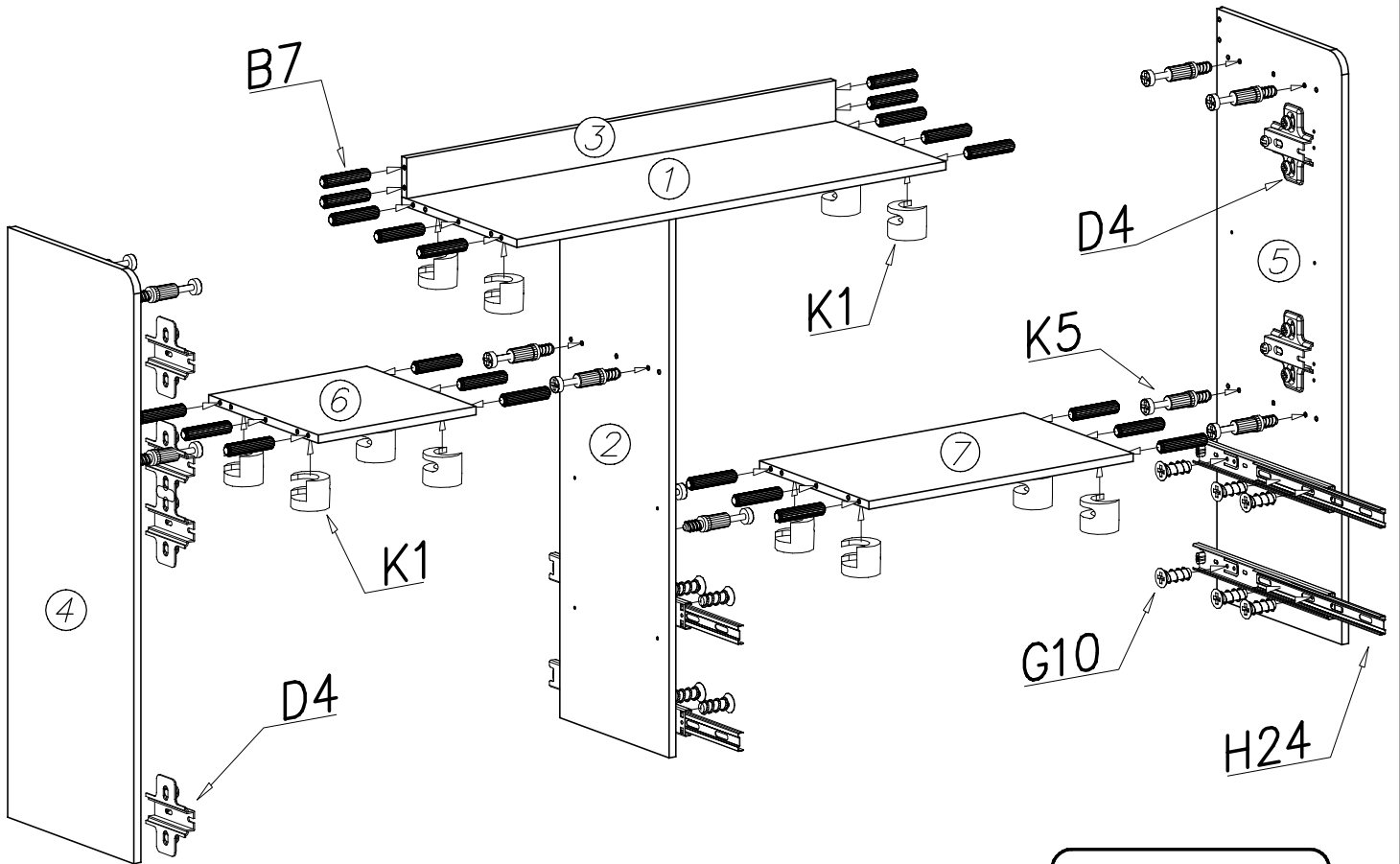
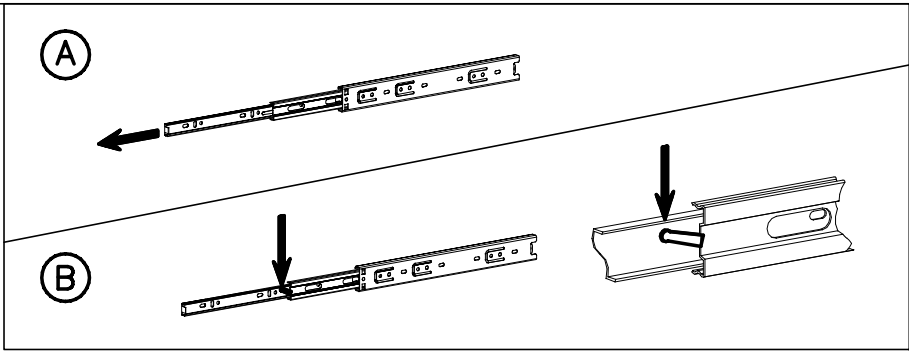
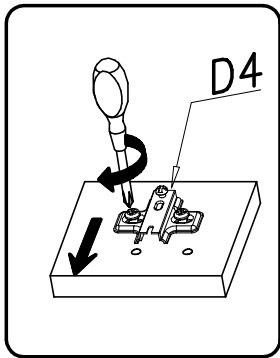
W2  
x1

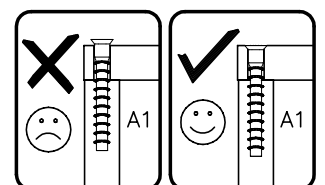
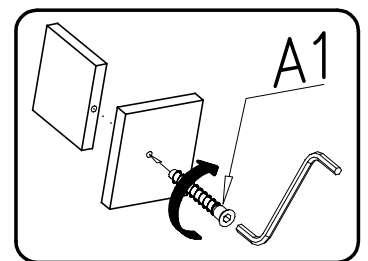
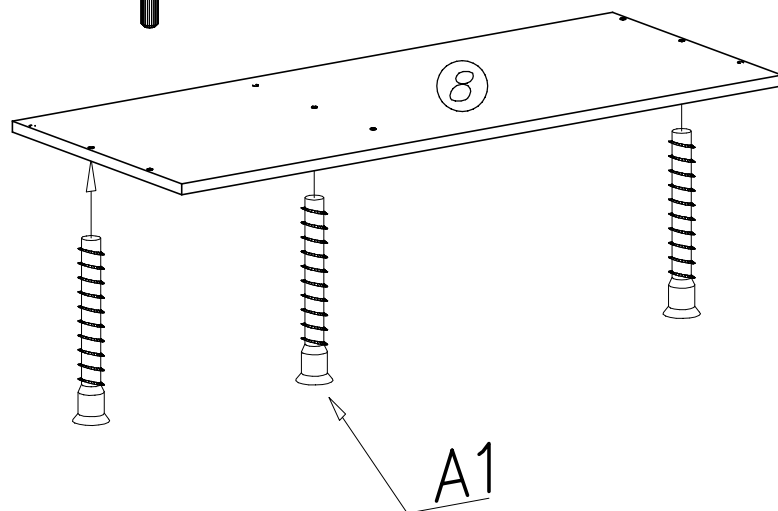
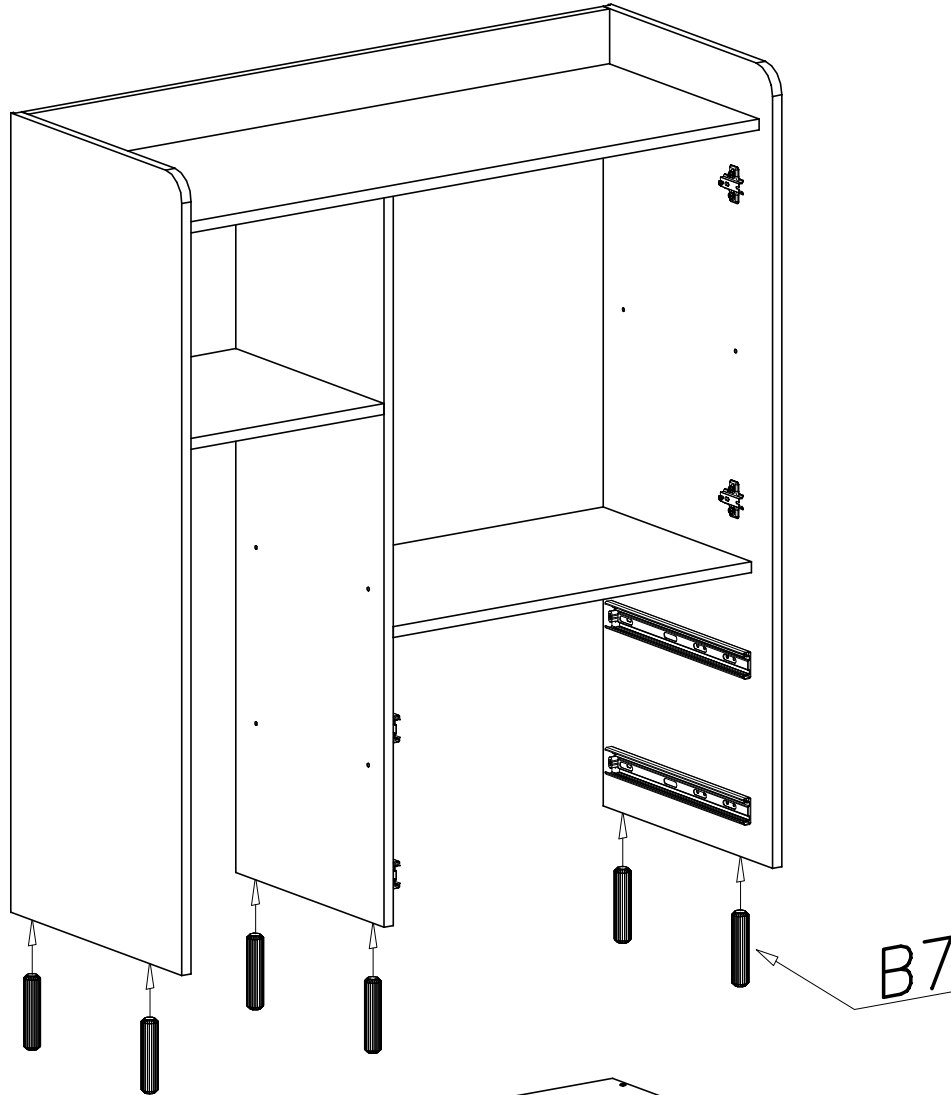
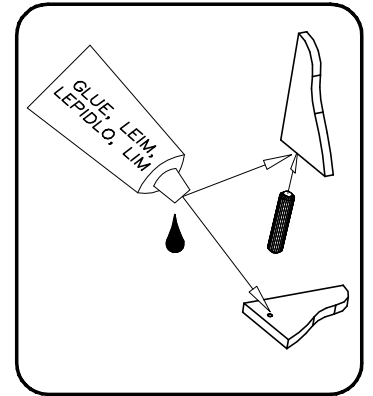
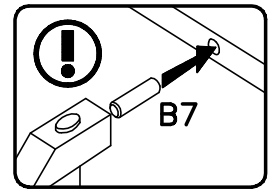
G1  
4x13 x20

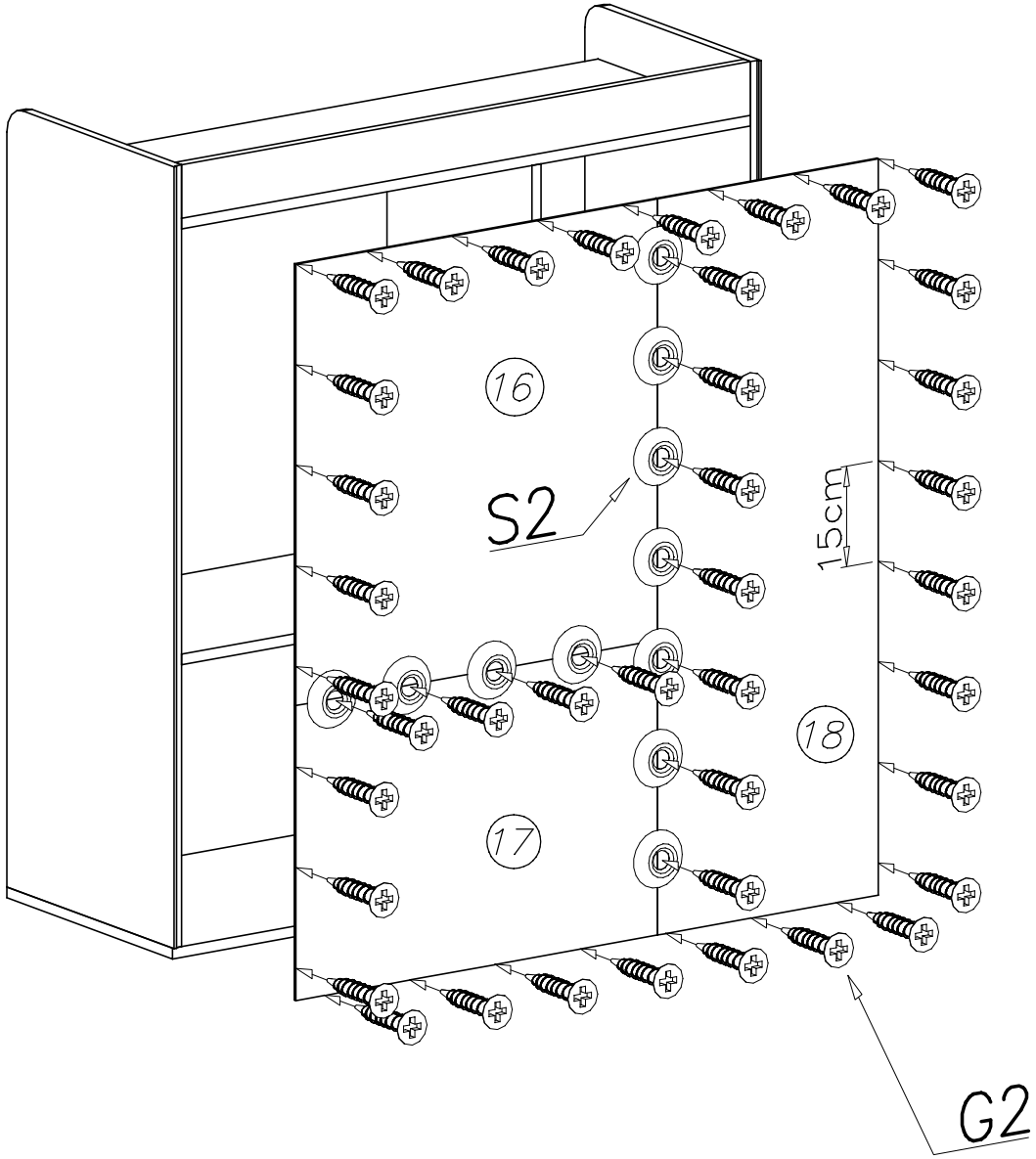
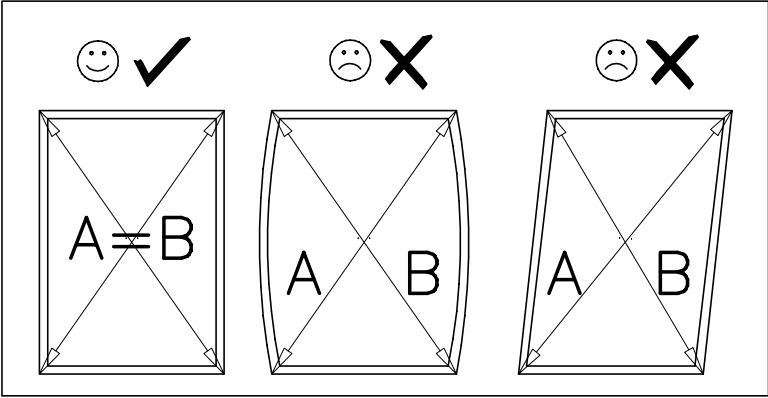
I



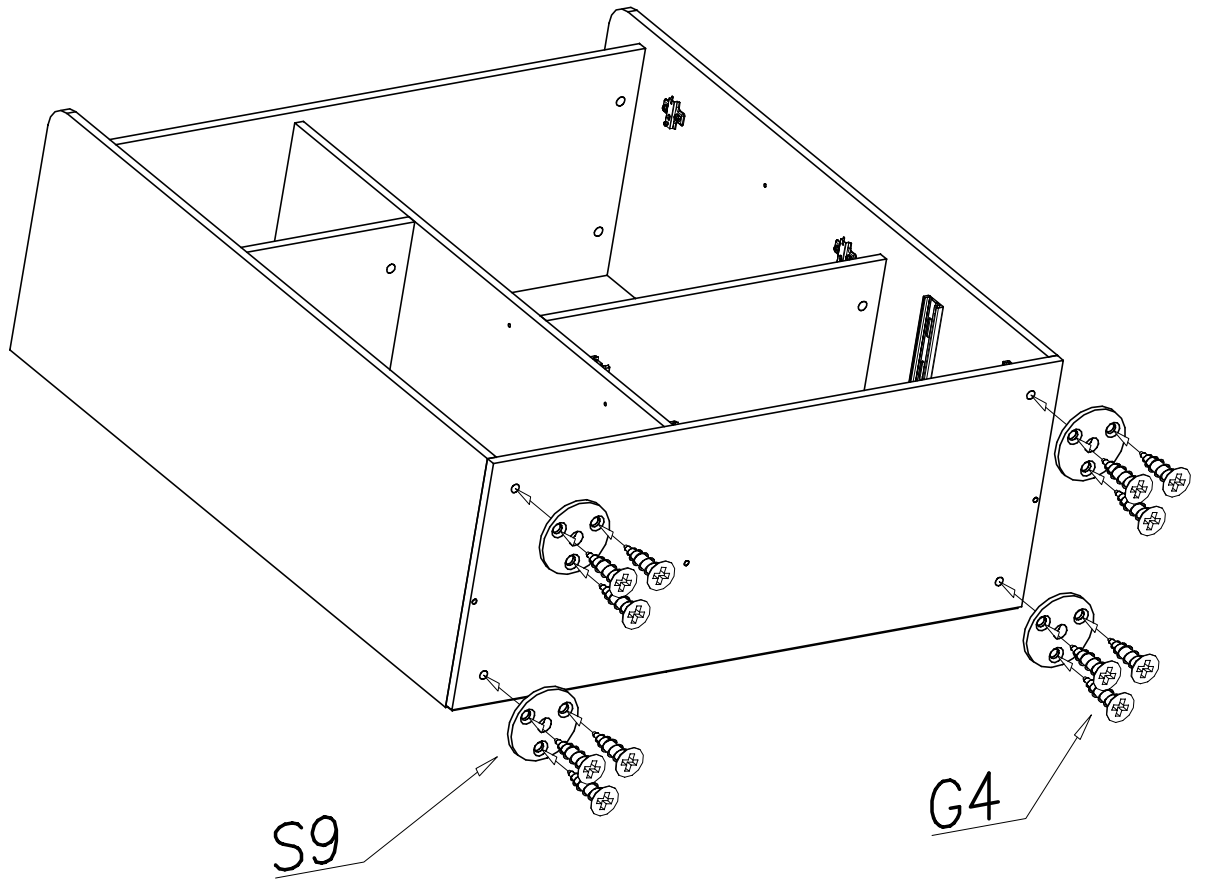
II



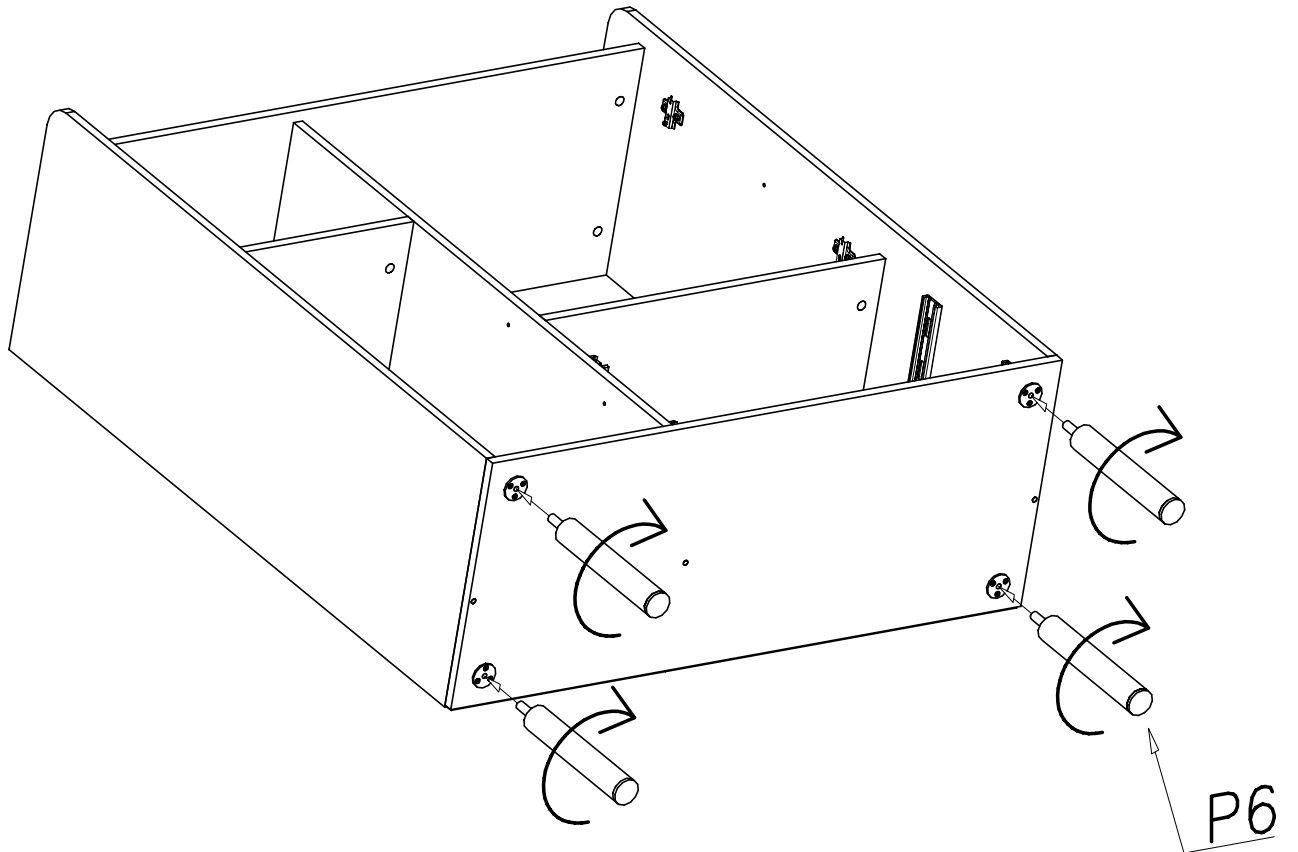




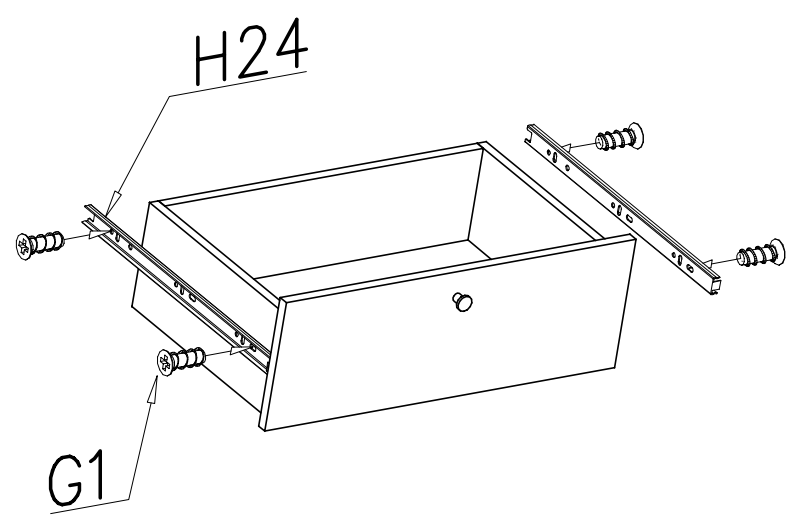
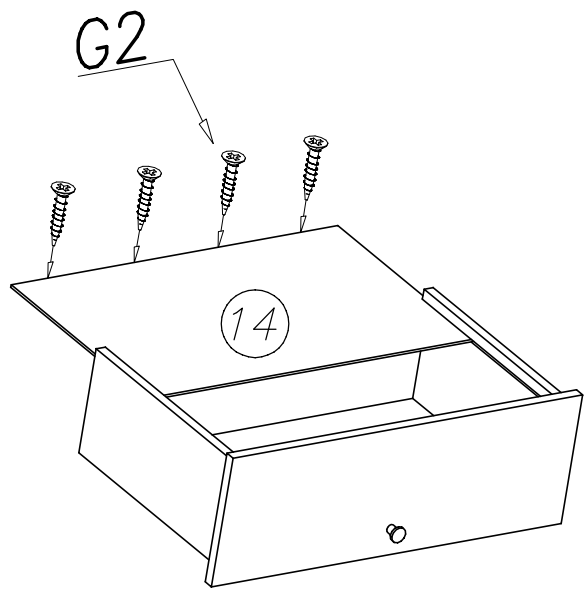
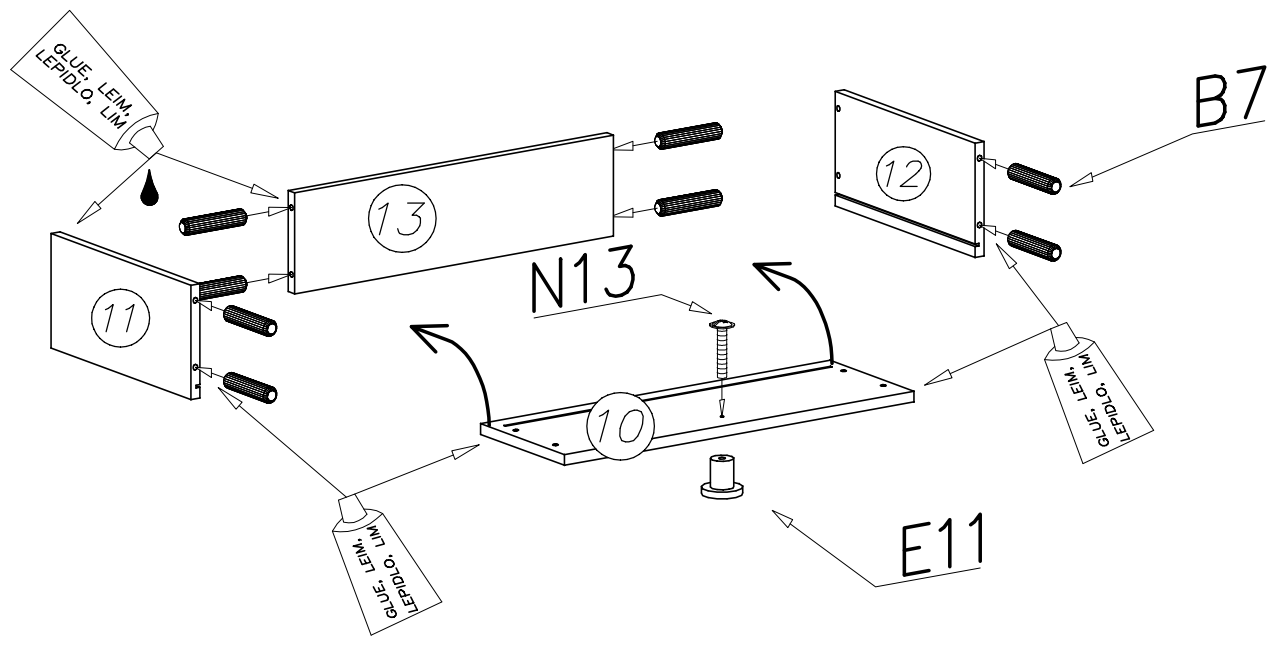
V

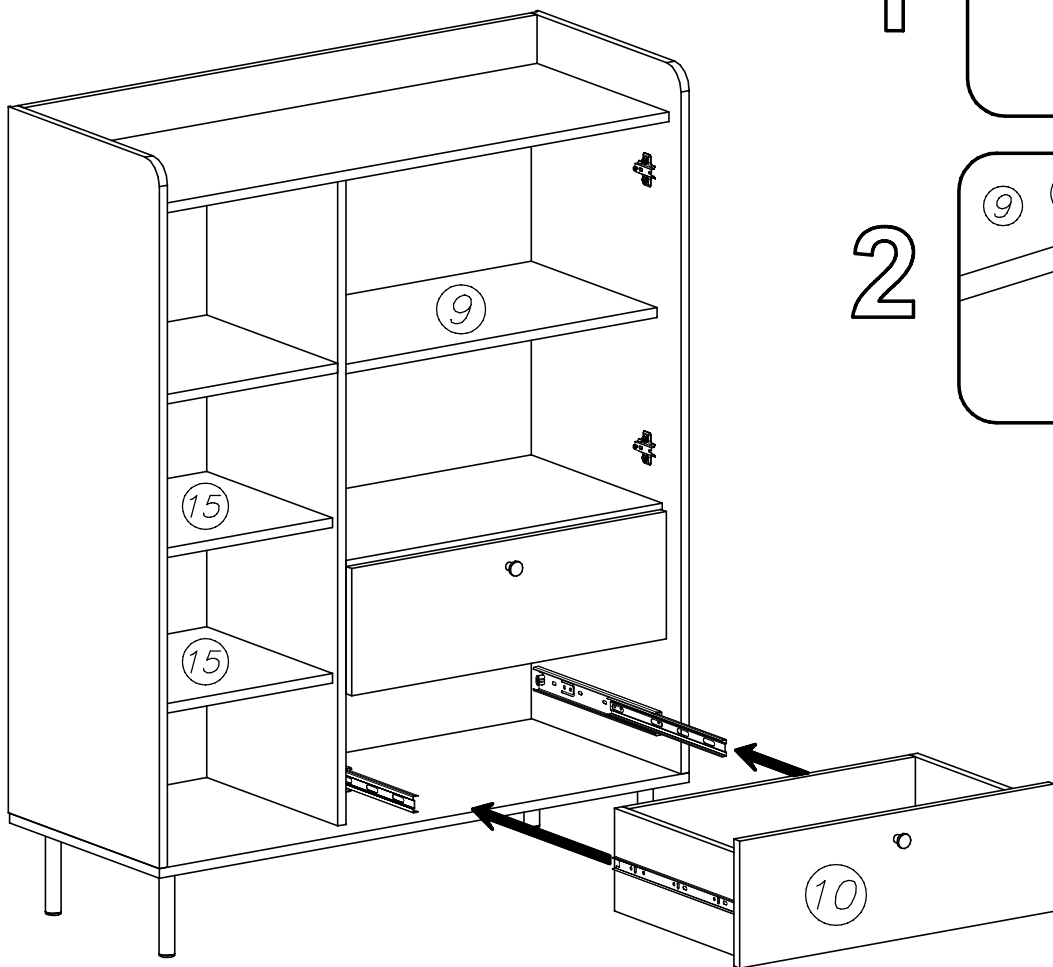


VI

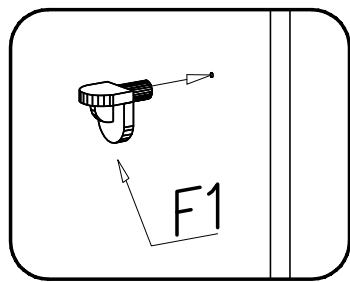


VII

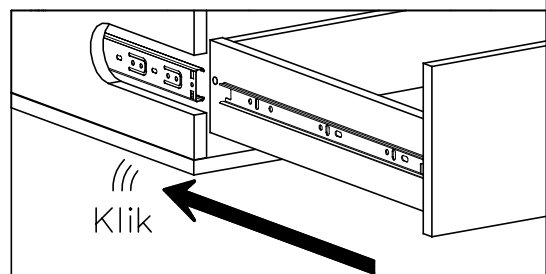
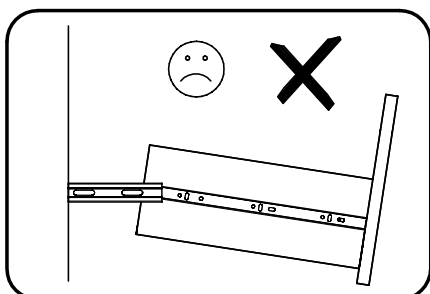
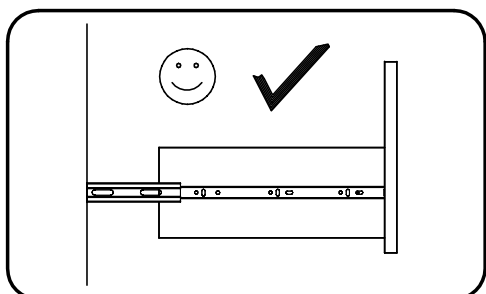
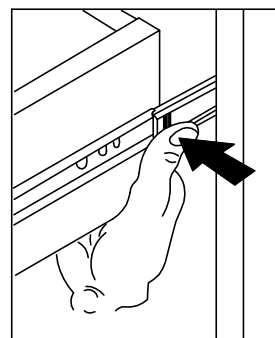
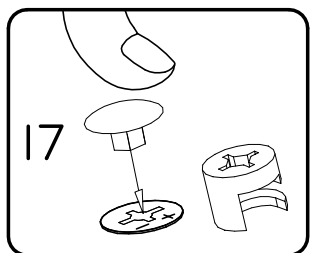
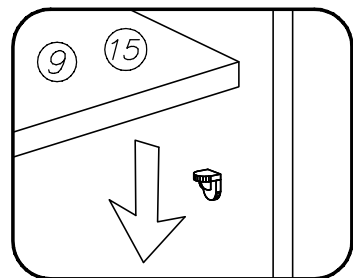




1



2





IX

