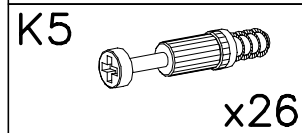
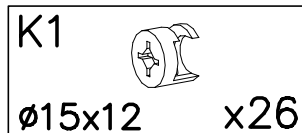
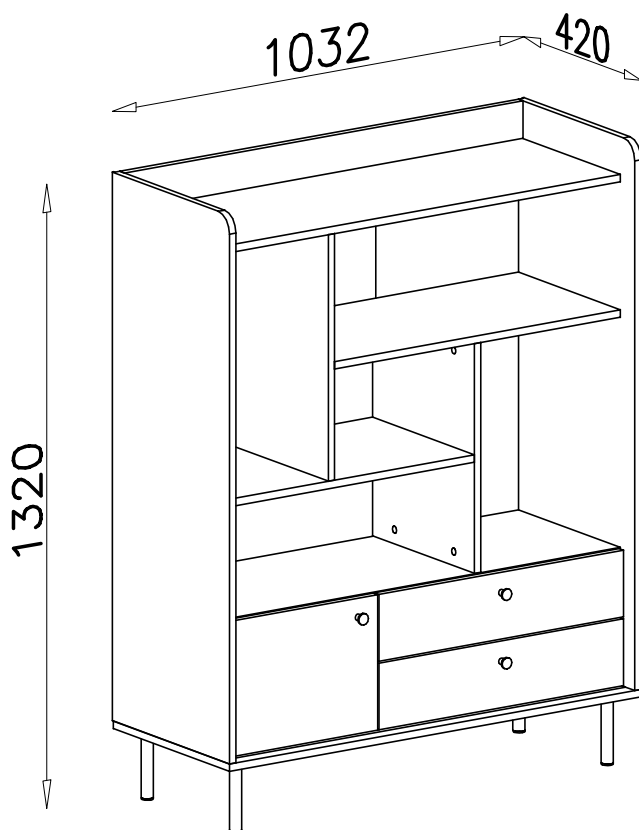
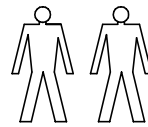
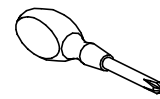
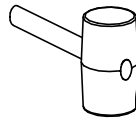
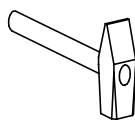
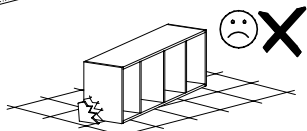
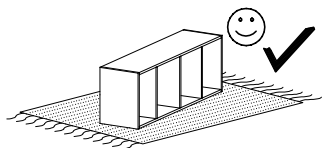
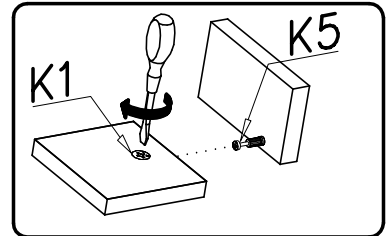
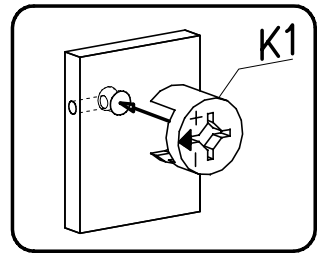
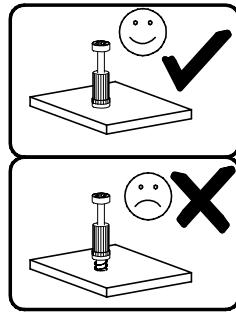
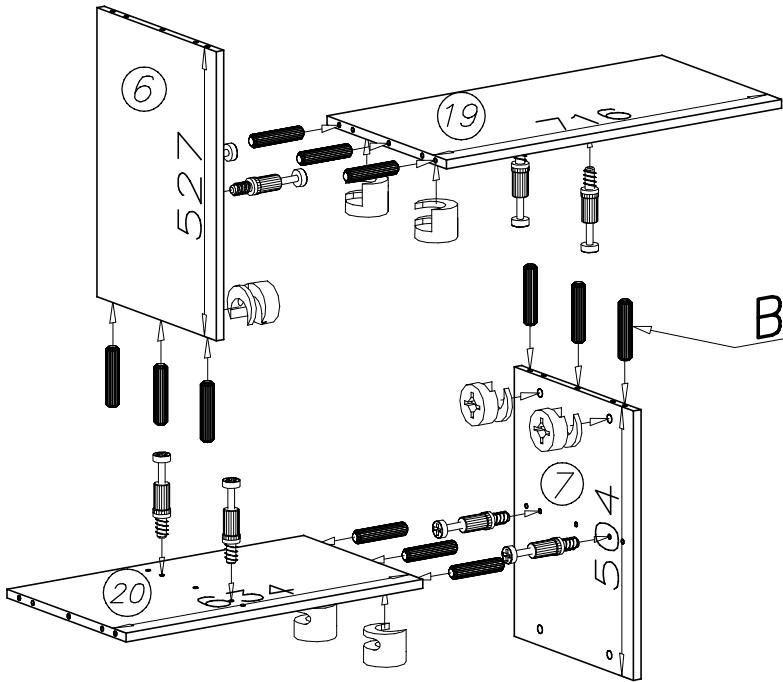


GRANDE GR 3

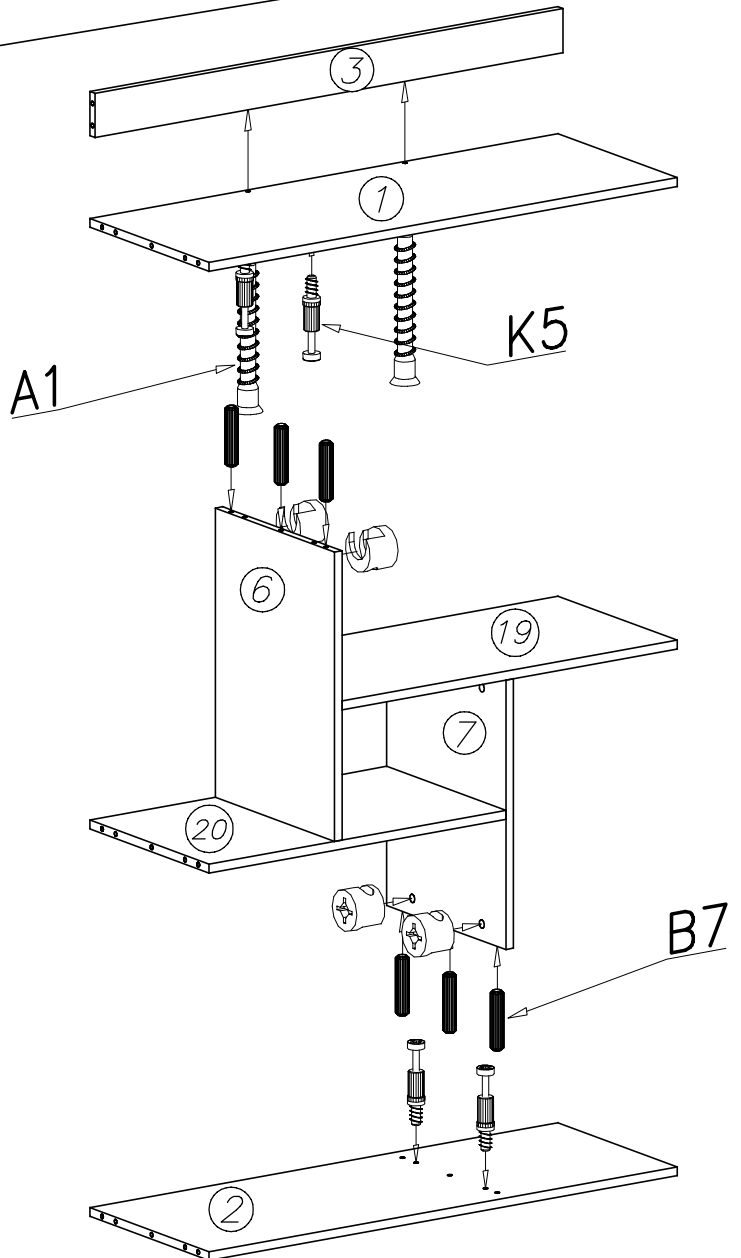
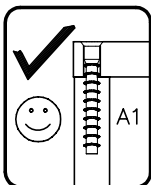
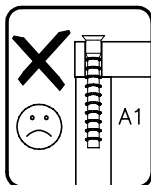
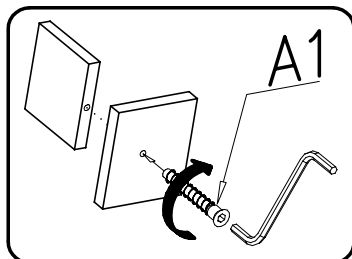
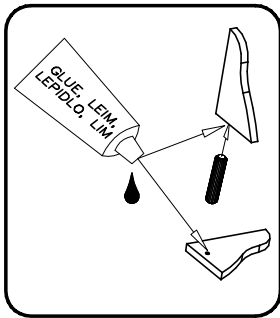
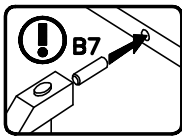


S1 275mm x1	S2 x17	S9 x4	I7 ø18 x26
N13 M4x22 x3	W1 GLUE, LEIM, LEPIDLO, LIM x4	D4 PZ350D x2	G1 4x13 x20
E11 x3	G4 4x16 x16	G2 3x20 x50	P6 x4
A1 ø7x50 x5	B7 ø8x30 x65	W2 x1	H24 350mm x2

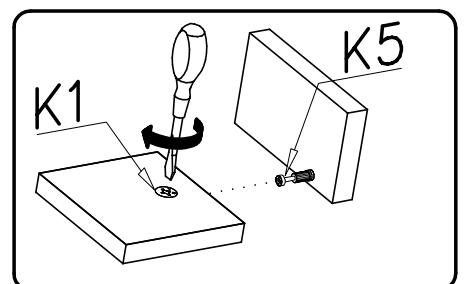
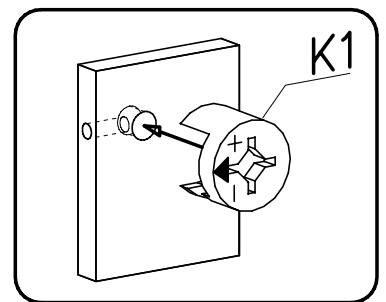
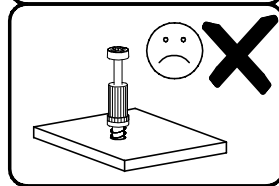
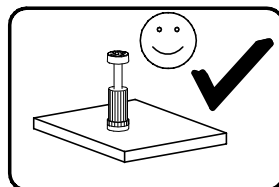
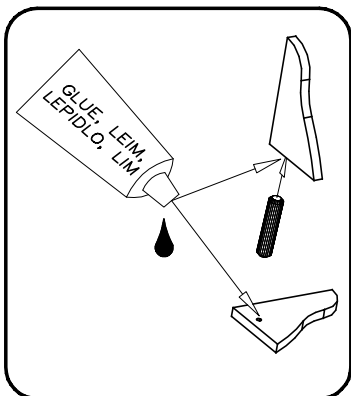
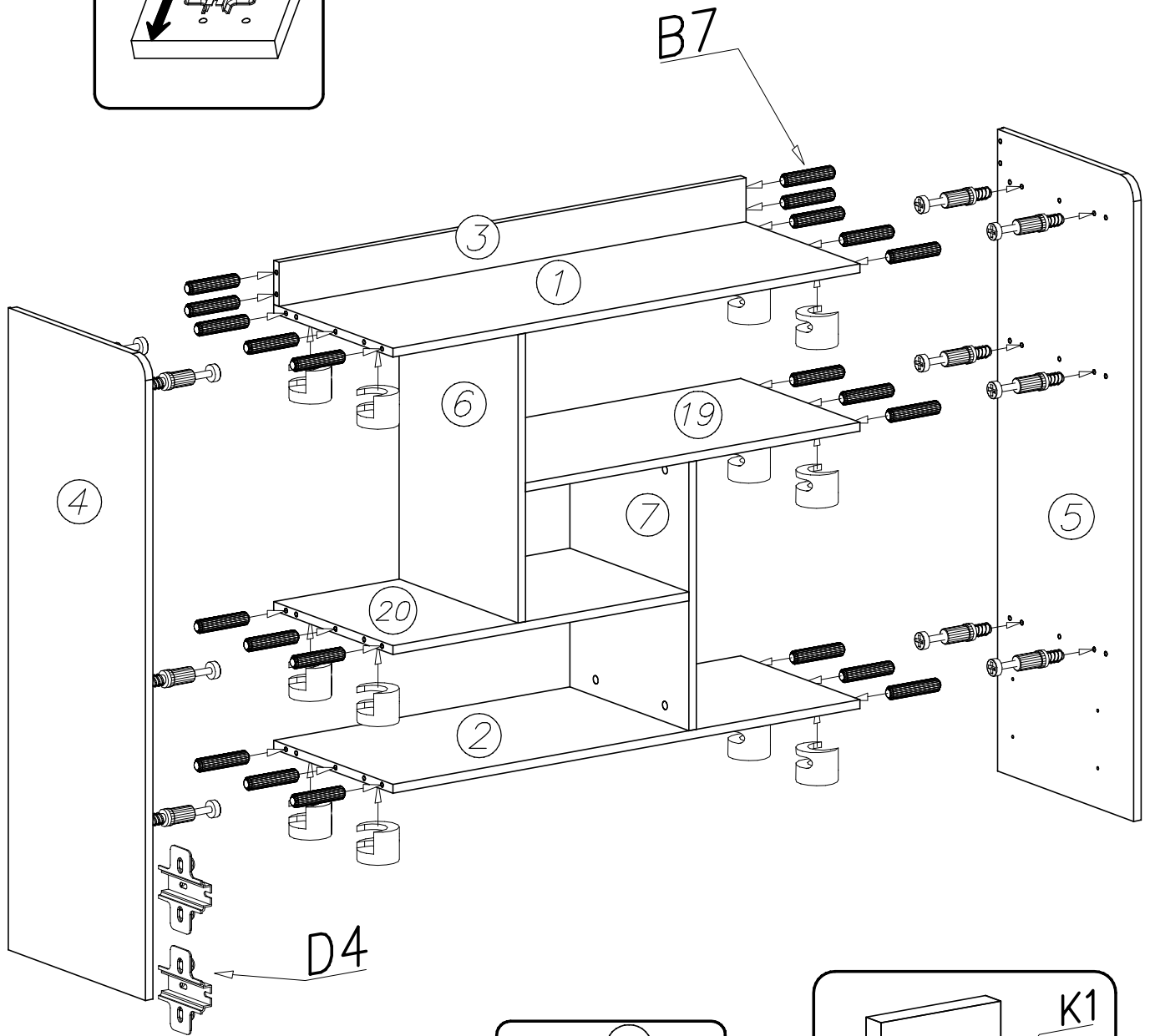
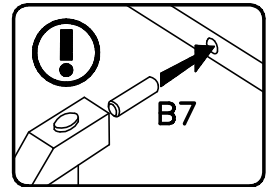
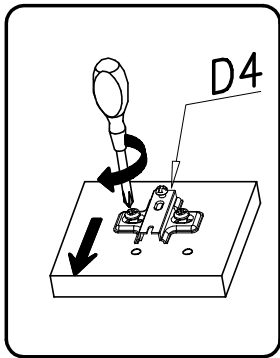
I



II

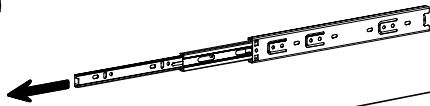


III

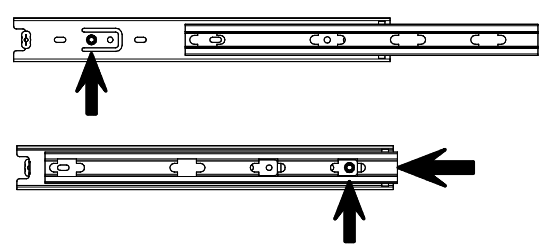
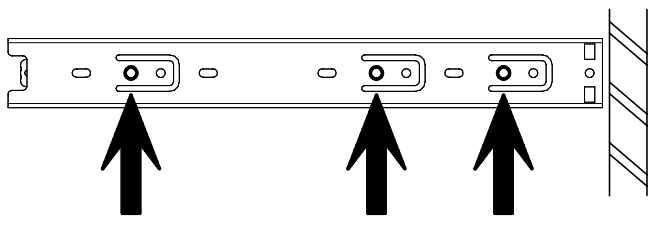
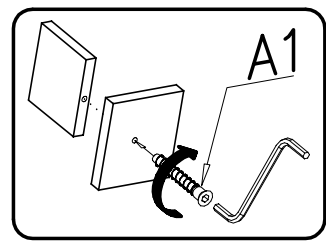
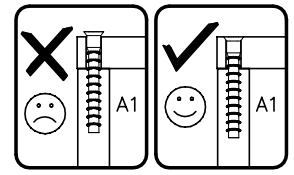
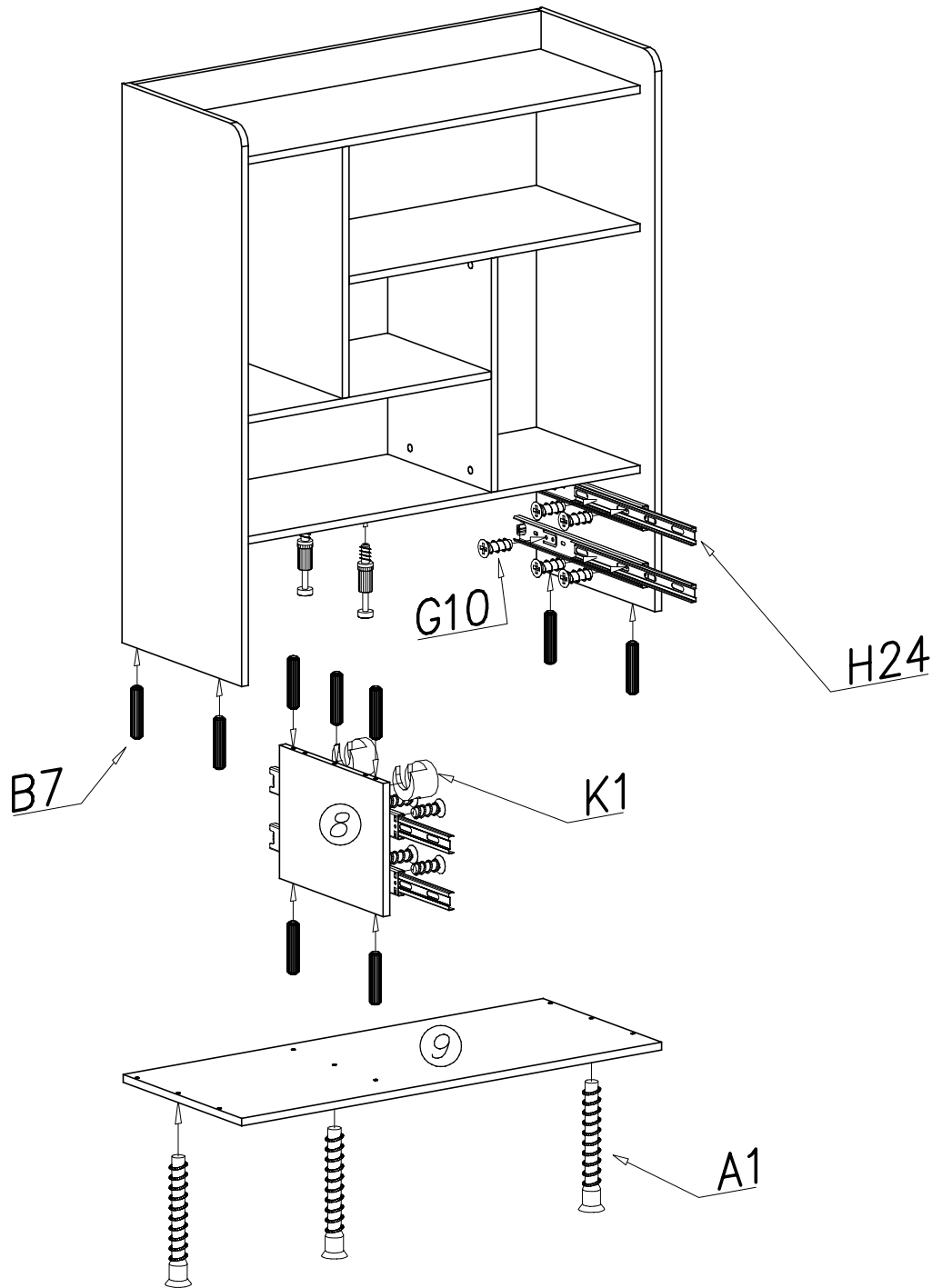
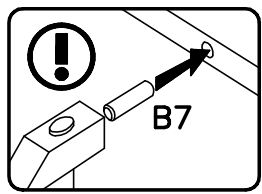
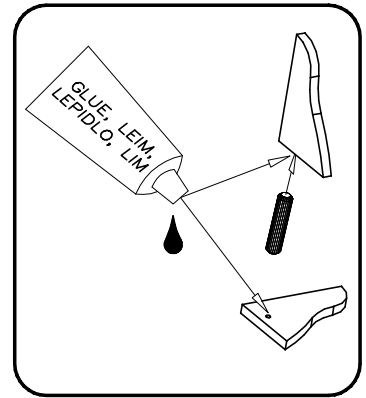
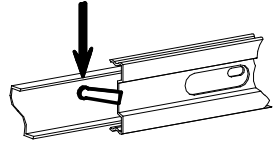
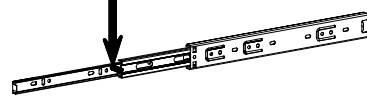


IV

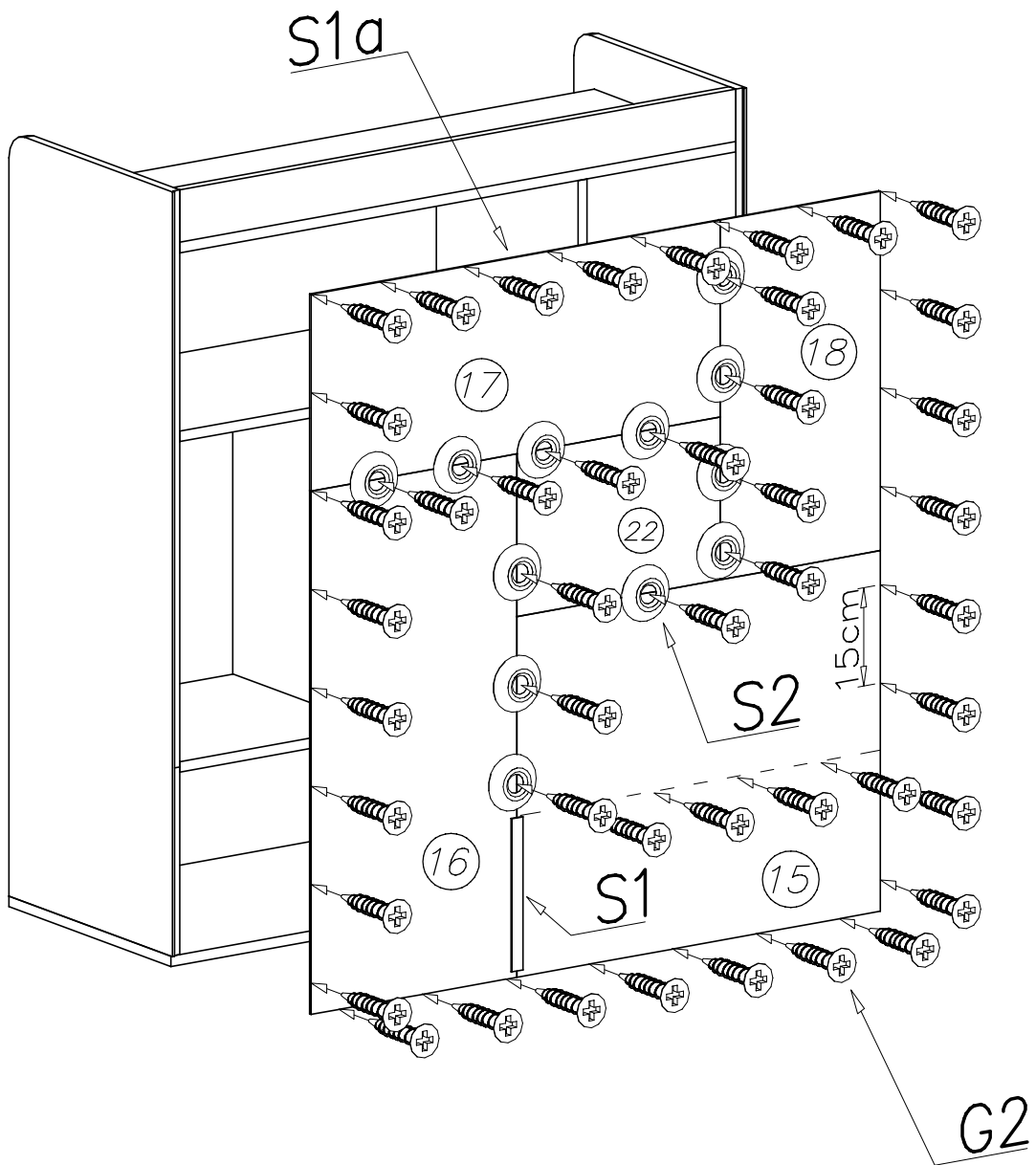
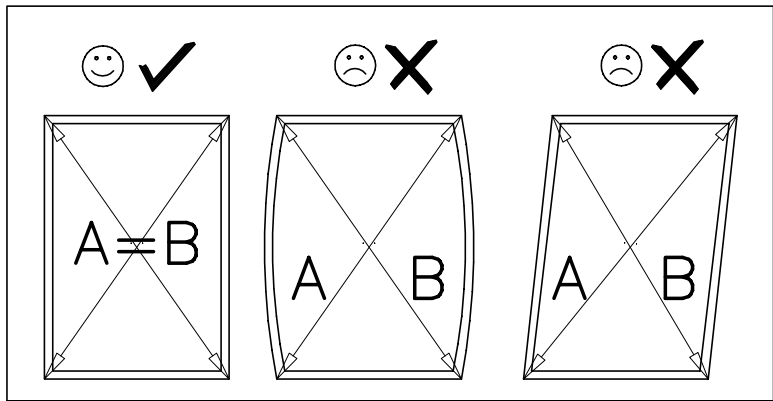
A



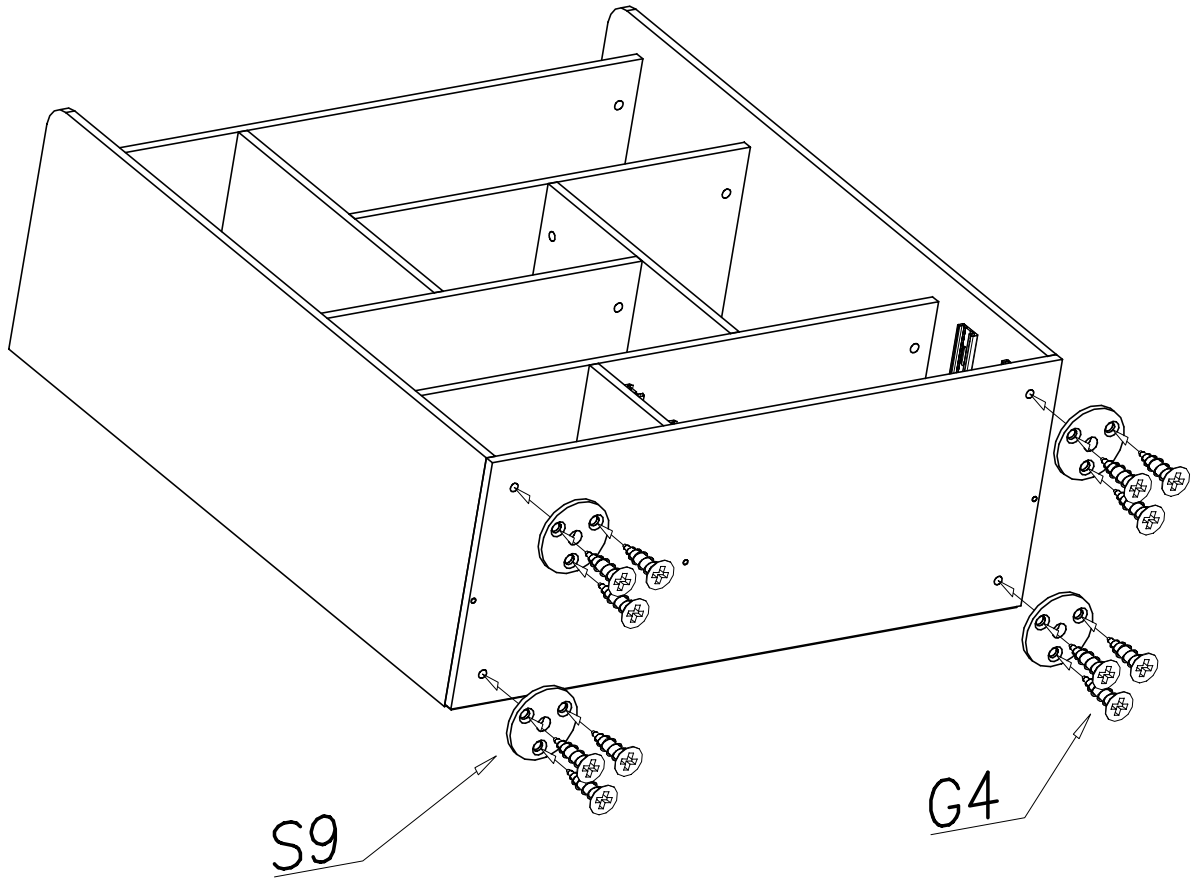
B



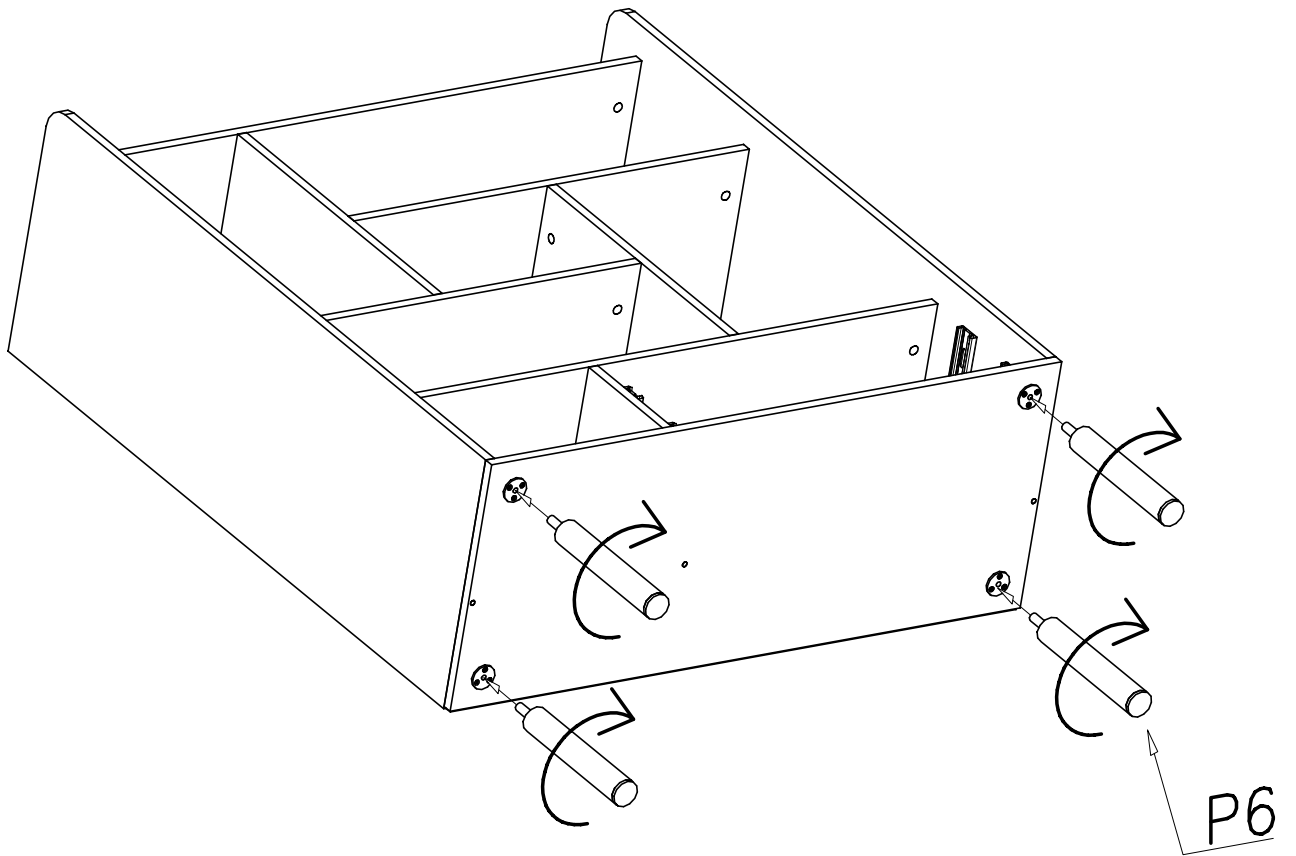
V



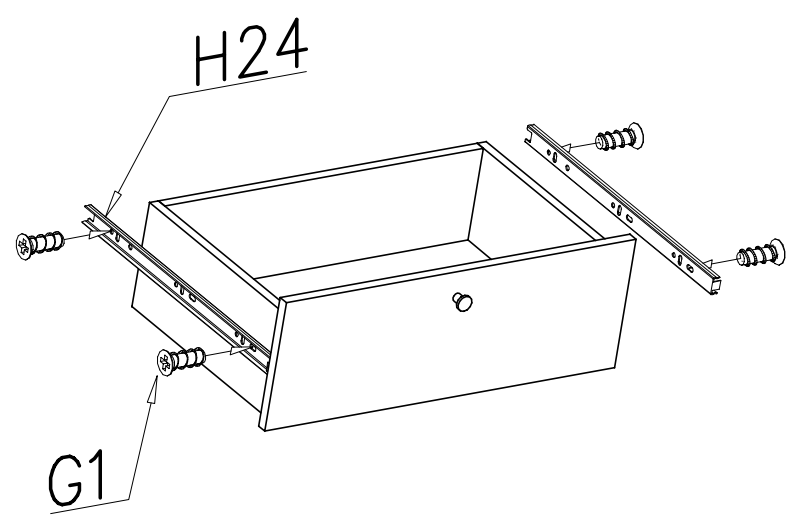
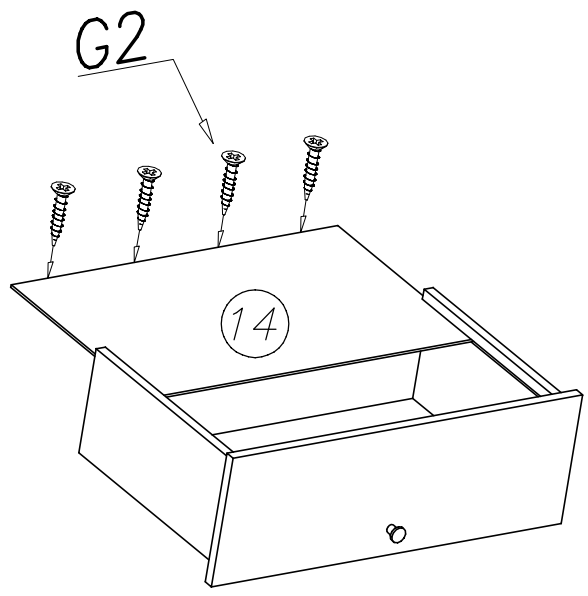
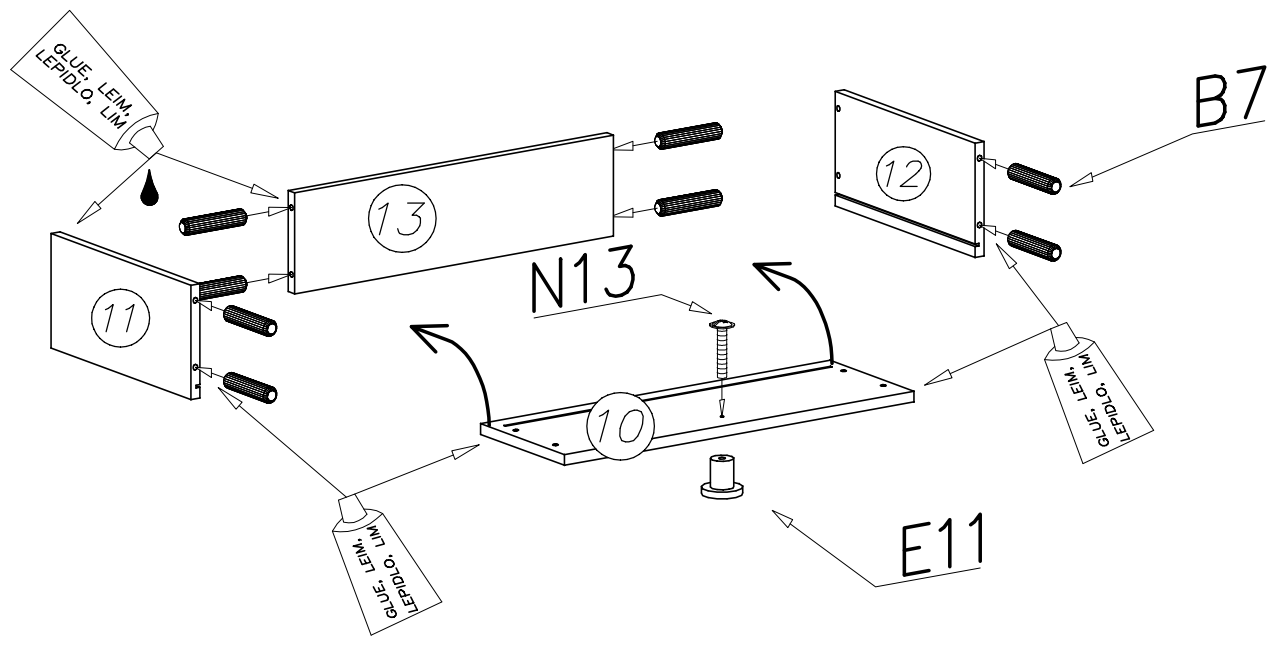
VI



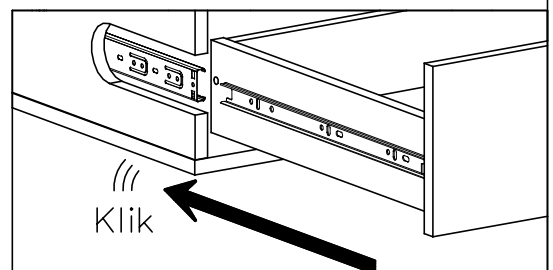
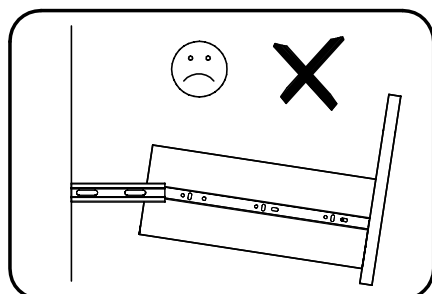
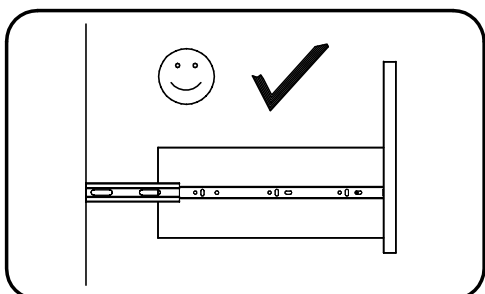
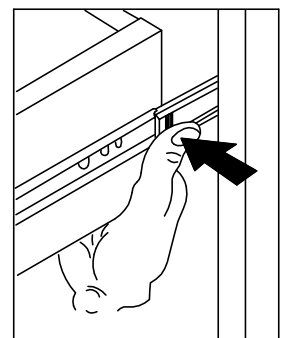
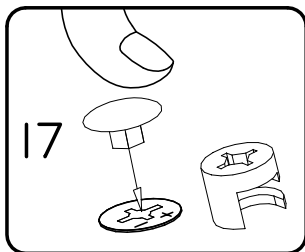
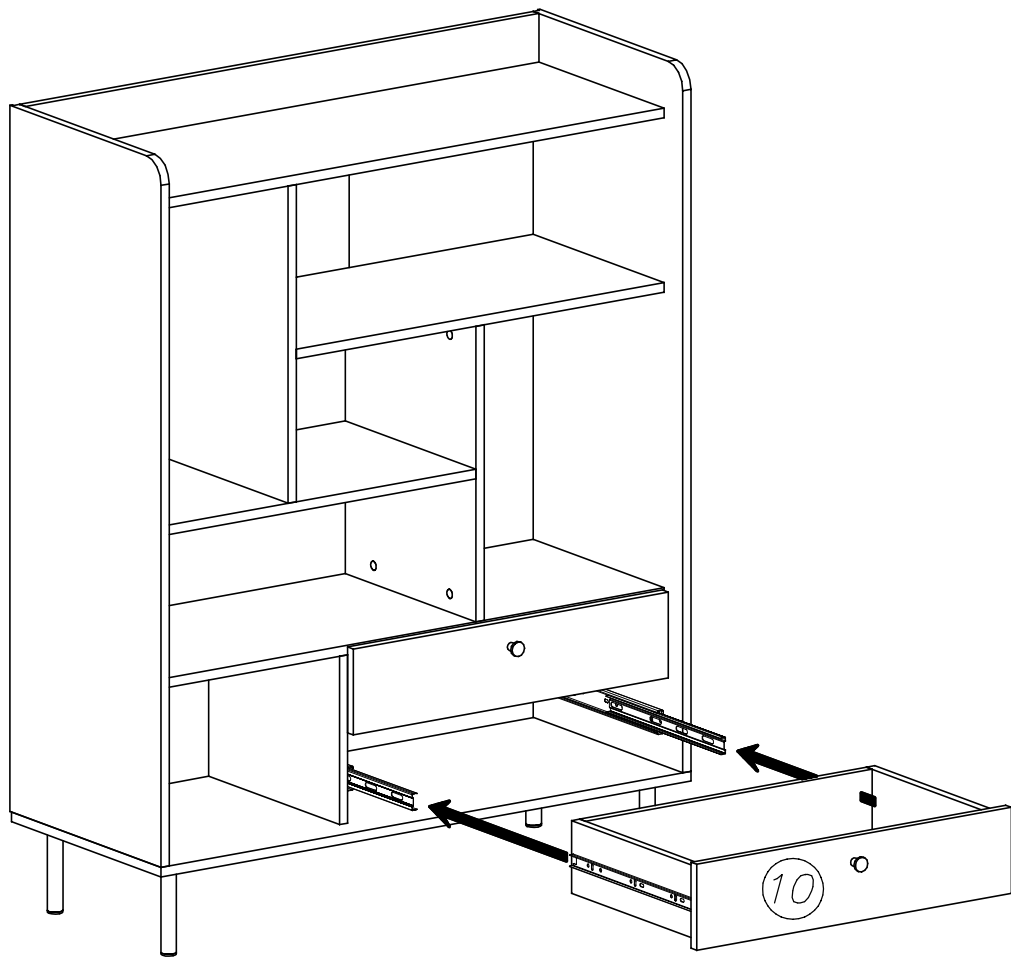
VII



VIII



IX



X

