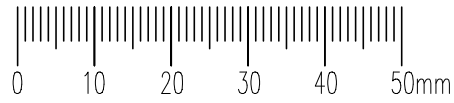
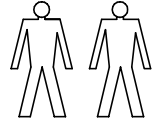
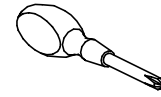
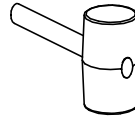
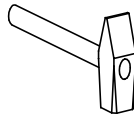
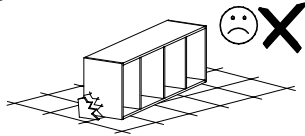
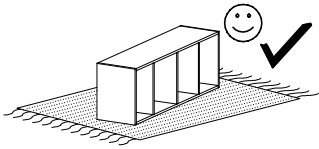
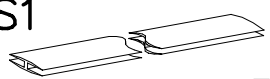
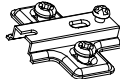
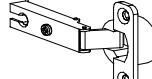

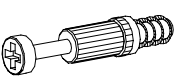

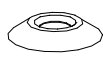


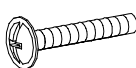

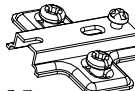
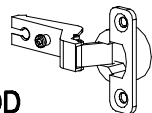


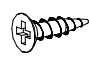

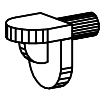
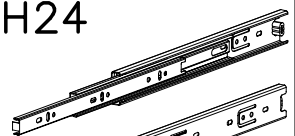


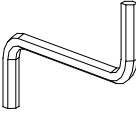
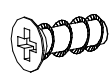
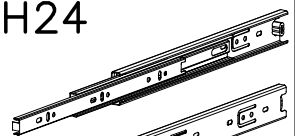
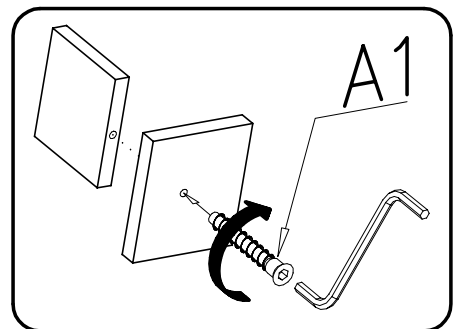
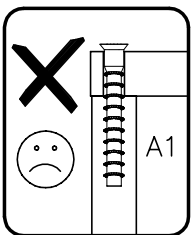
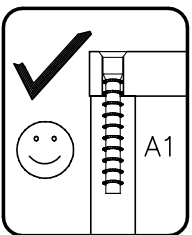
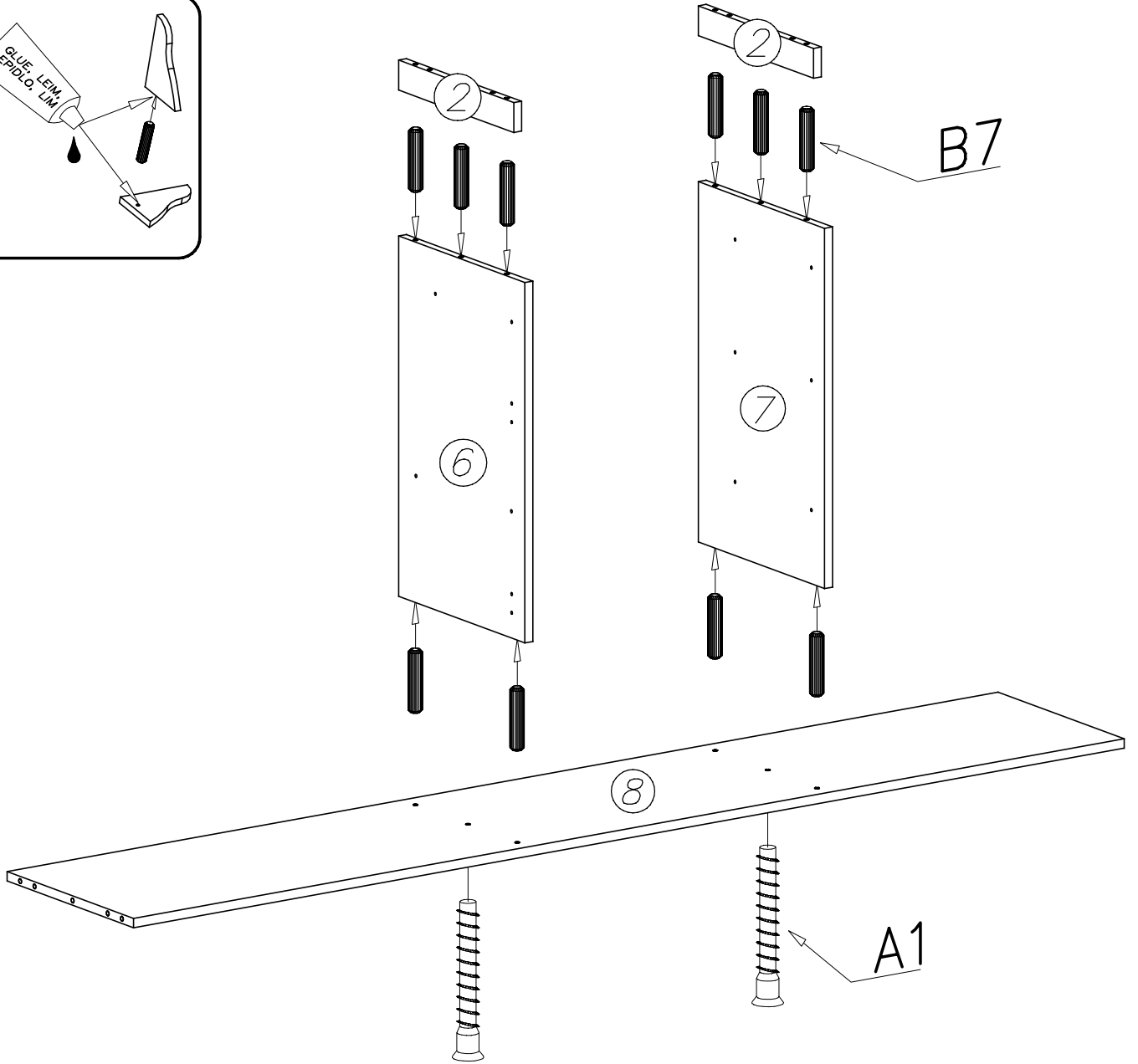
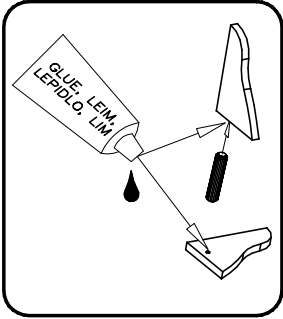
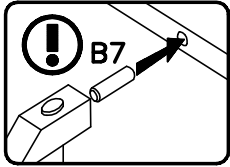


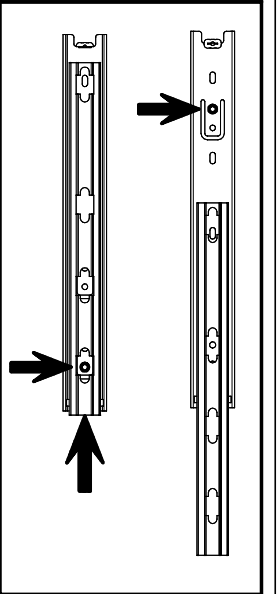
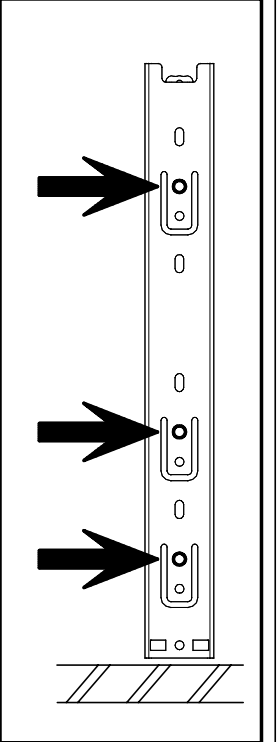
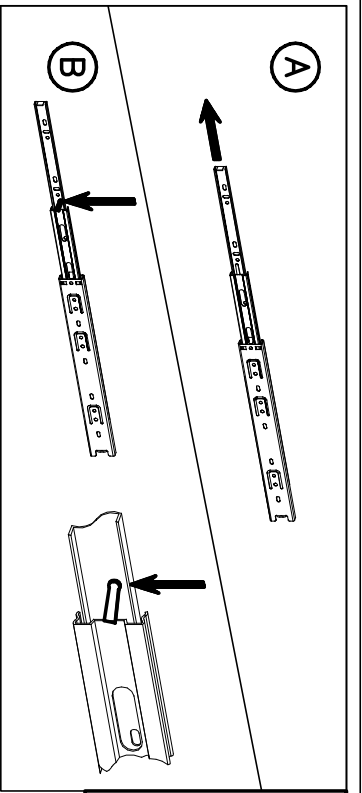
# MALTA MA 5



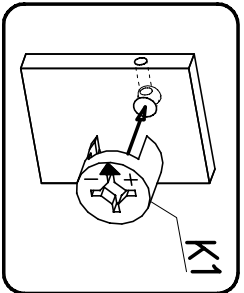
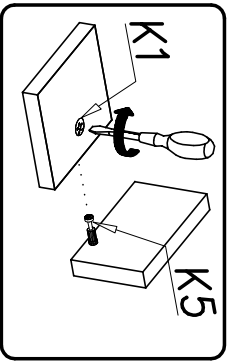
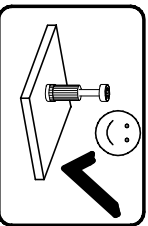
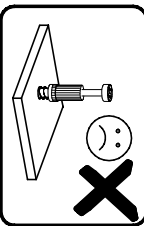
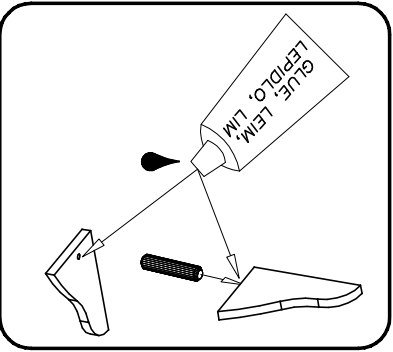
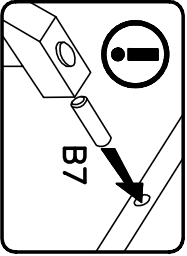
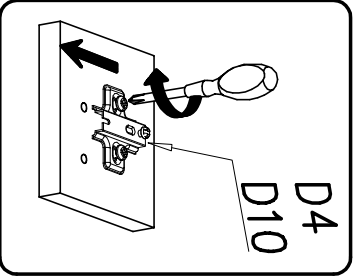
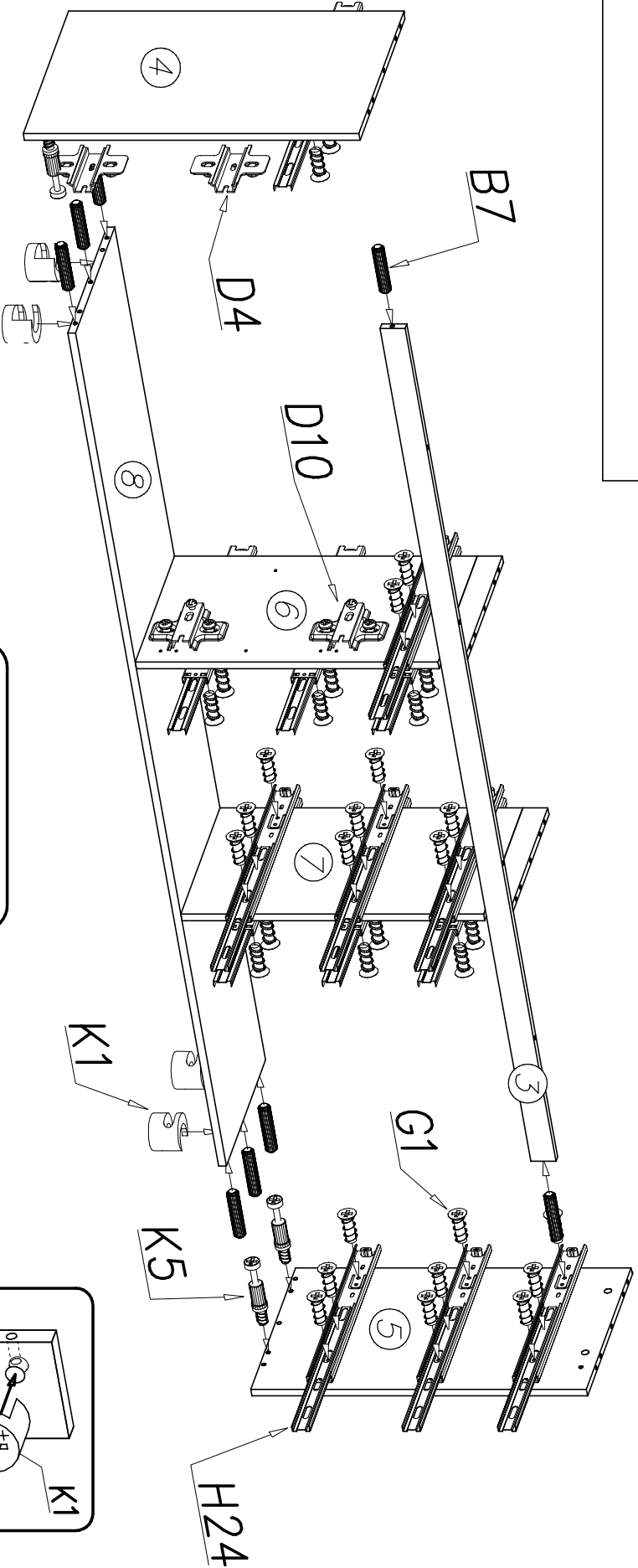
	<b>S1</b>  665mm x3	<b>D3</b>  PZ35PR x2	<b>C3</b>  Z35PR x2	<b>I7</b>  ø18 x16
<b>K5</b>  x16	<b>K1</b>  ø15x12 x16	<b>S2</b>  x10	<b>S9</b>  x6	<b>P6</b>  x6
<b>N13</b>  M4x22 x6	<b>W1</b>  x5	<b>D4</b>  PZ350D x2	<b>C4</b>  Z350D x2	<b>P6</b>  x6
<b>E13</b>  x6	<b>G4</b>  4x16 x26	<b>G2</b>  3x20 x80	<b>F1</b>  x4	<b>H24</b>  x7
<b>A1</b>  ø7x50 x2	<b>B7</b>  ø8x30 x86	<b>W2</b>  x1	<b>G1</b>  4x13 x70	<b>H24</b>  350mm x7

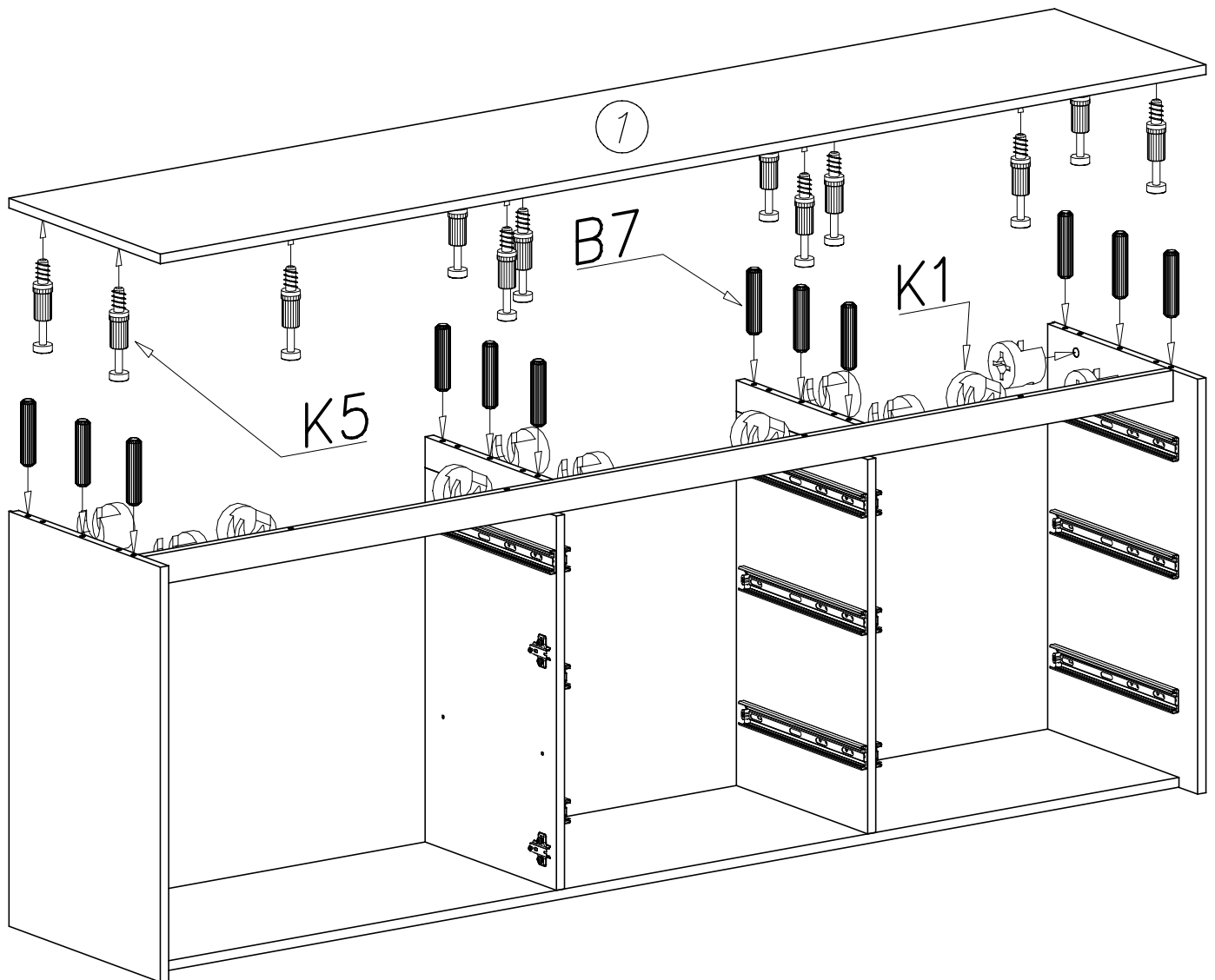
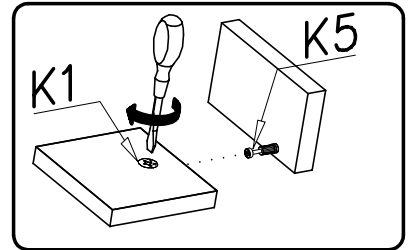
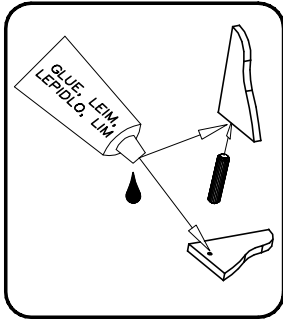
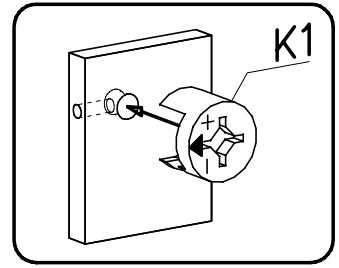
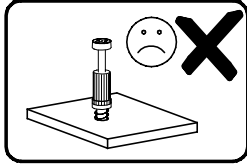
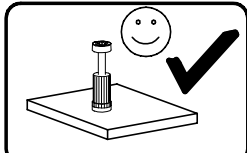
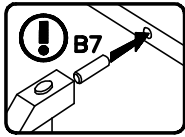
1

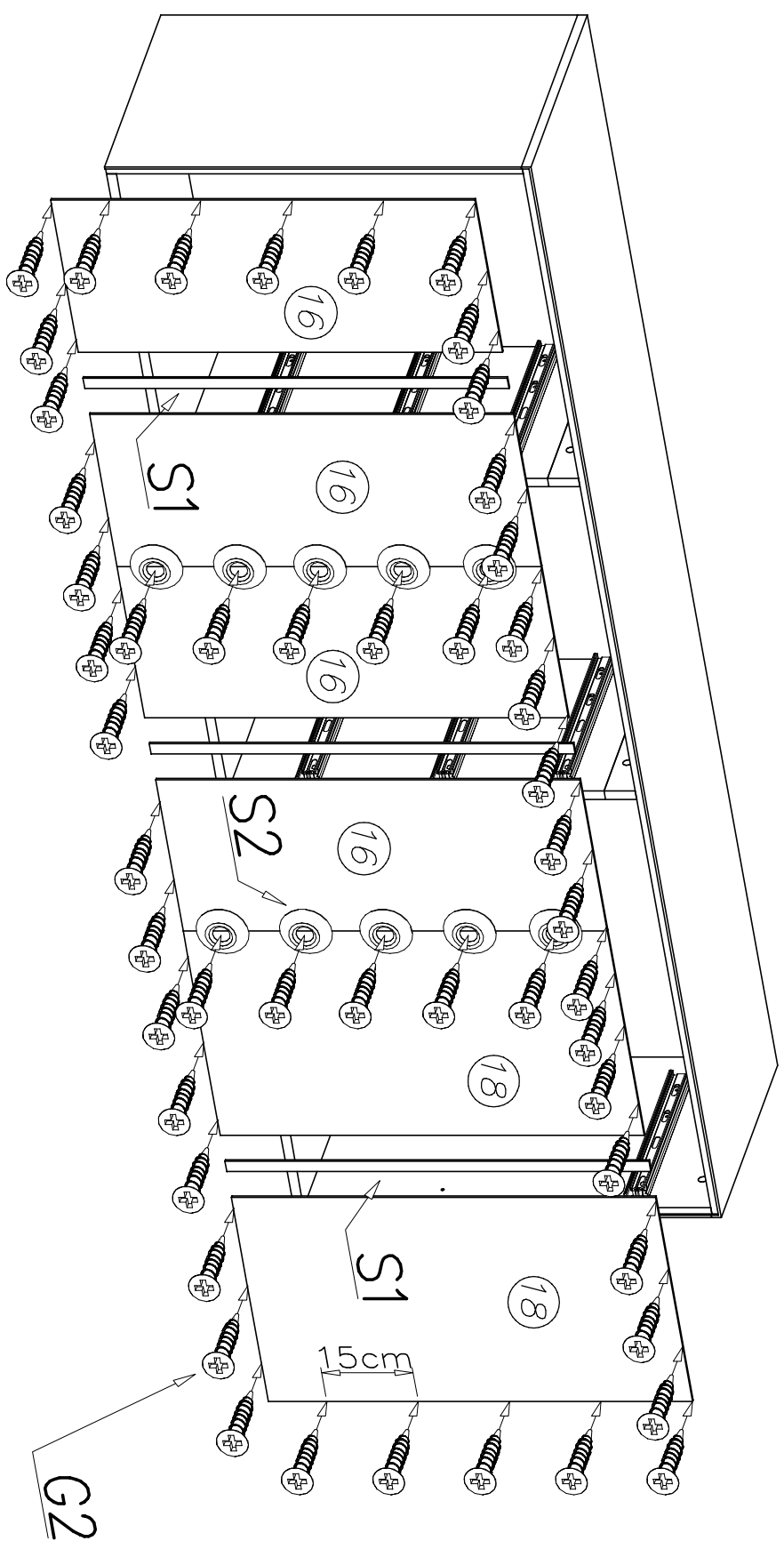
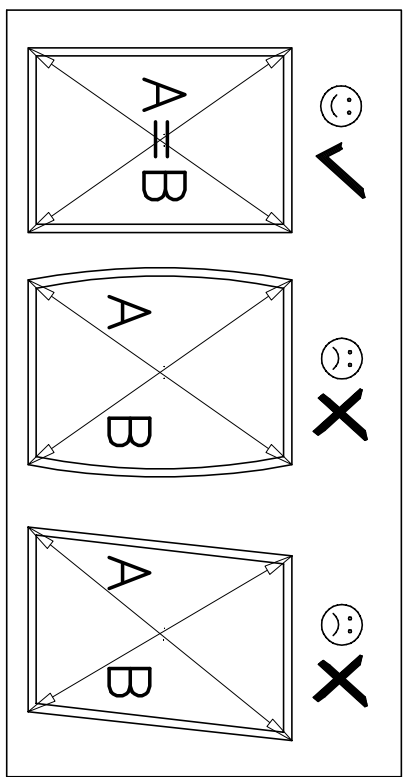




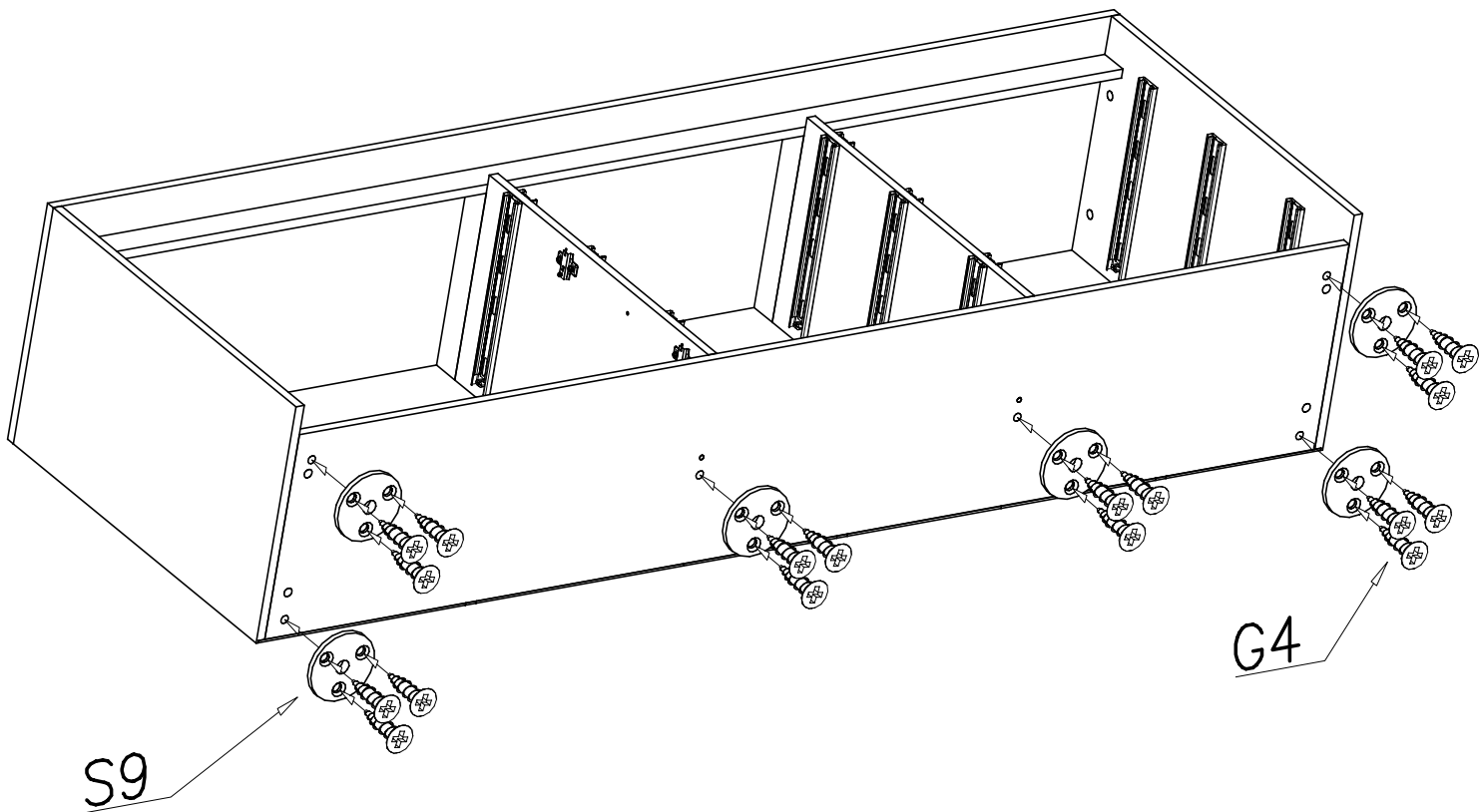
**II**



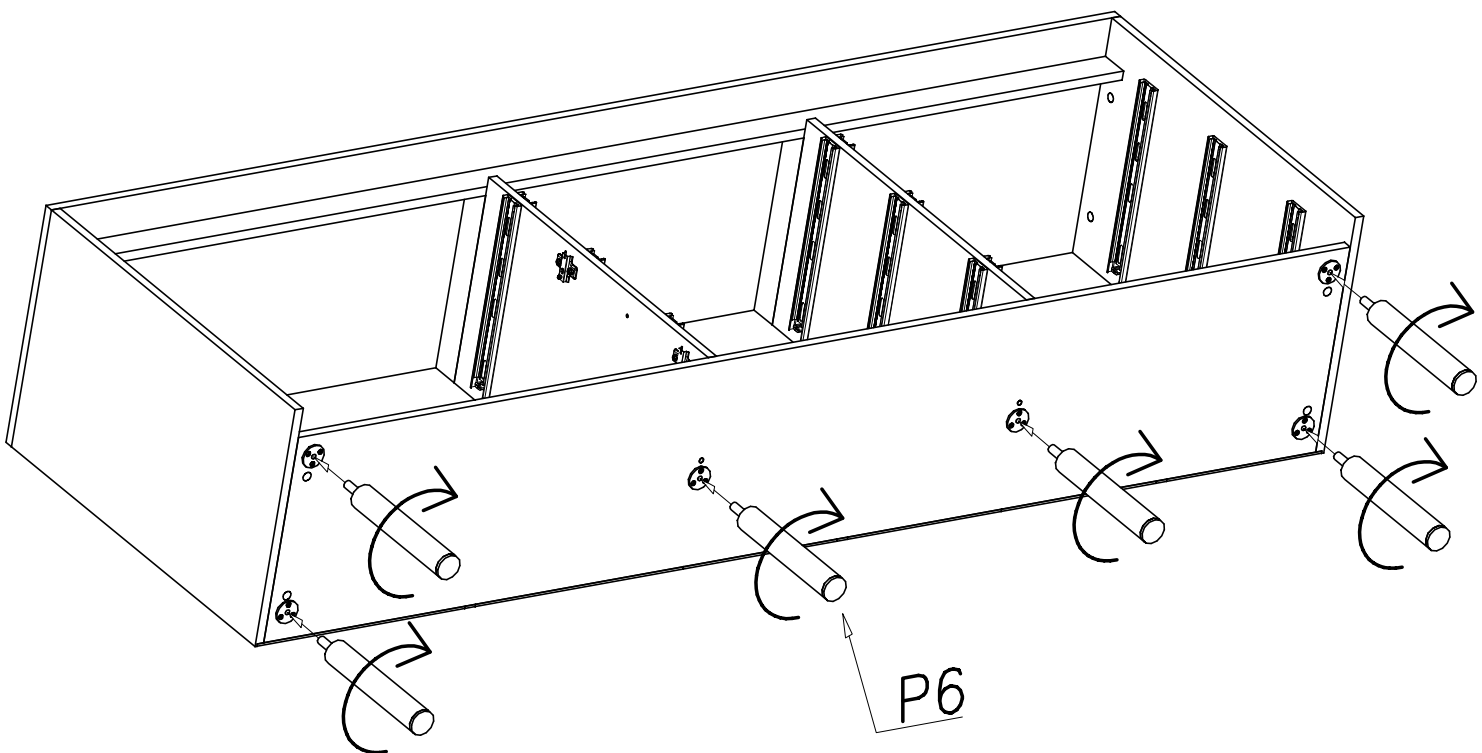




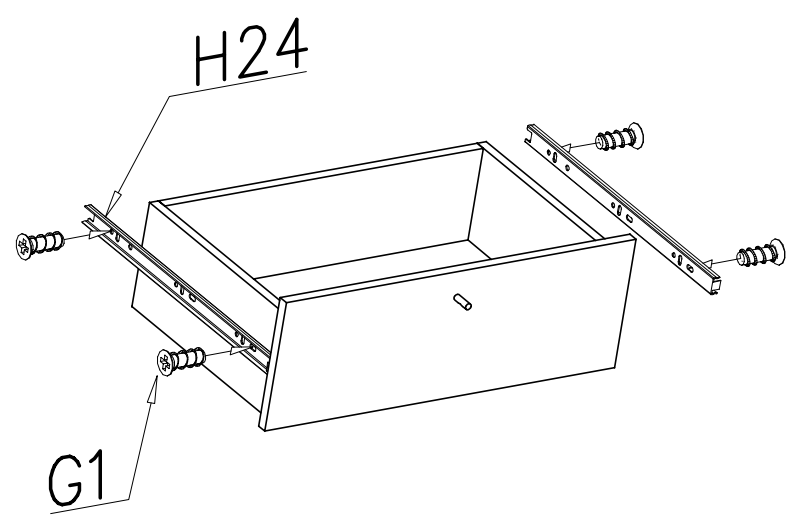
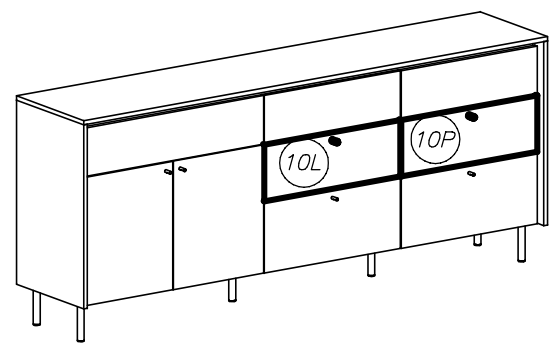
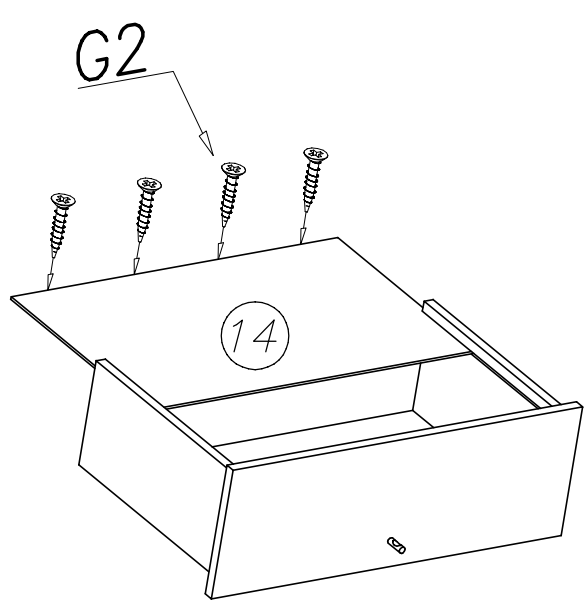
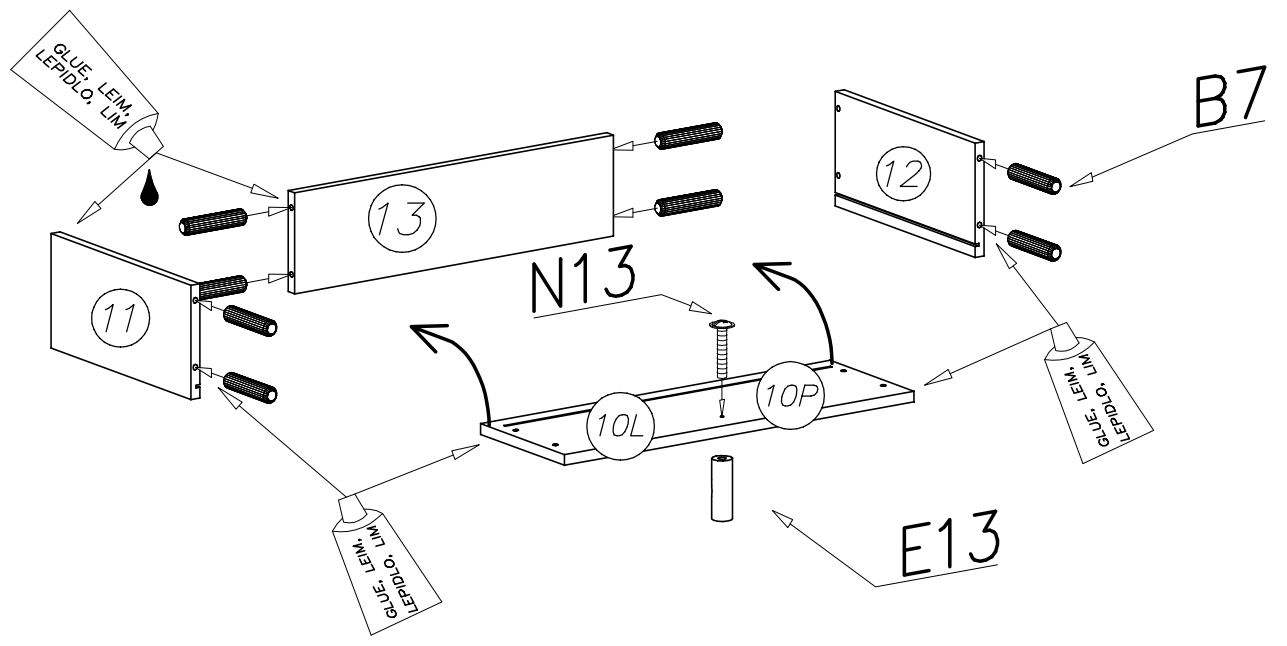
V



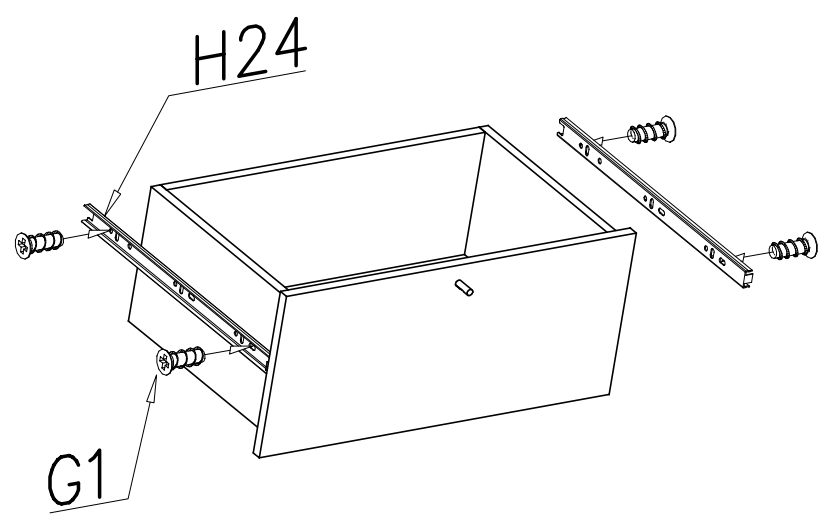
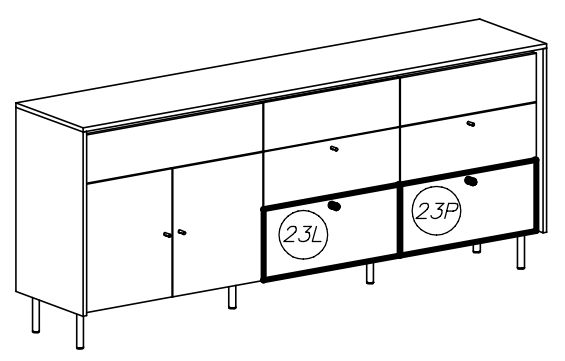
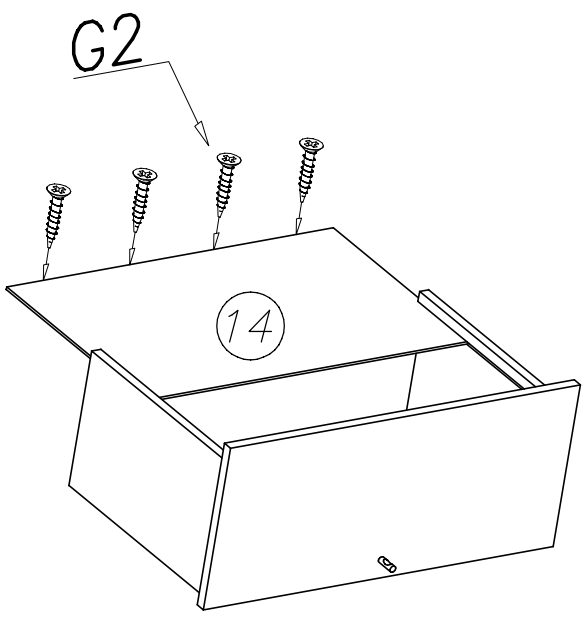
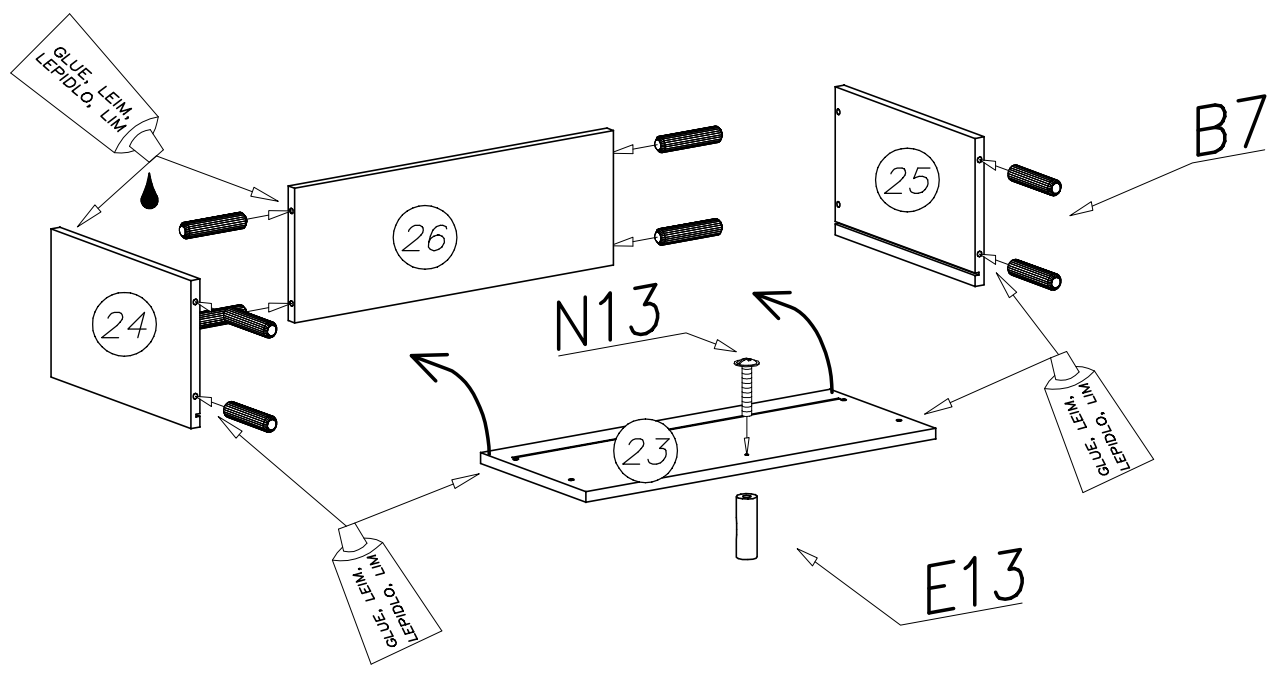
VI



VII

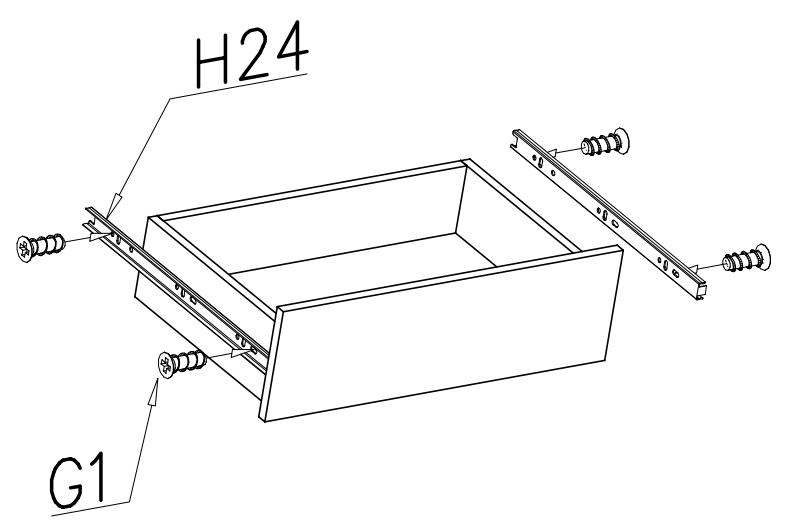
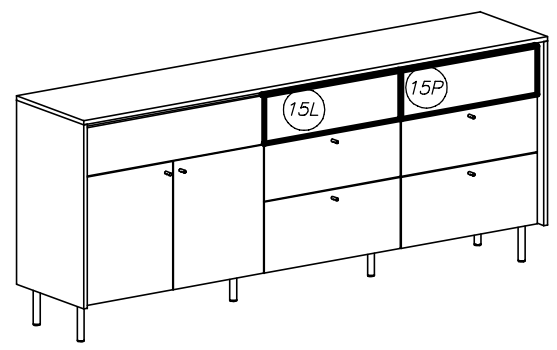
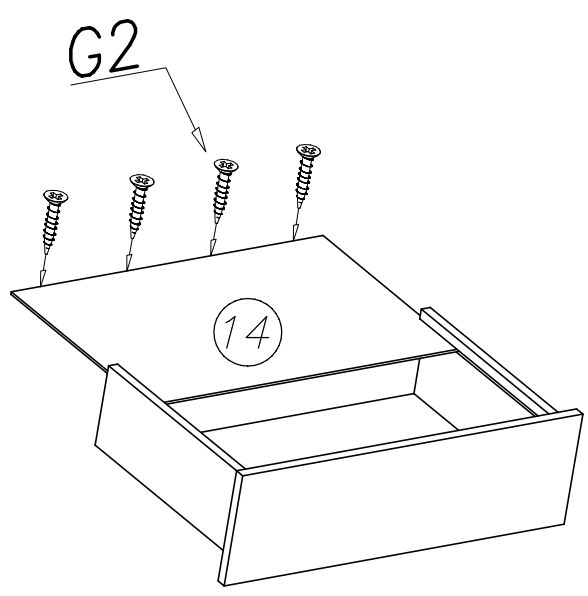
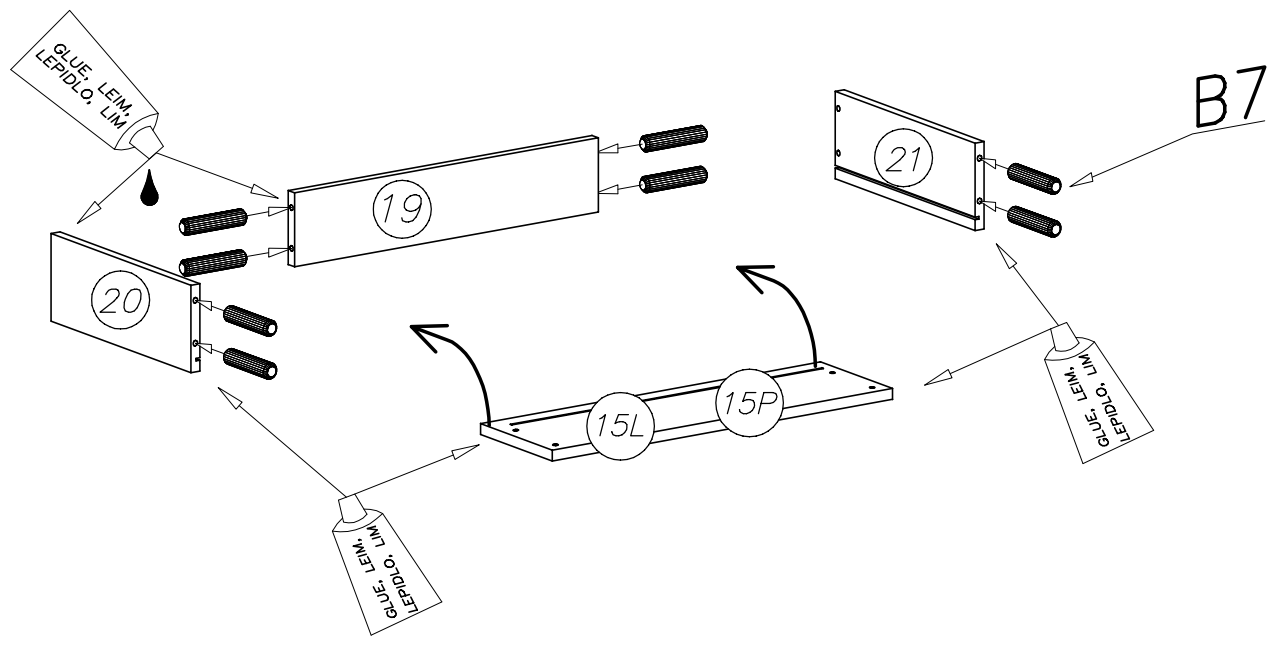


VIII

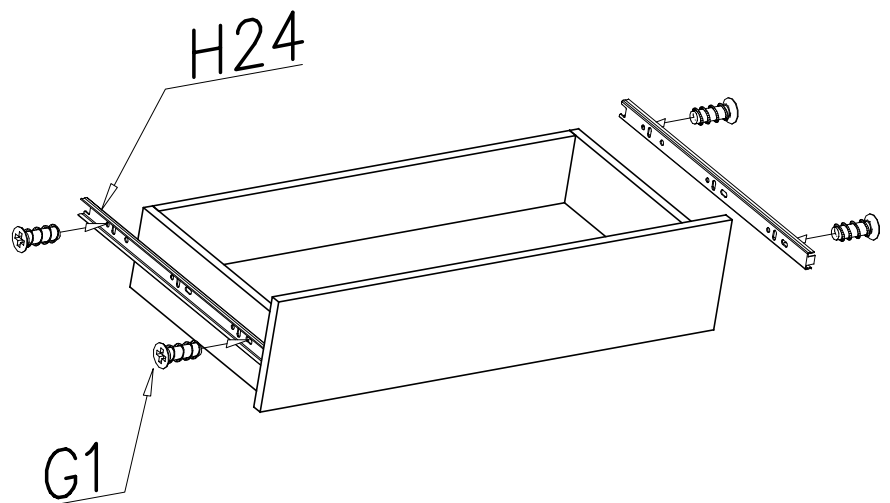
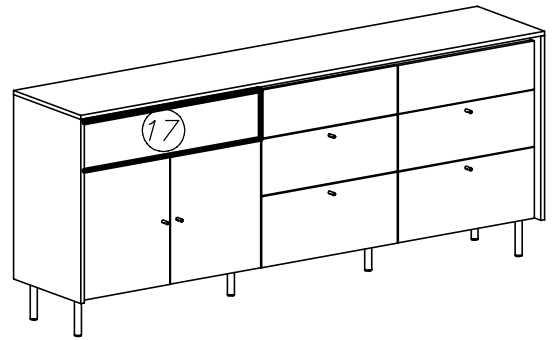
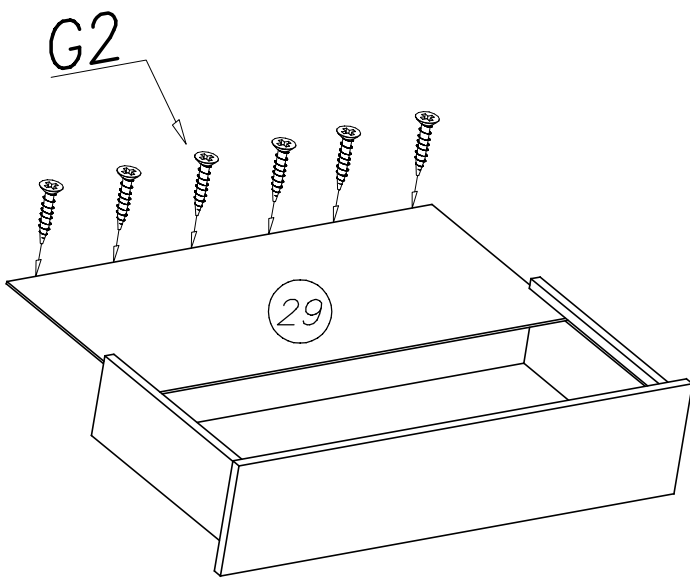
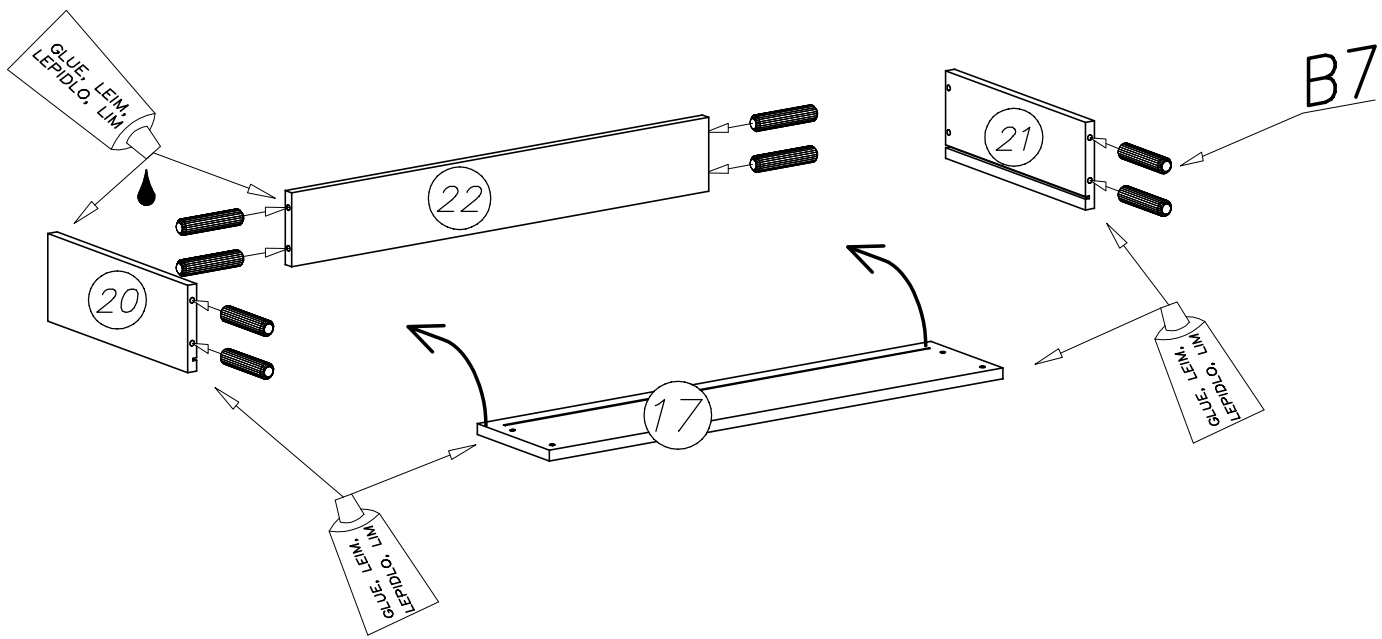




IX

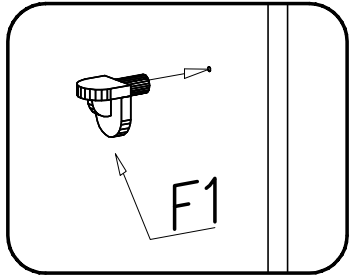


X

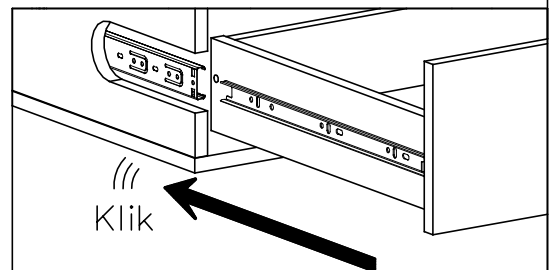
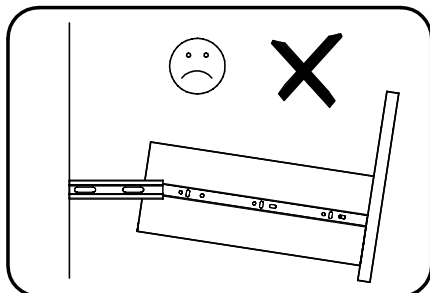
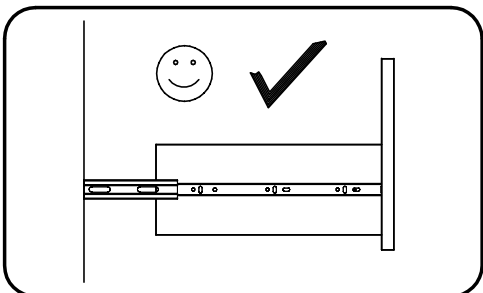
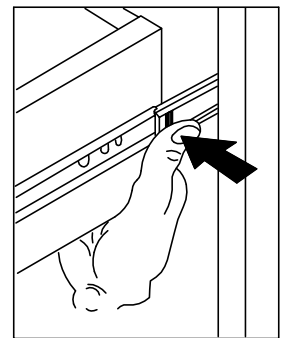
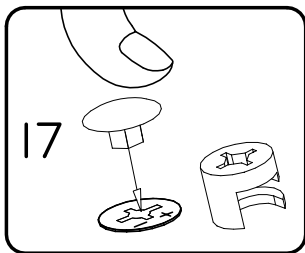
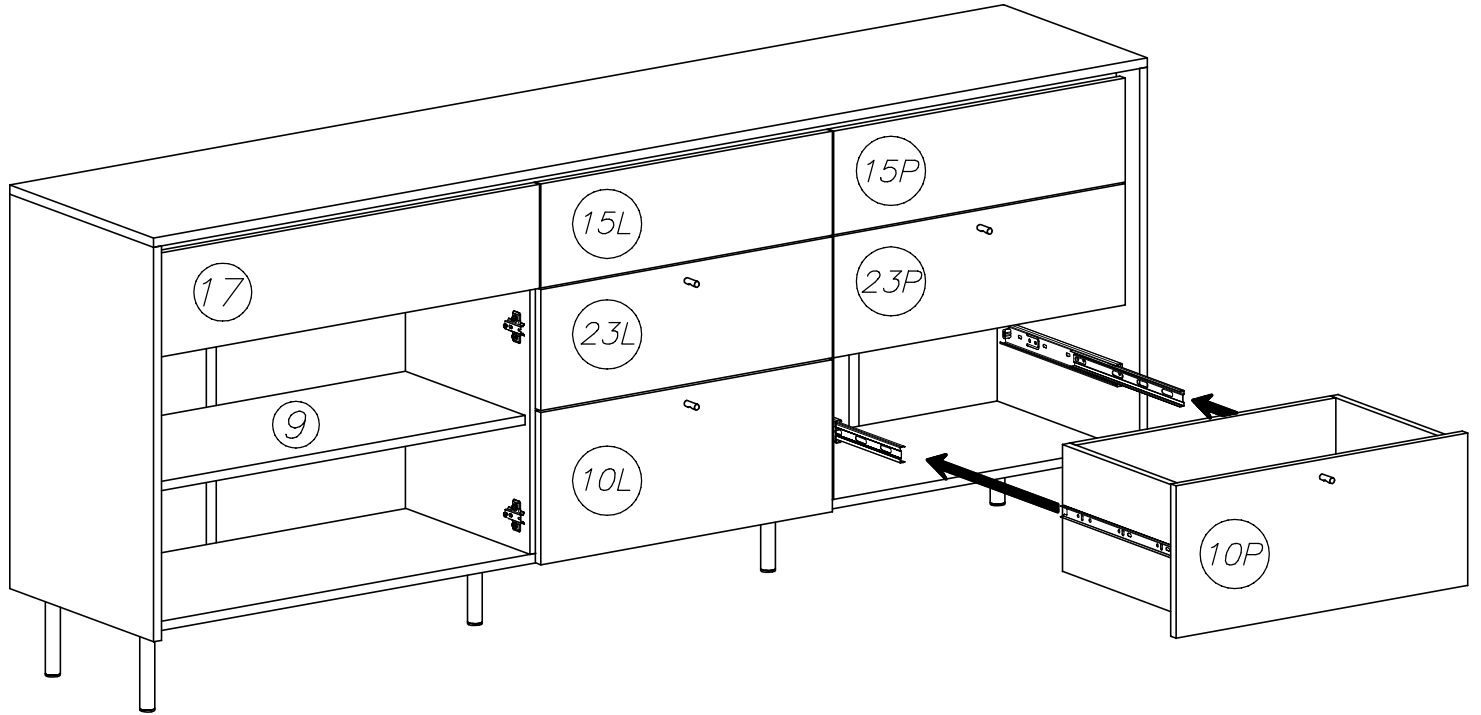
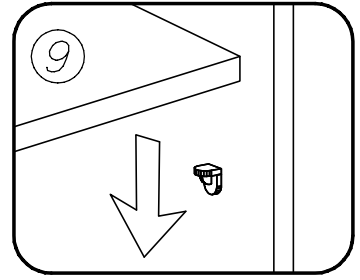


XI

1



2



XII

