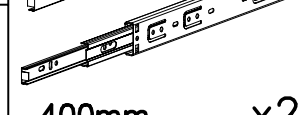
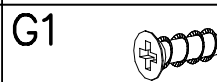
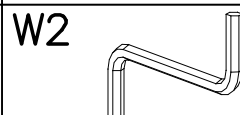
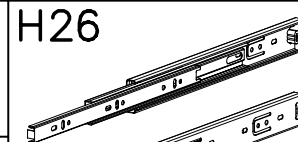
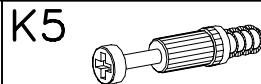
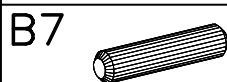
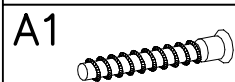
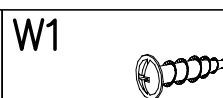
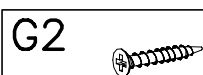
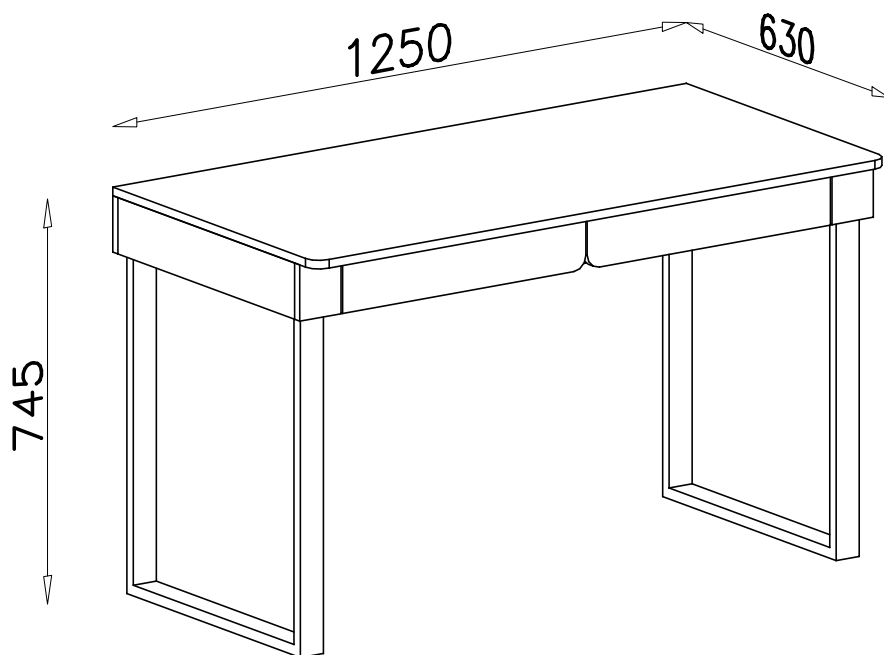
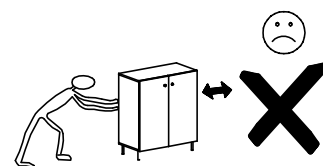
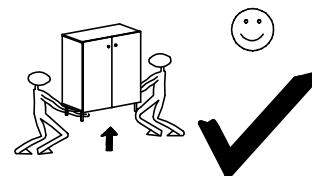
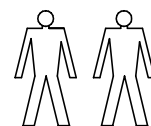
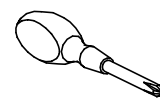
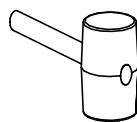
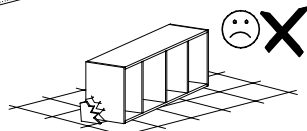
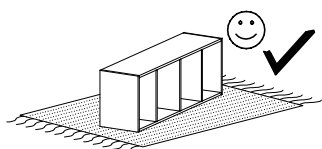


LUCA LC 11



W6 x3

I7 x24
ø18

G2 x22
3x20

W1 x16
6x16

B x4

A1 x3
ø7x50

B7 x58
ø8x30

K5 x24

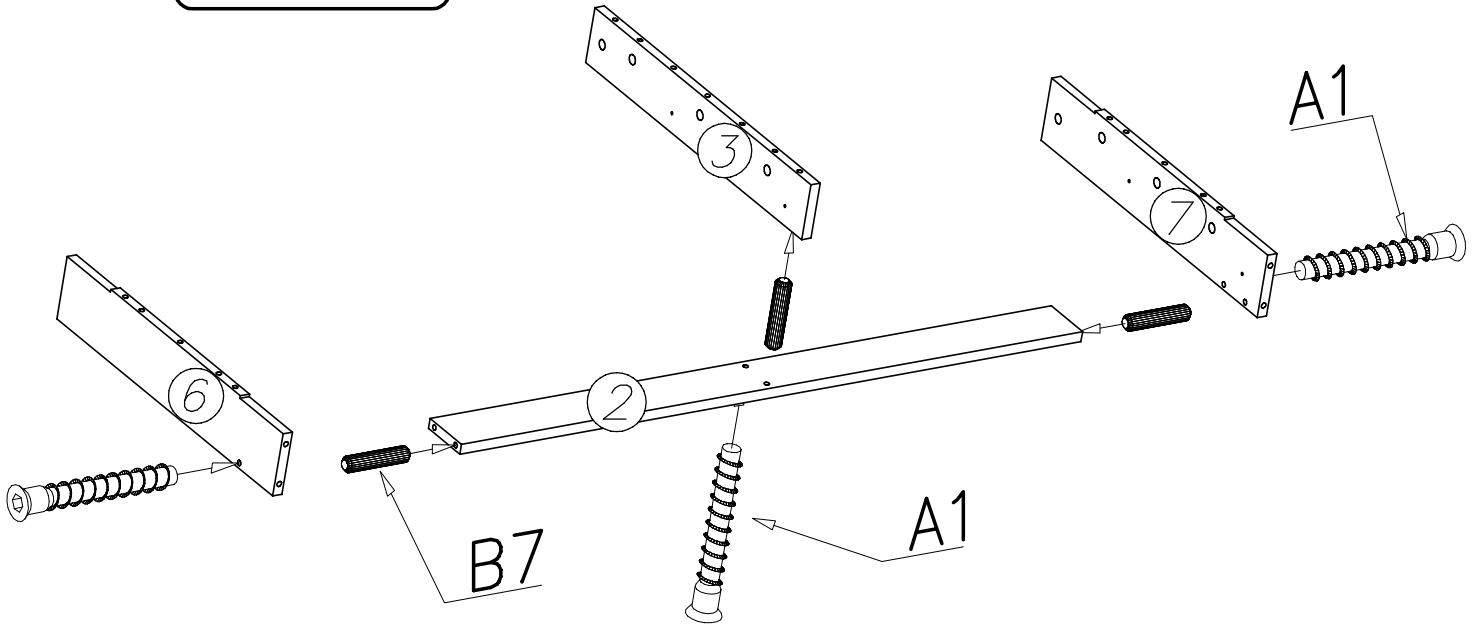
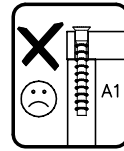
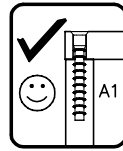
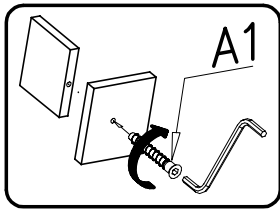
K1 x24
ø15x12

H26 x2
400mm

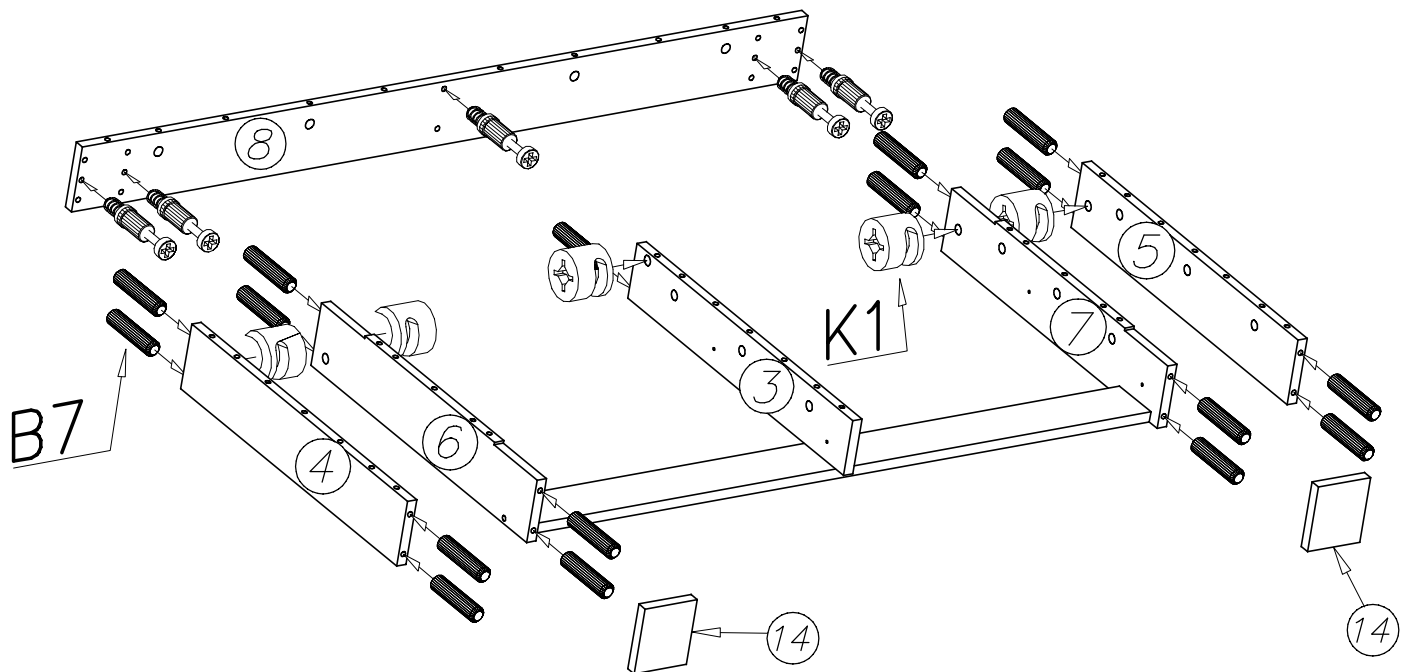
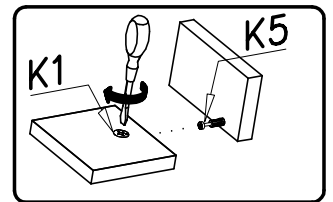
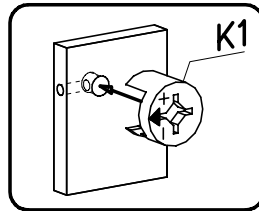
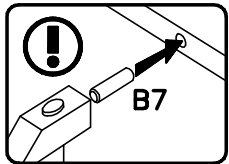
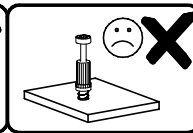
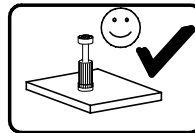
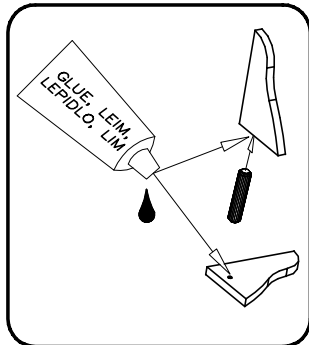
W2 x1

G1 x20
4x13

I

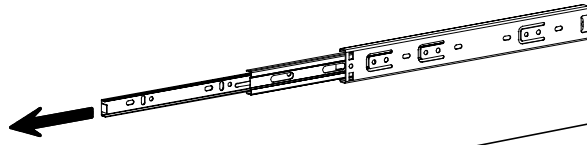


II

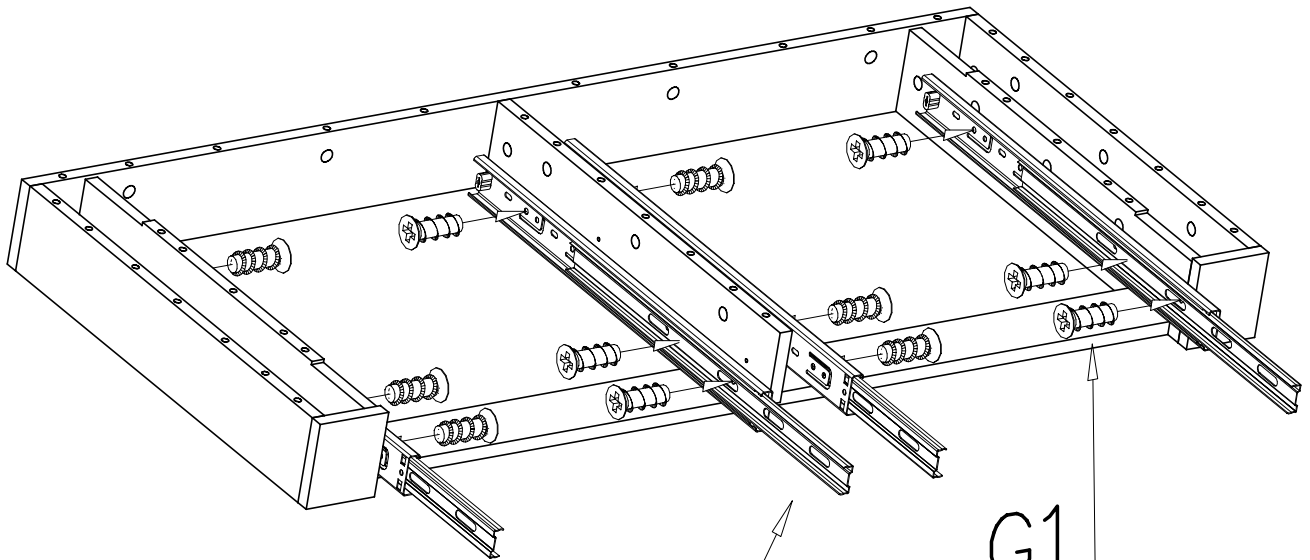
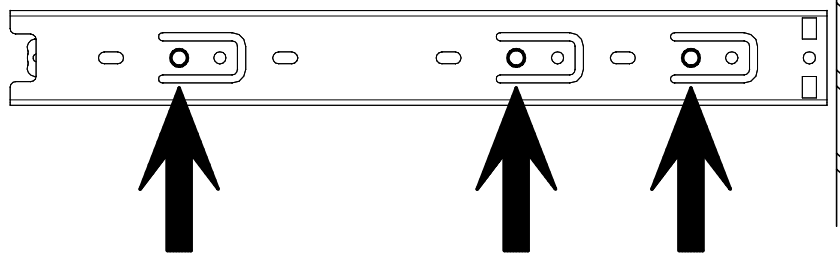
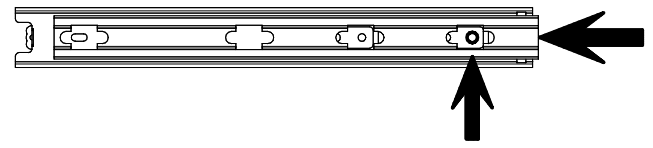
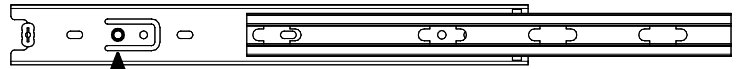
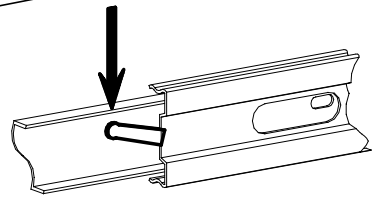
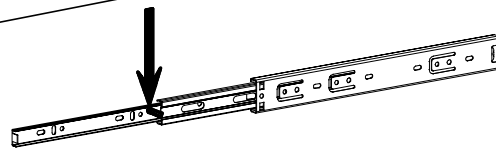




(A)

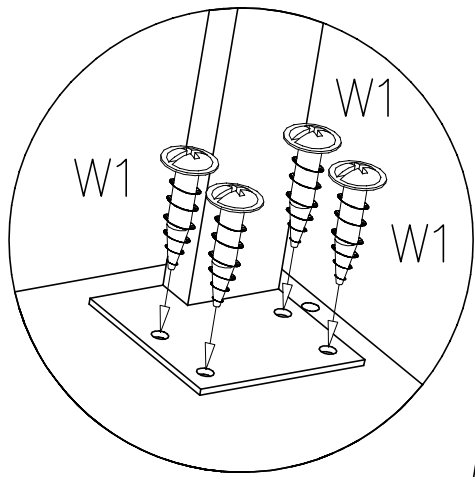


(B)

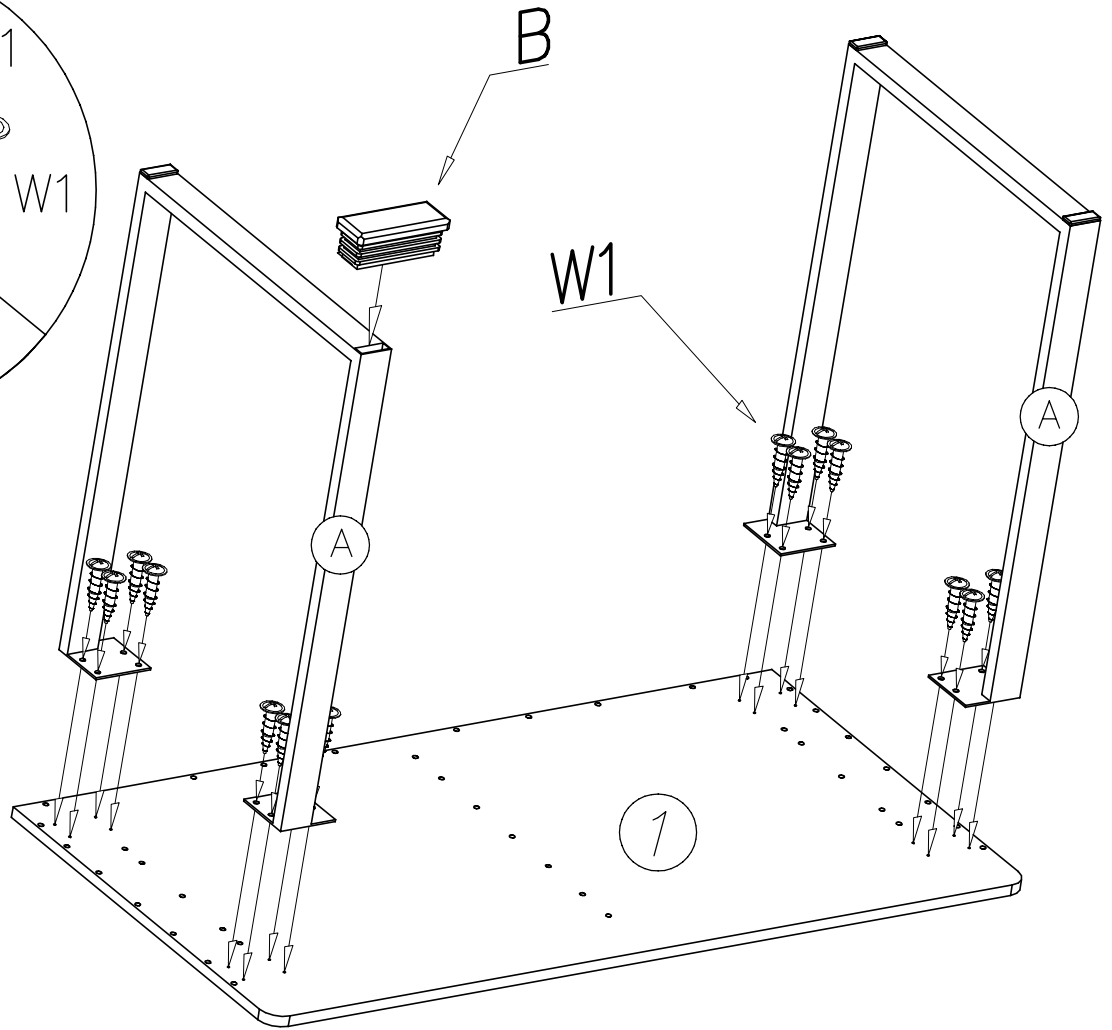


H26

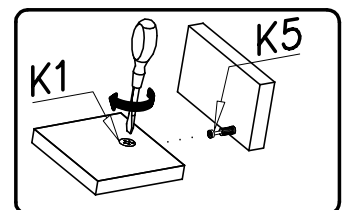
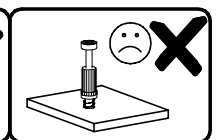
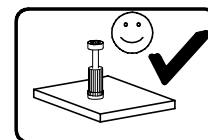
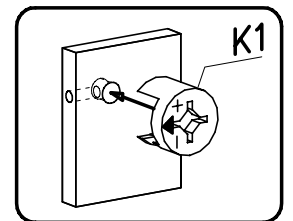
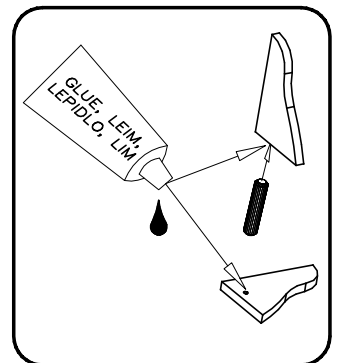
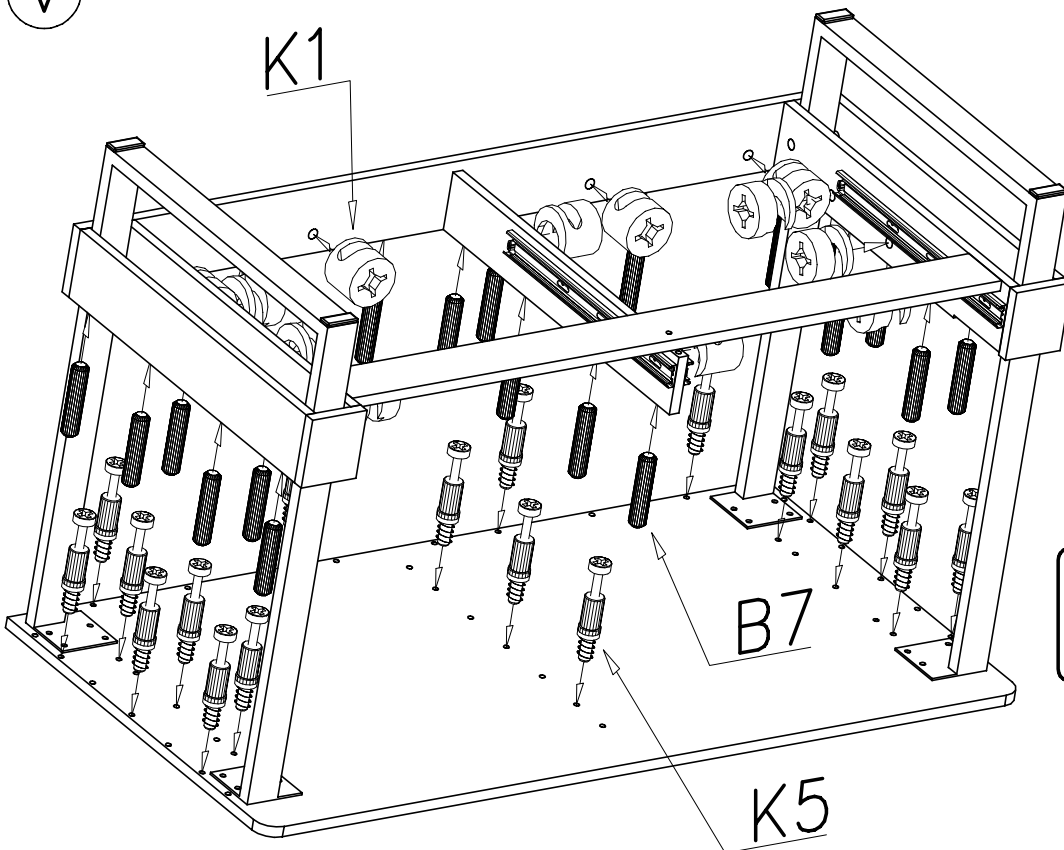
G1



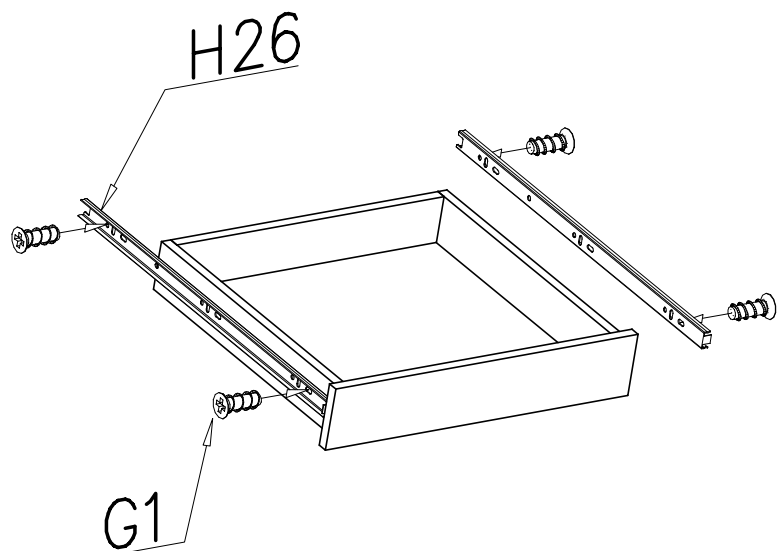
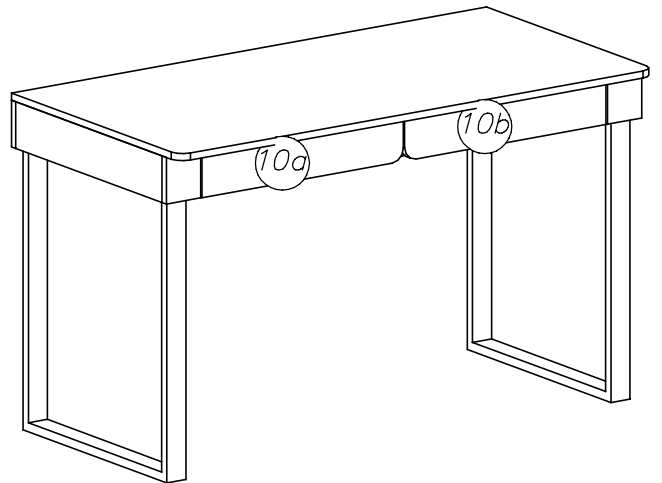
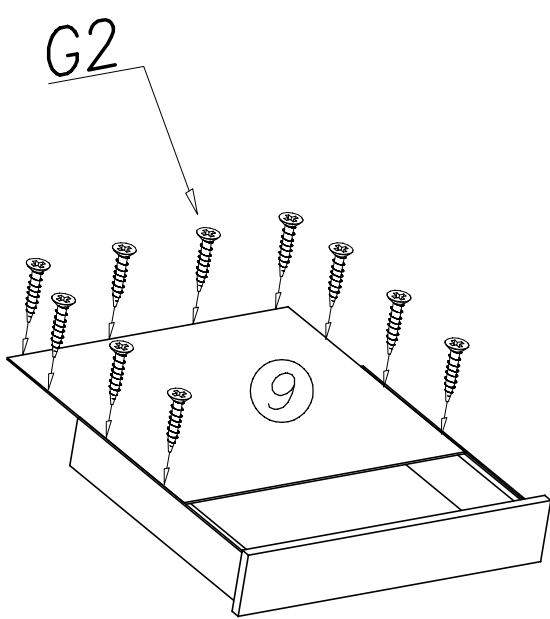
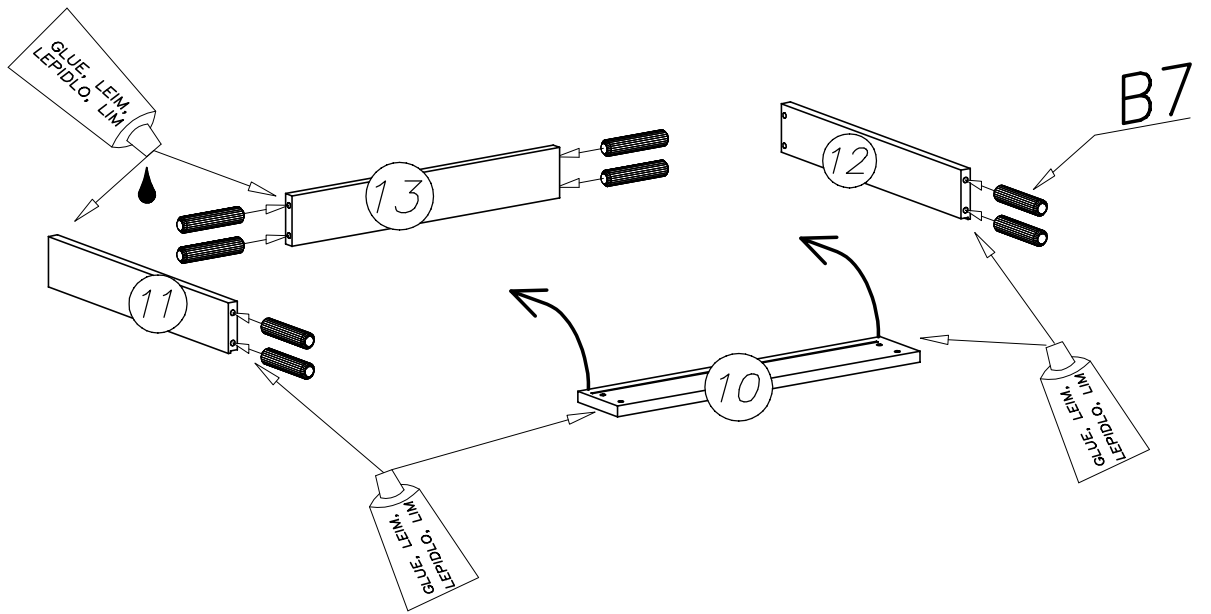
IV



V



VI



VII

