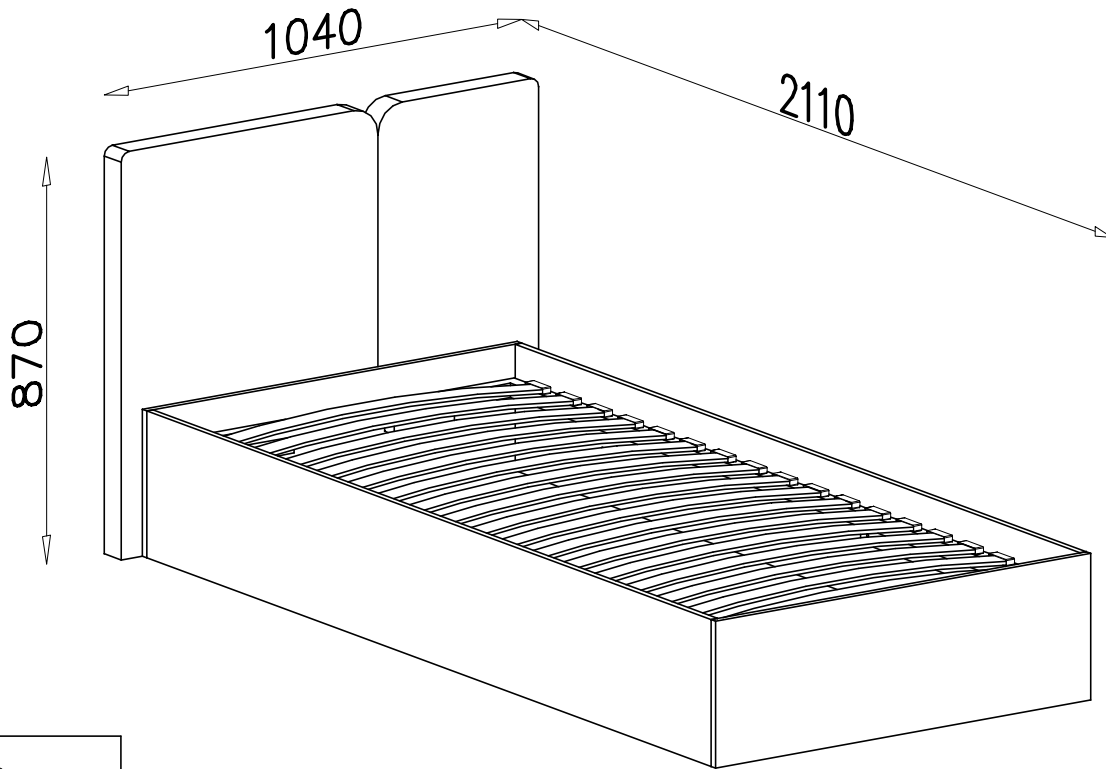
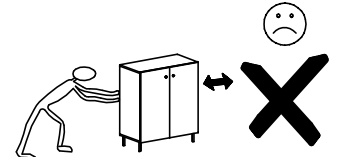
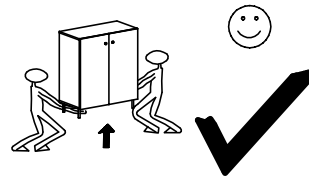
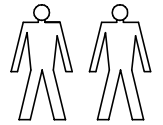
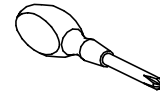
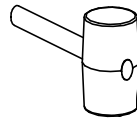
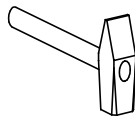
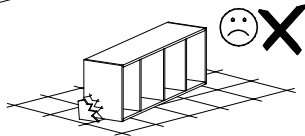
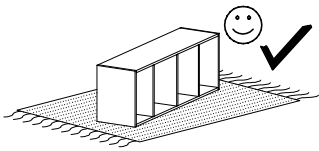

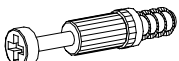




LUCA LC 13

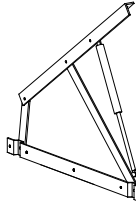


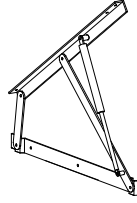
I7

 ø18 x4

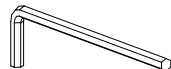
K5

 x12


K1

 ø15x12 x12


N25

 x8

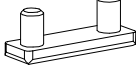
7L

 x1


7P

 x1

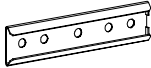
W3

 6mm x1

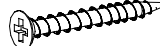
W1

 x1
GLUE, LEIM, LEPIDLO, LIM


N34

 M6x45 x9


P3

 x13


G4

 4x16 x12

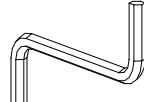
M5

 x4

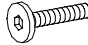
G9

 3,5x25 x24

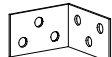
I8

 x22

A1

 ø7x50 x8

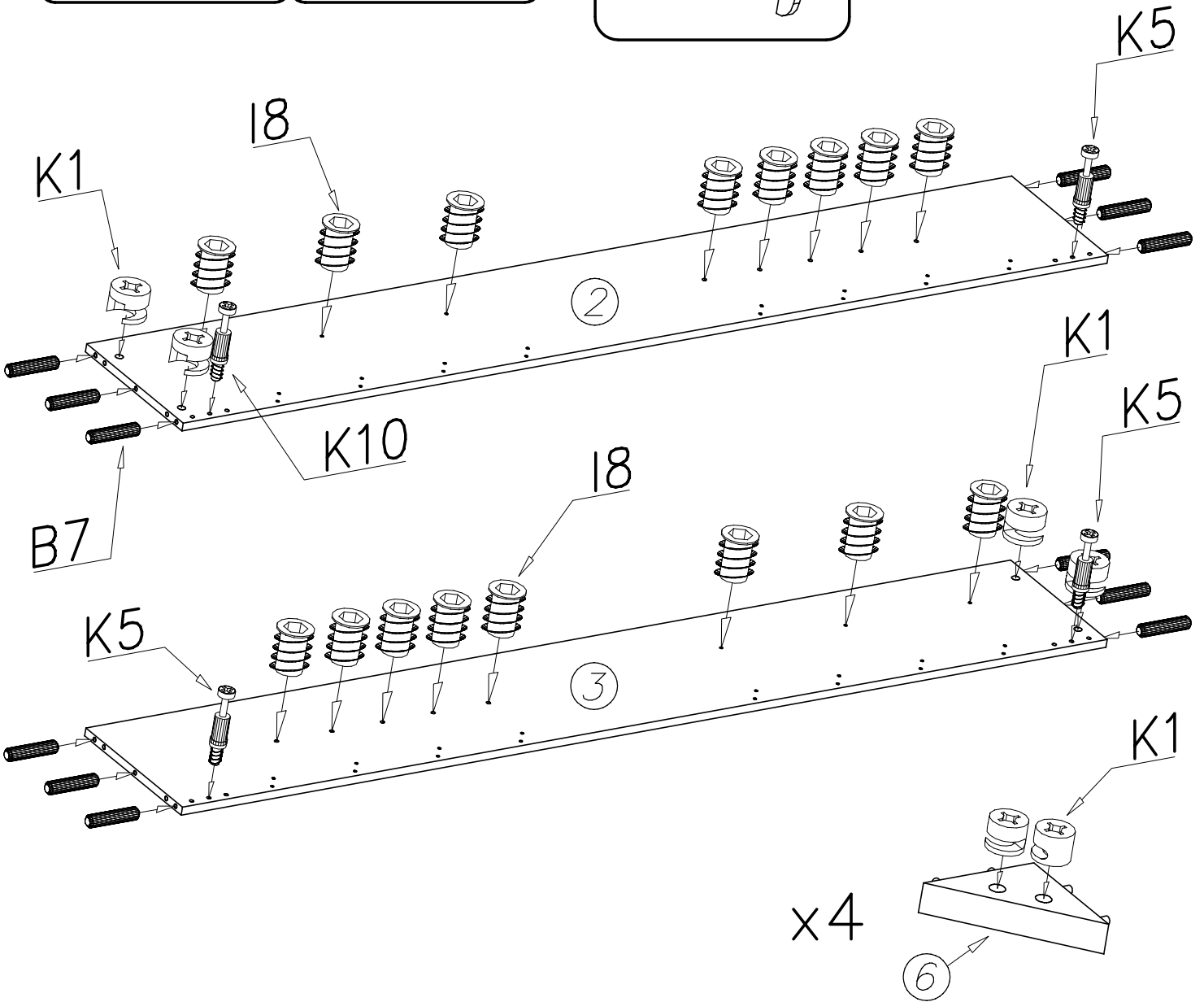
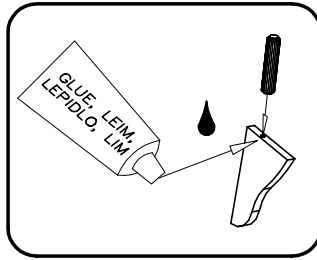
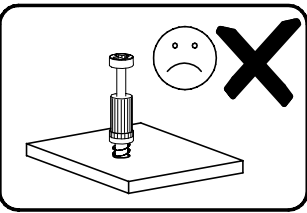
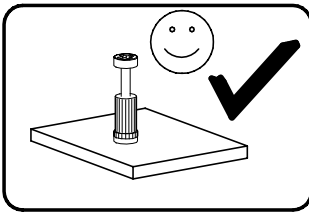
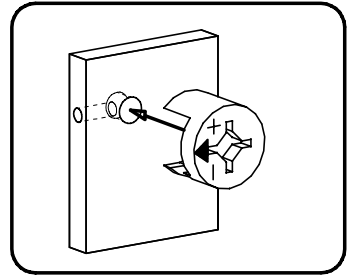
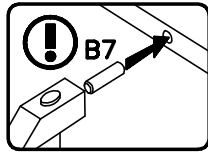
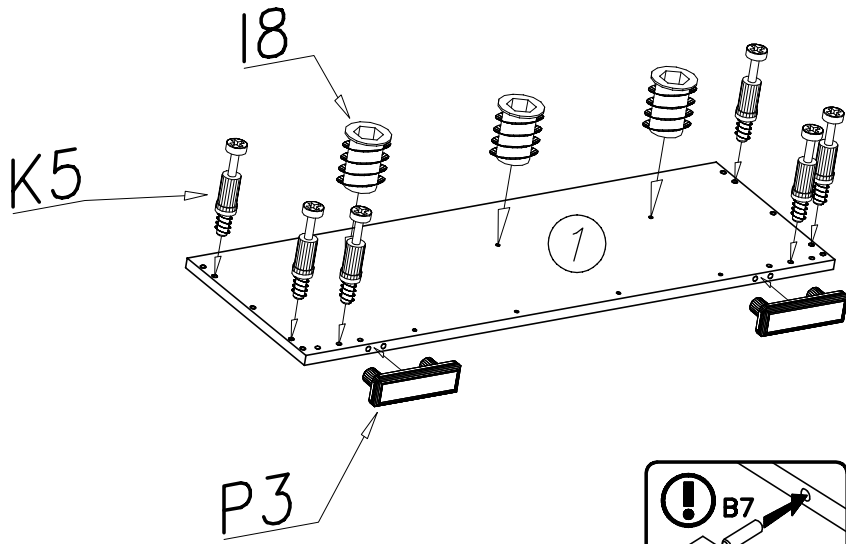
B7

 ø8x30 x12

W2

 x1

N36

 M6x15 x18

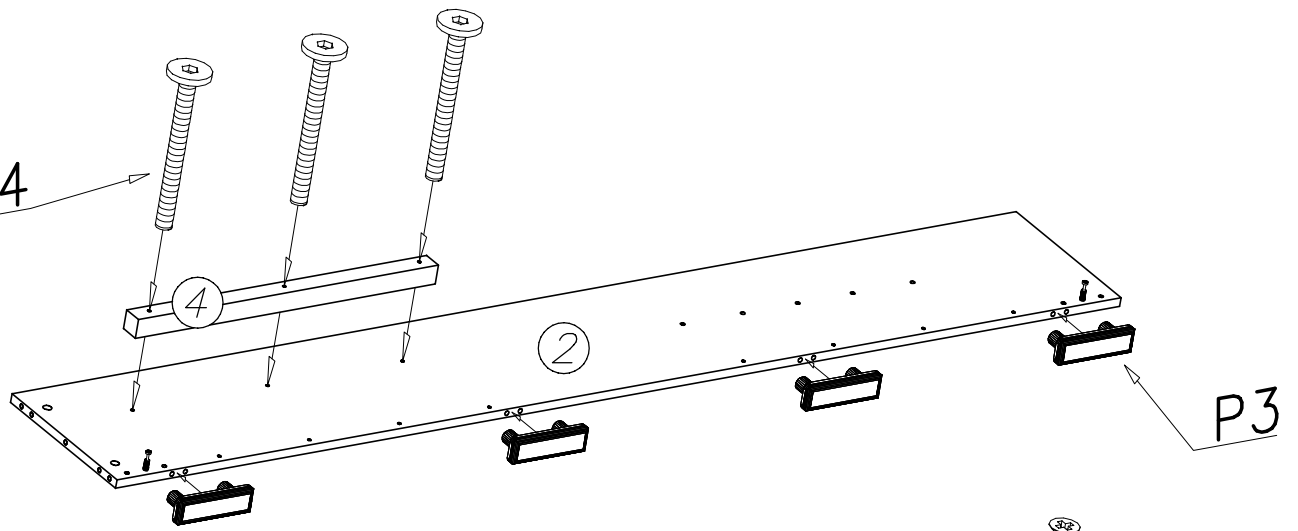
M3

 50x50x25 x2

1

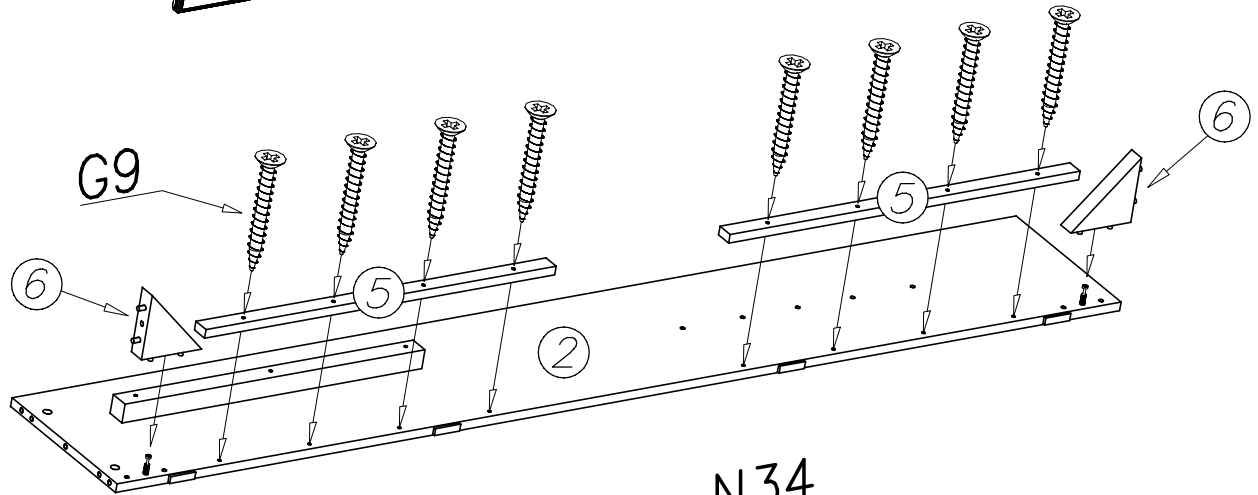


II

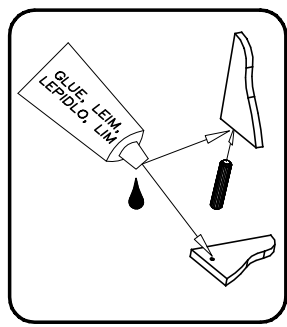
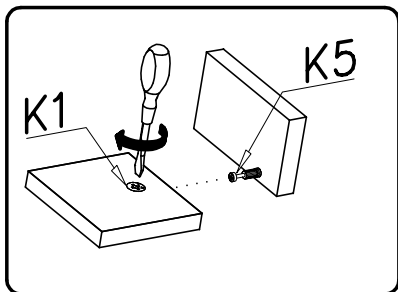
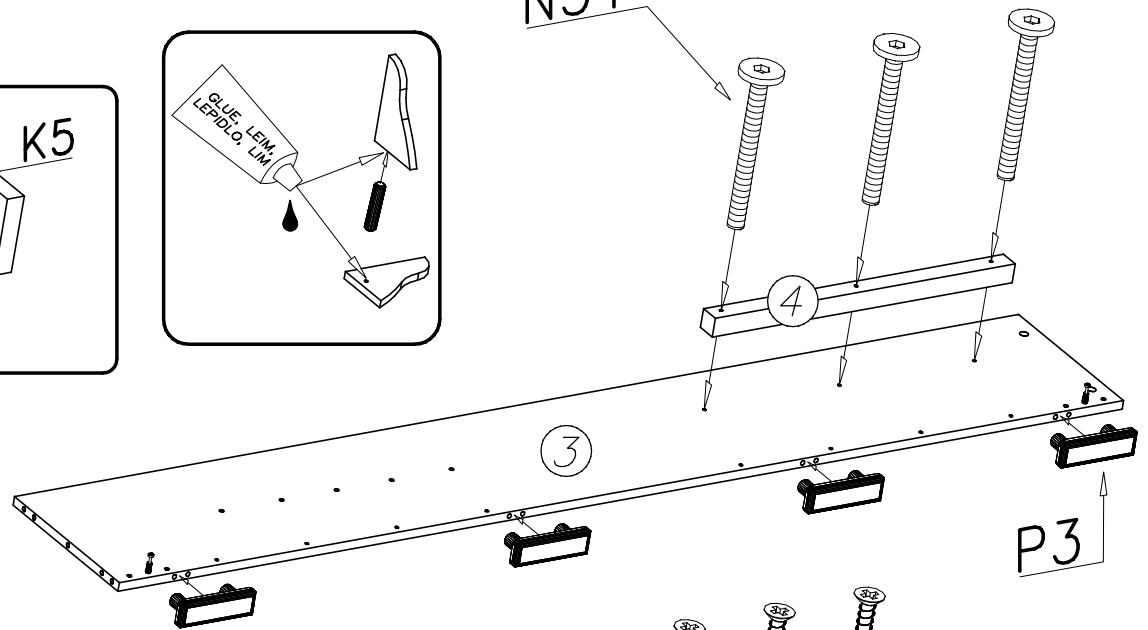
N34



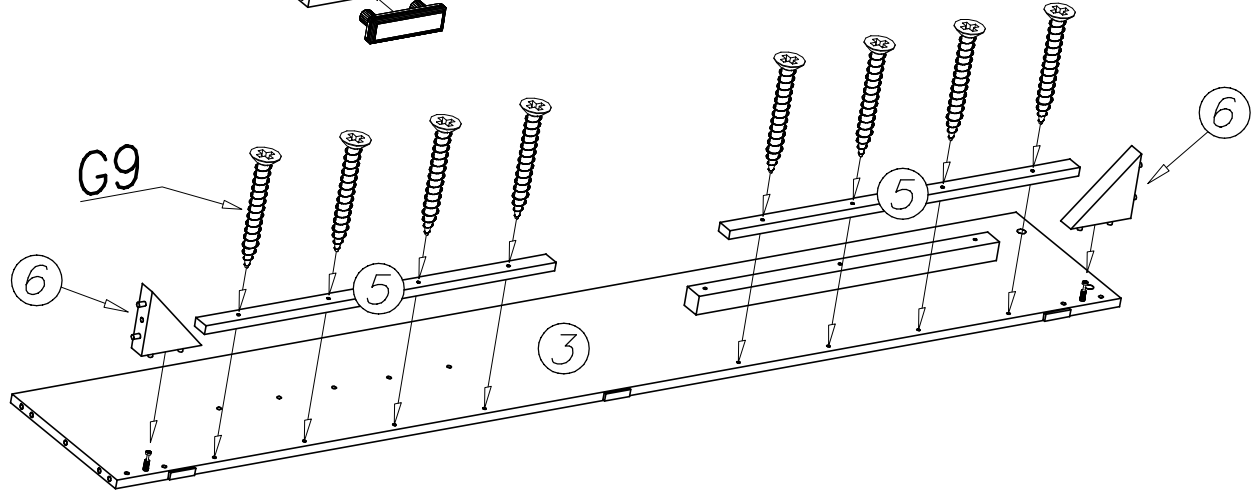
G9



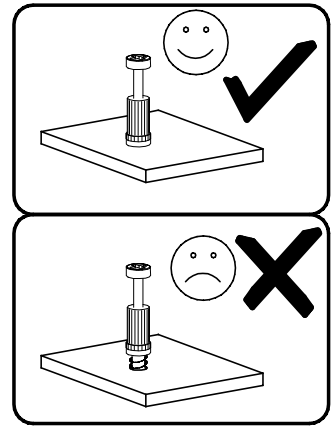
N34



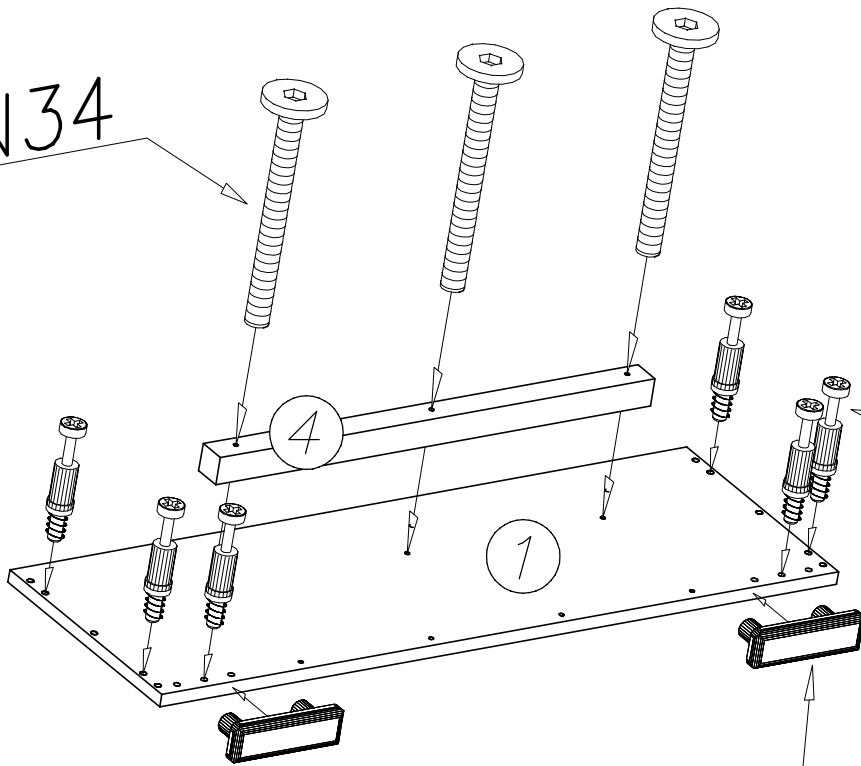
G9



III



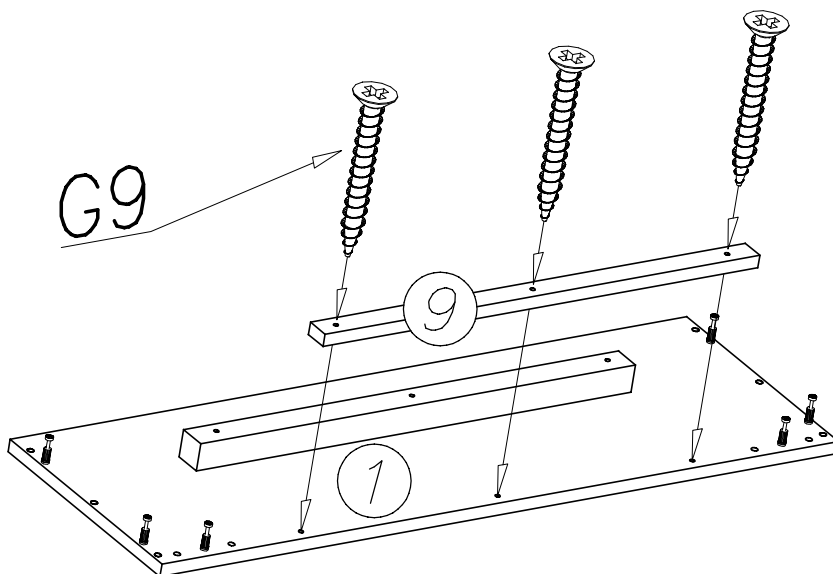
N34



K5

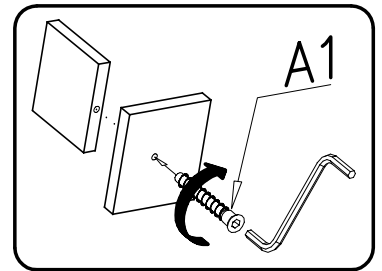
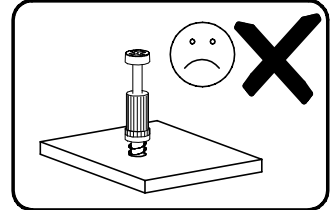
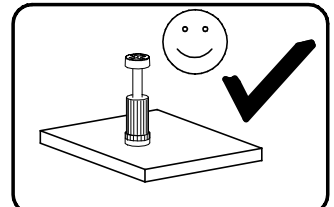
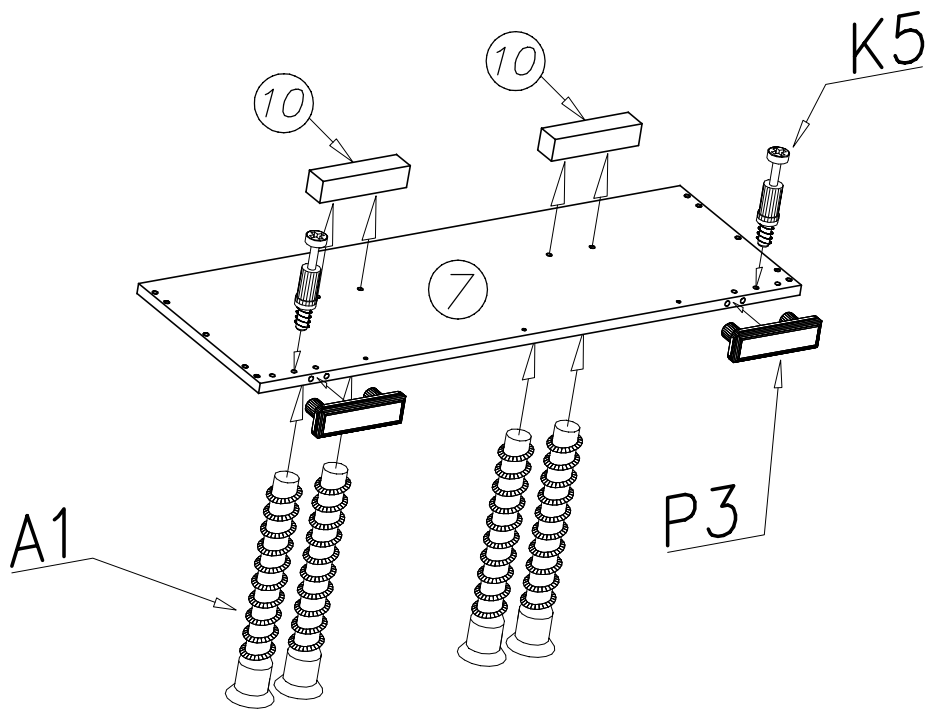
P3

IV

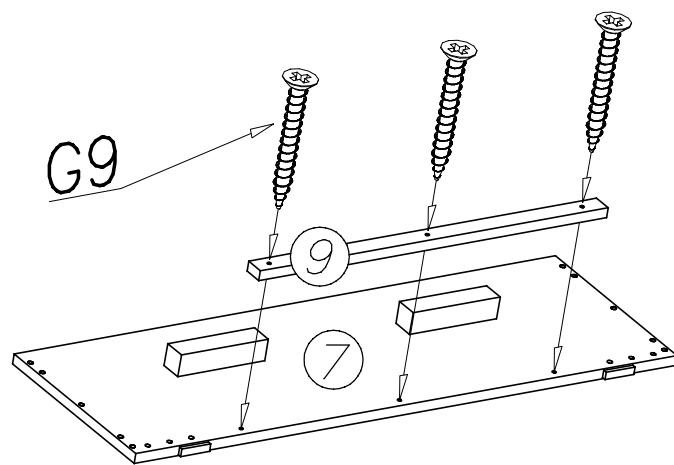


G9

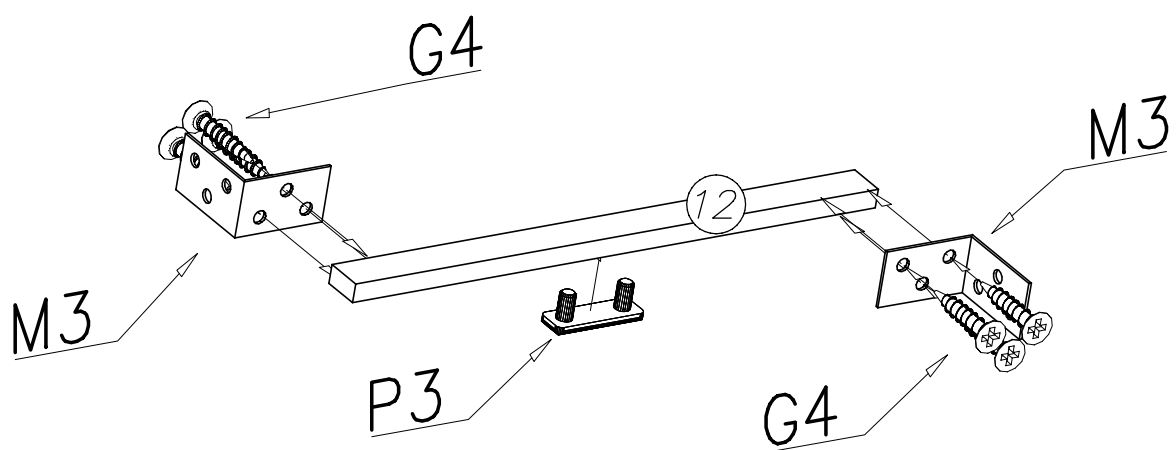
V



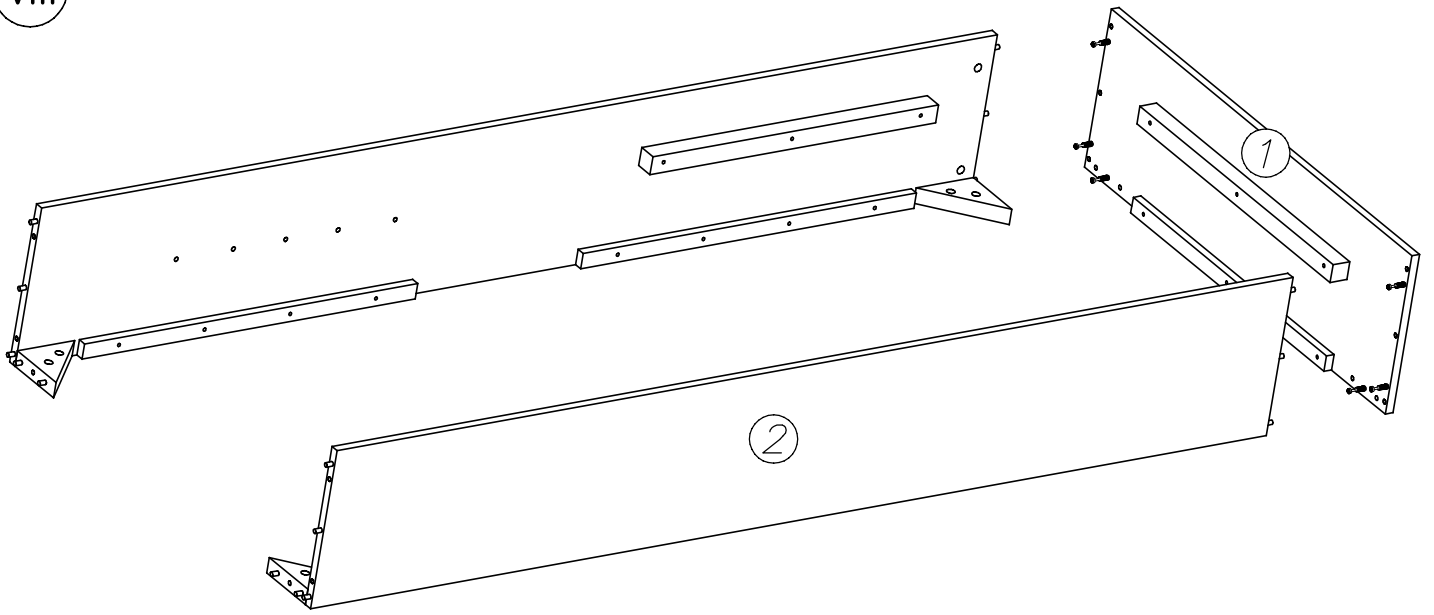
VI



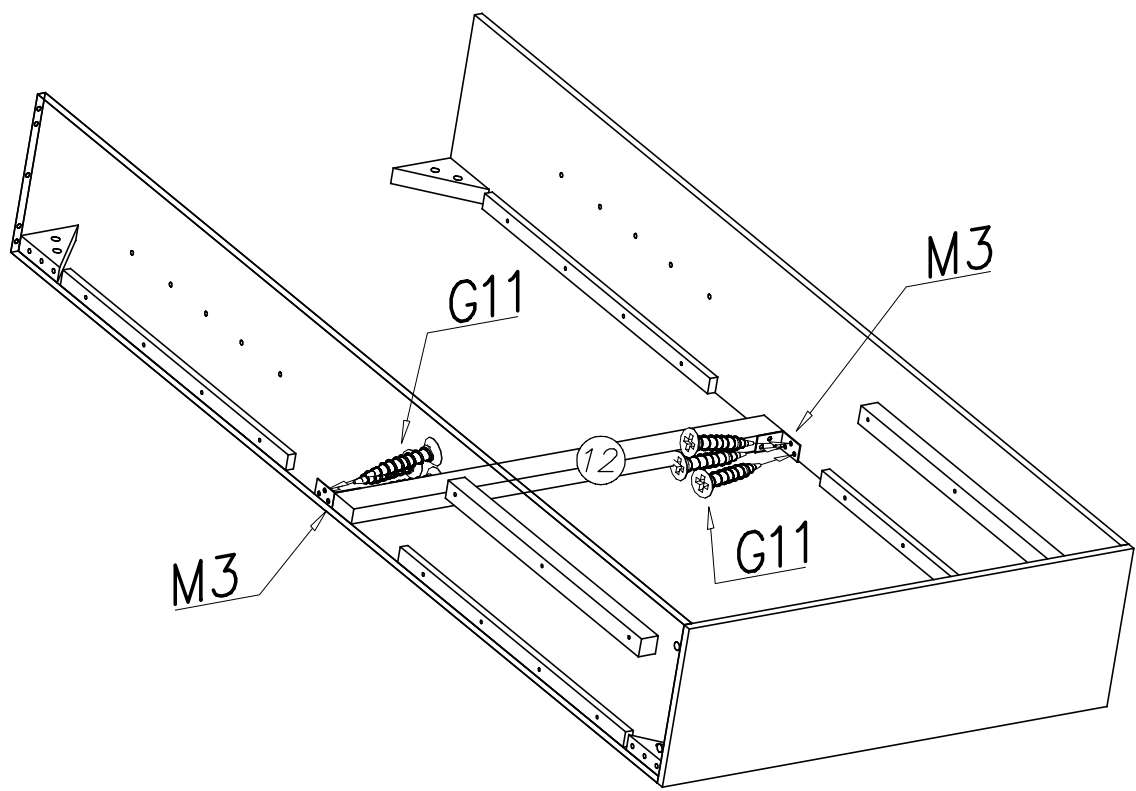
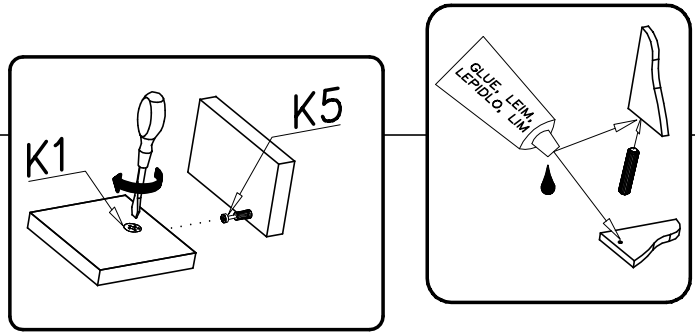
VII



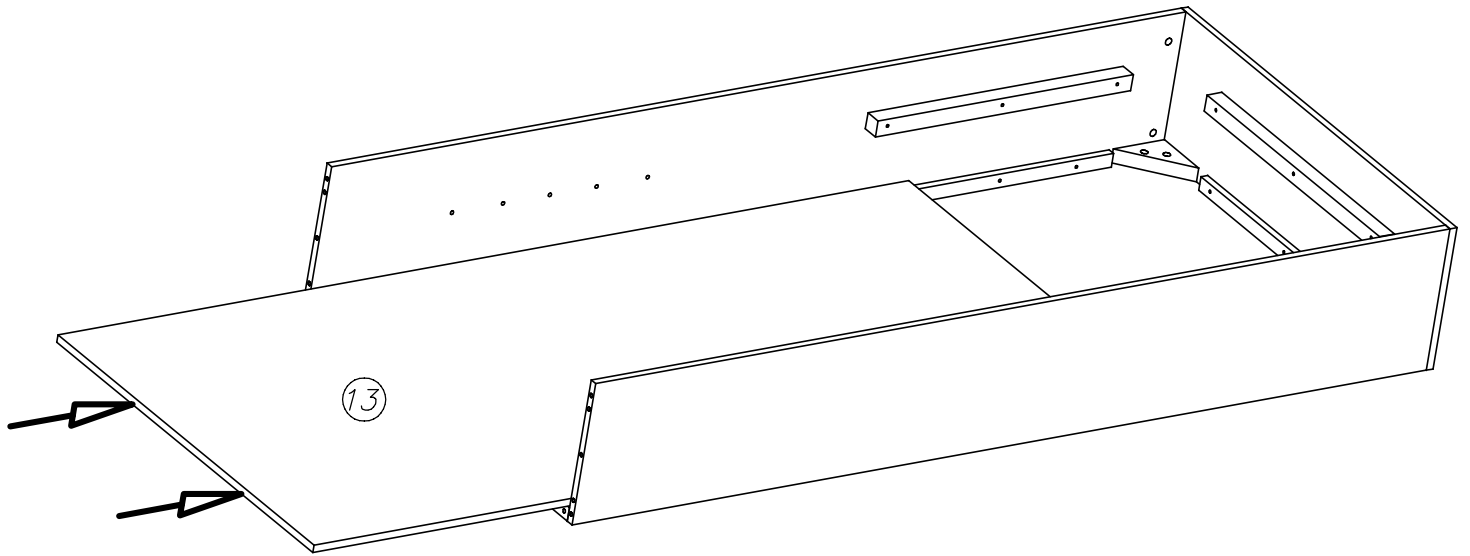
VIII



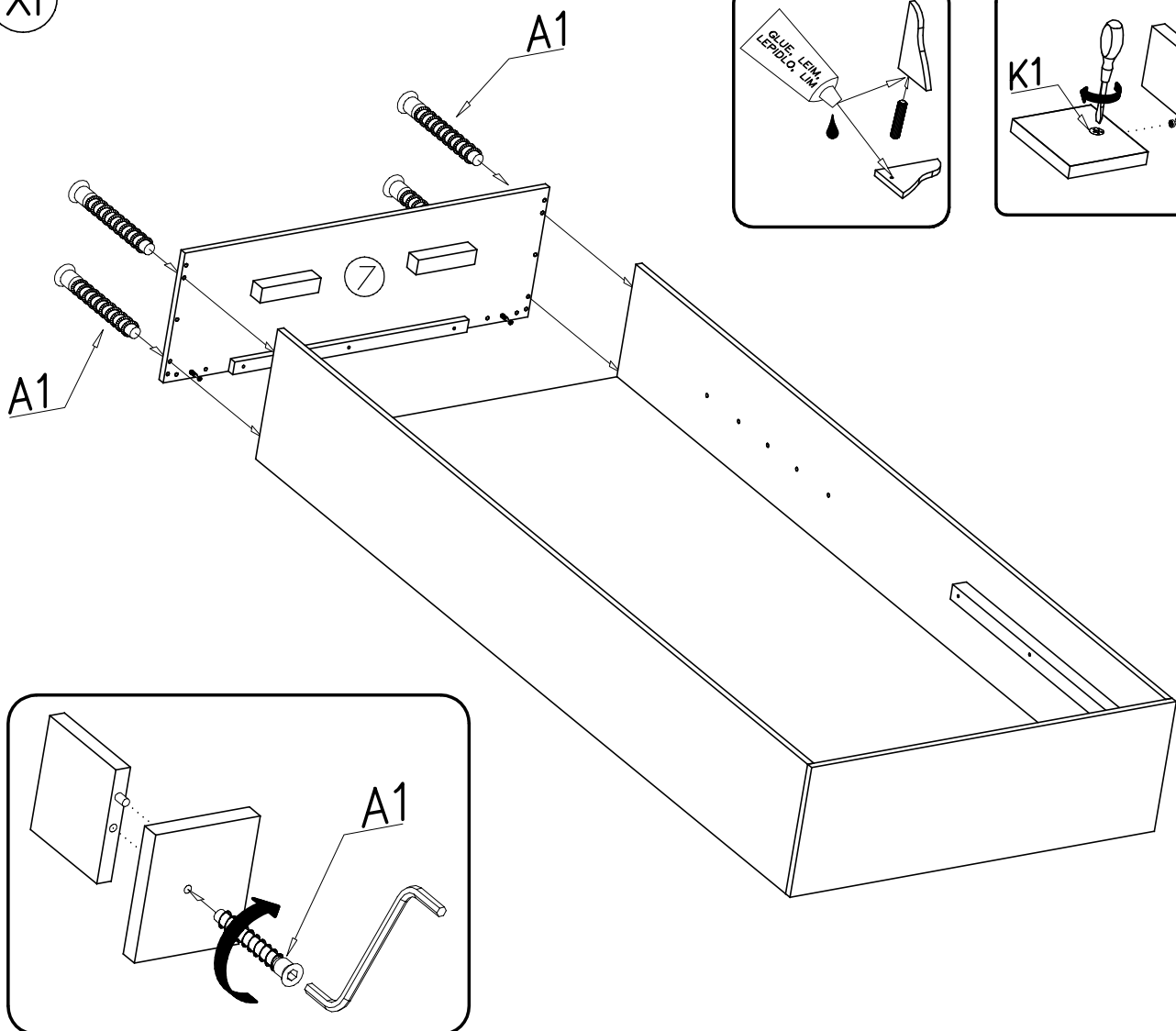
IX



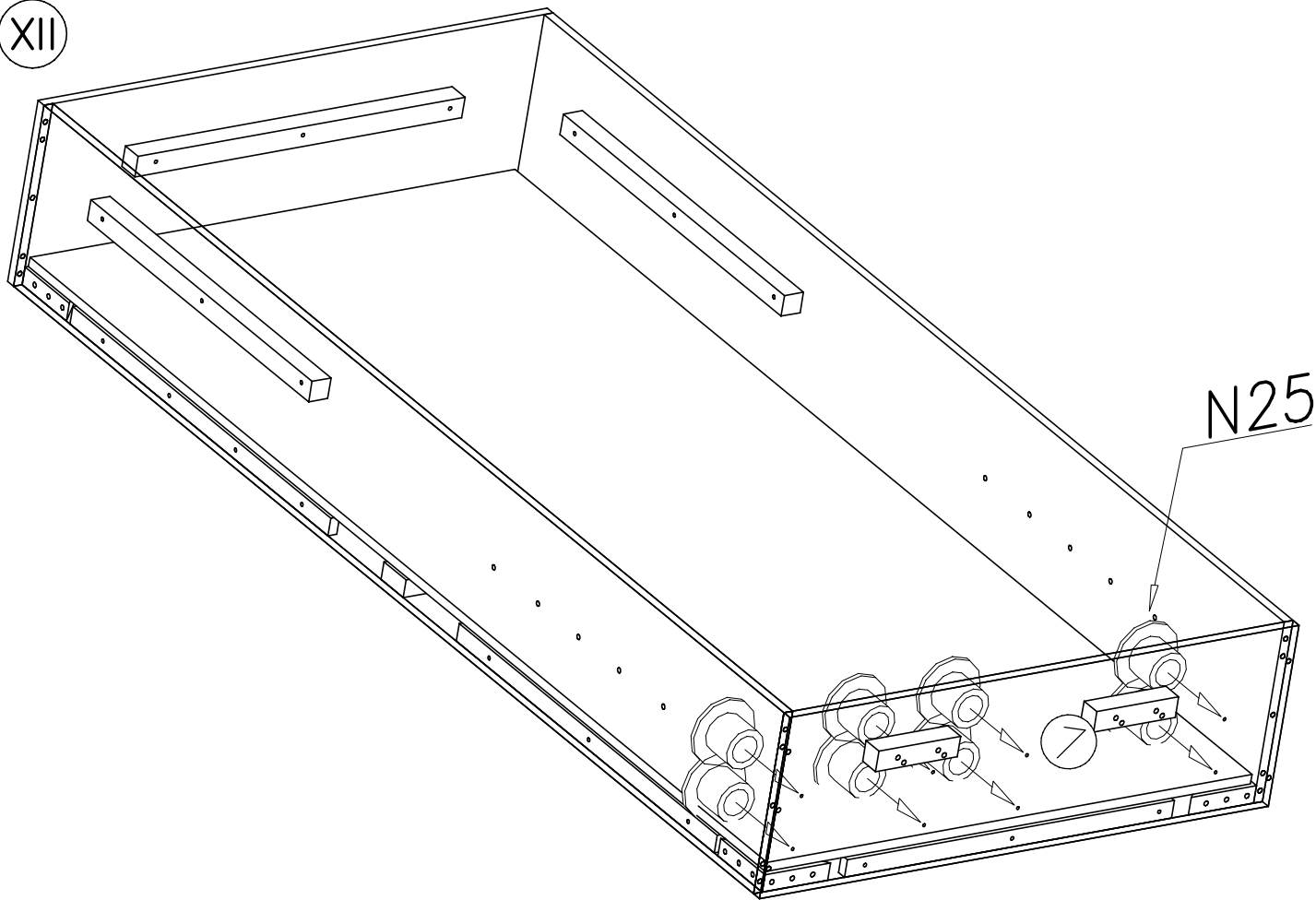
X



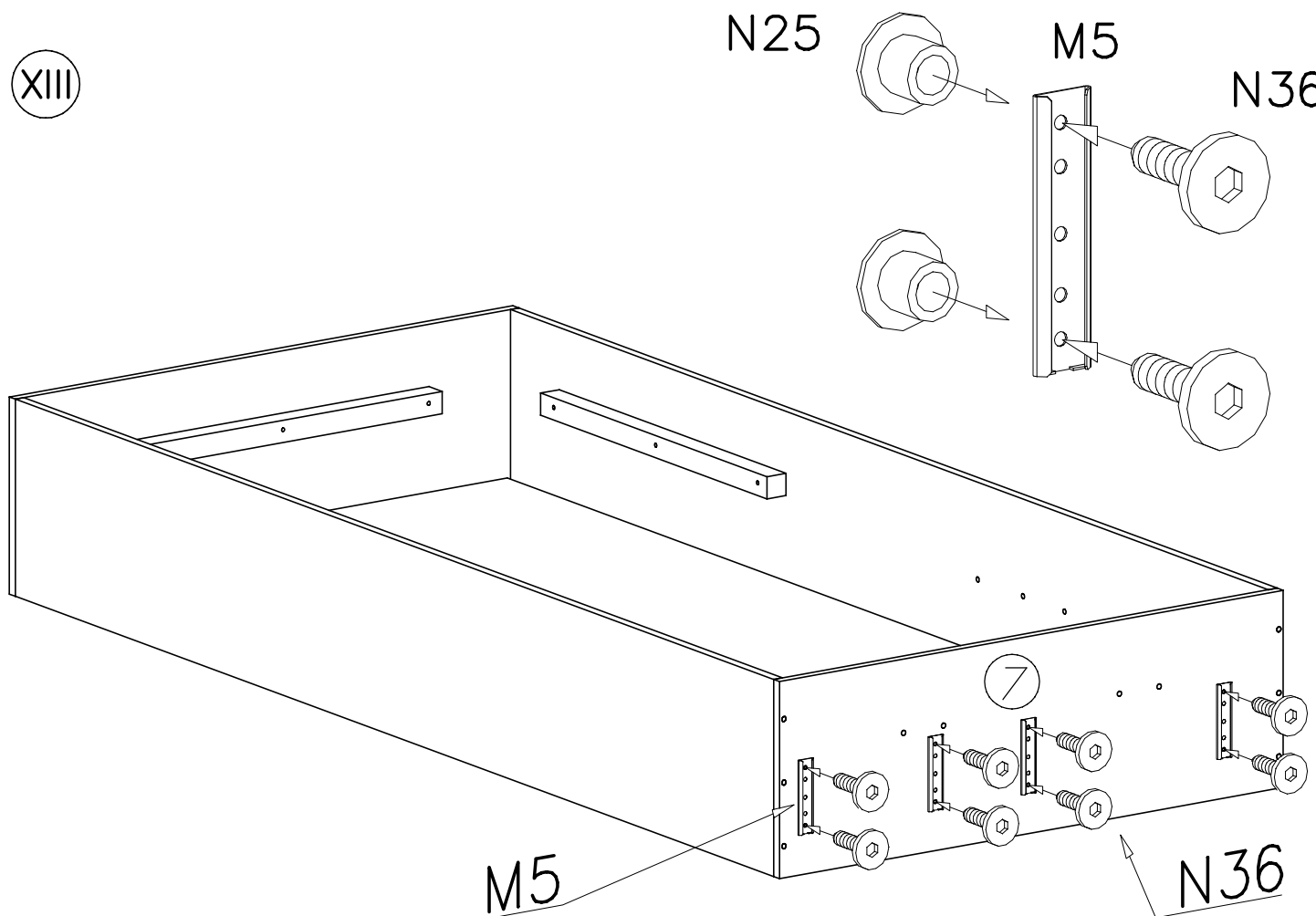
XI



XII



XIII



XIV

