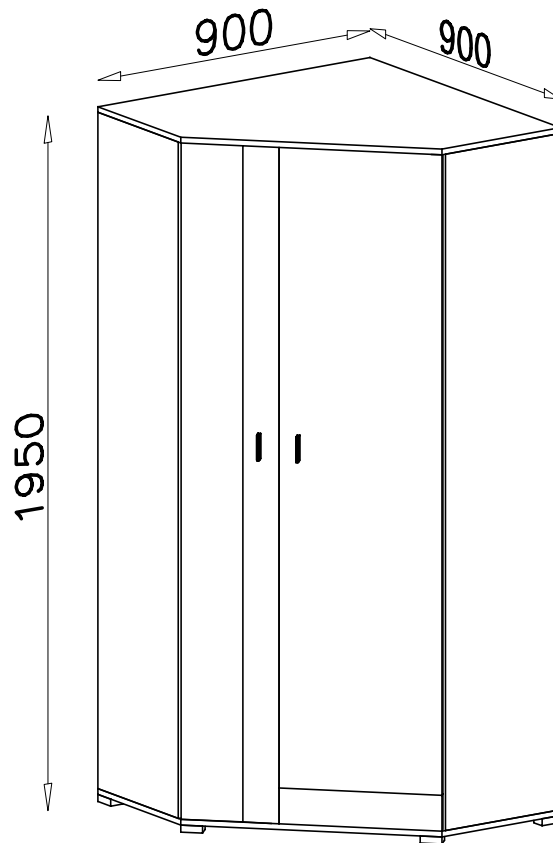
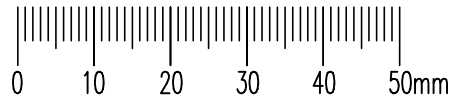
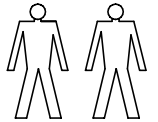
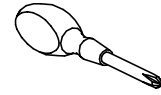
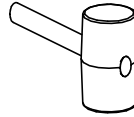
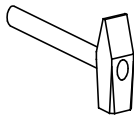
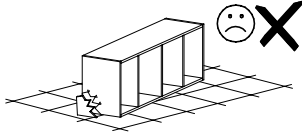
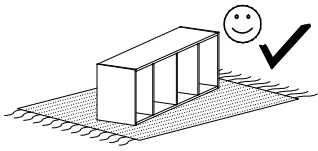



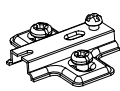
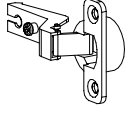
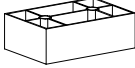





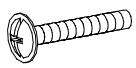

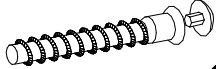

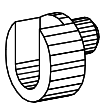
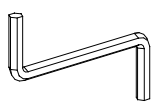

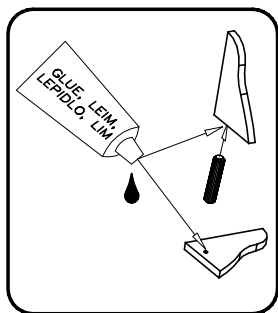
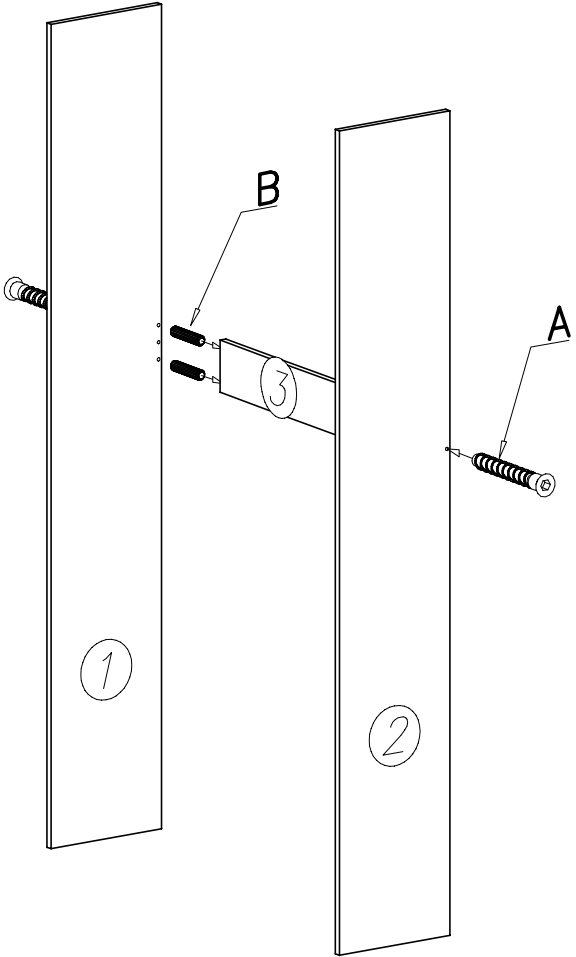


NEXT NX 2

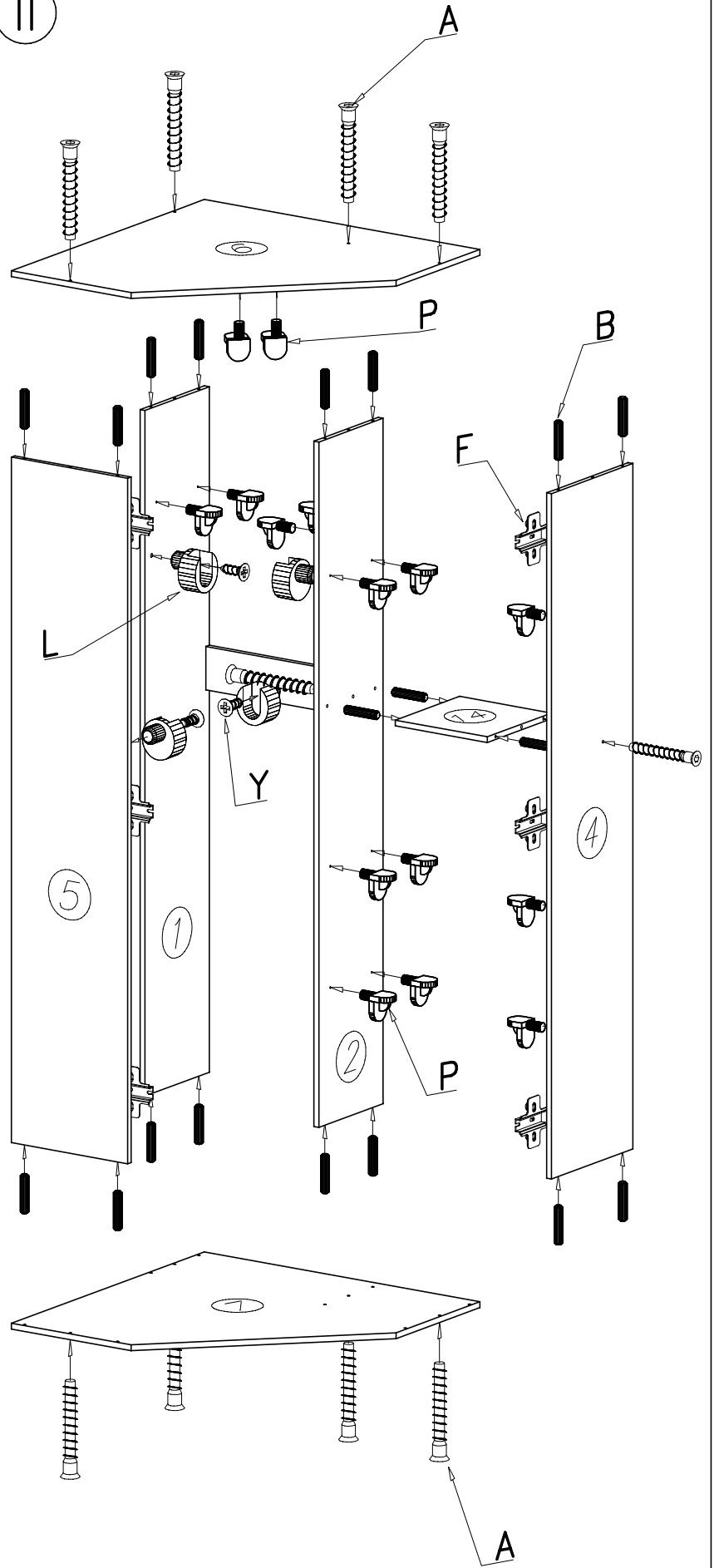


Y  3 x 13 x4	P  x18	T  4 x 16 x12		
F  x6	D  x6	G  x5	M  4 x 25 x10	C  x20
W  x2	E  3 x 20 x100	U  x2	N  M4 x 22 x4	J  578mm x1
A  x12	B  x24	L  x4	Z  x1	S  854mm x1

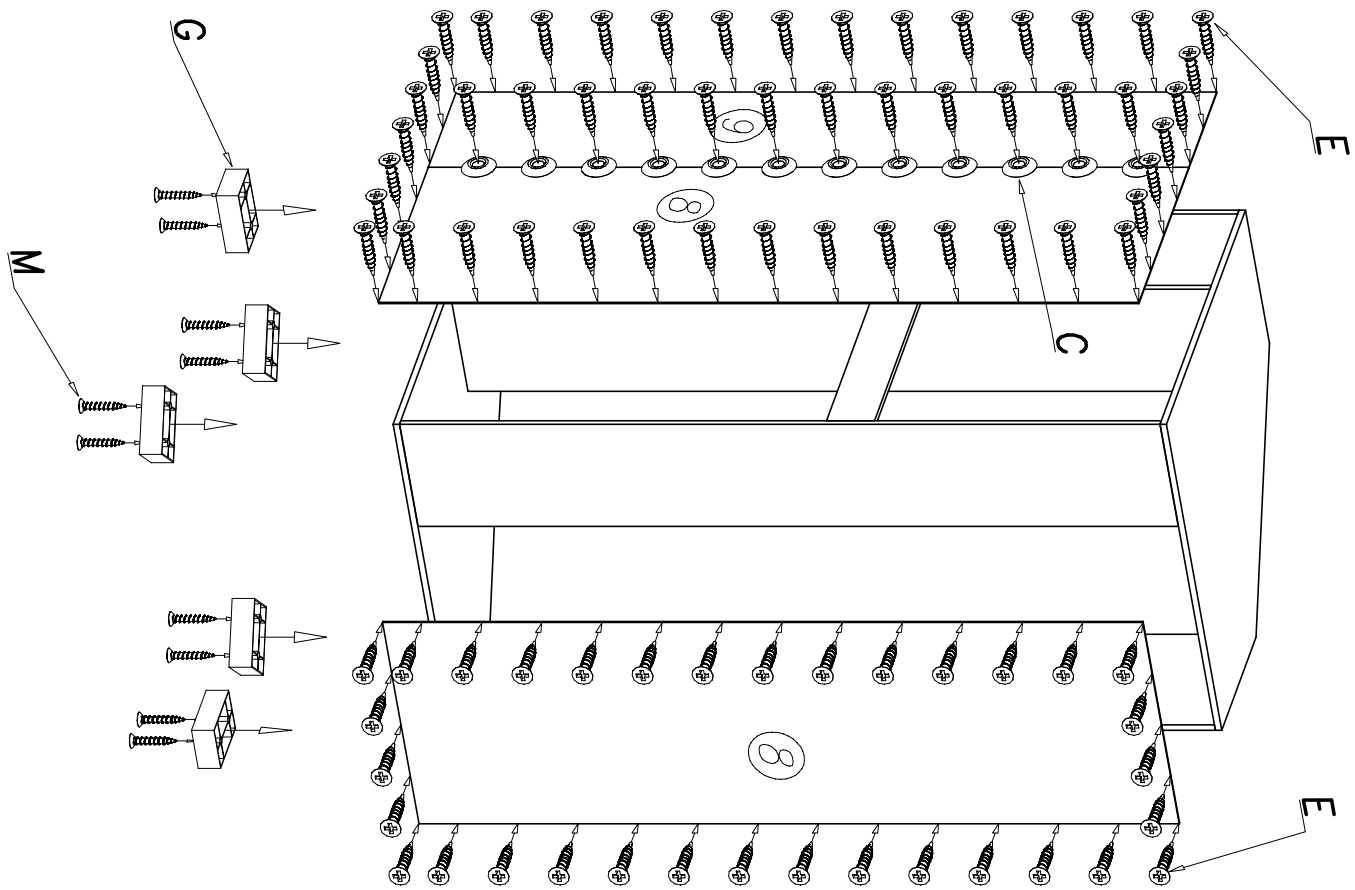
I



II



III



IV

