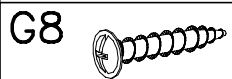
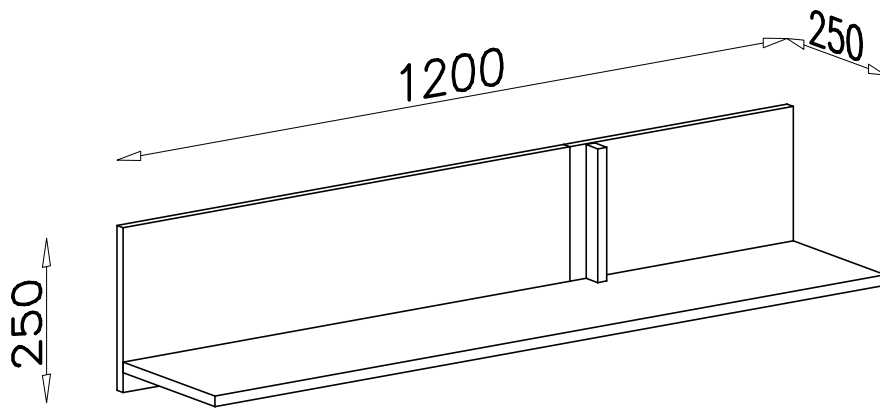
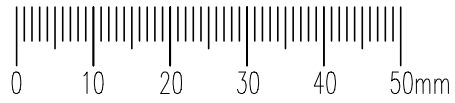
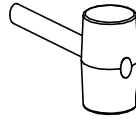
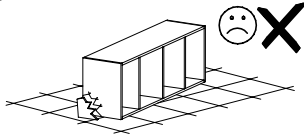
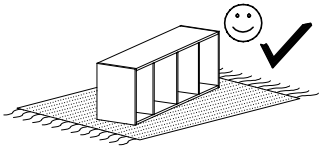
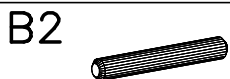


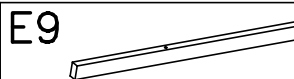
REMO RM 13



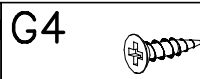
G8 4x30 x1



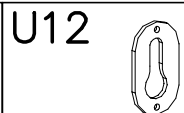
B2 ø6x30 x2



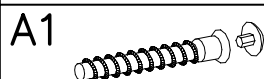
E9 203mm x1



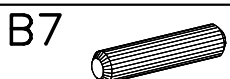
G4 4x16 x4



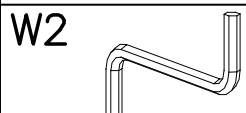
U12 x2



A1 ø7x50 x4



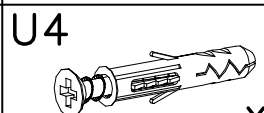
B7 ø8x30 x4



W2 x1

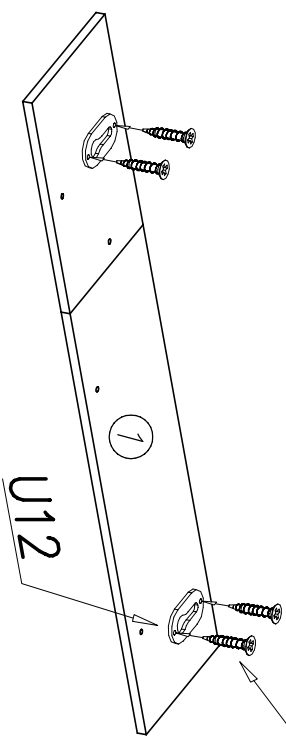


W1 GLUE, LEIM, LEPIDLO, LIM x1

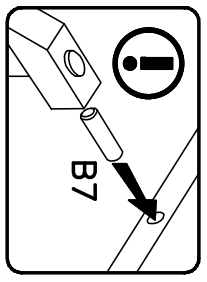


U4 x2

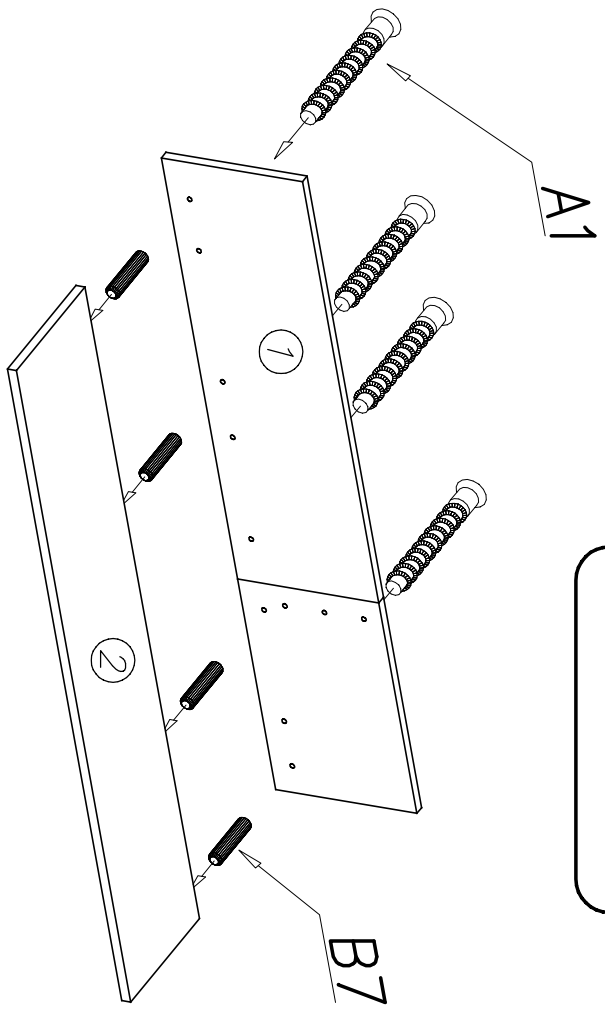
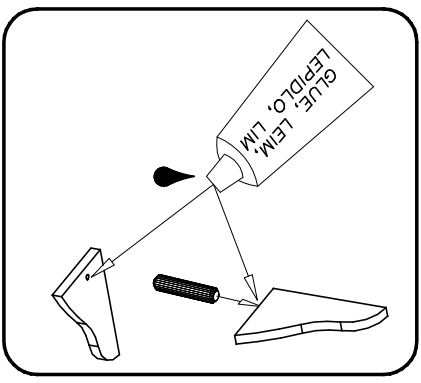
I



G4



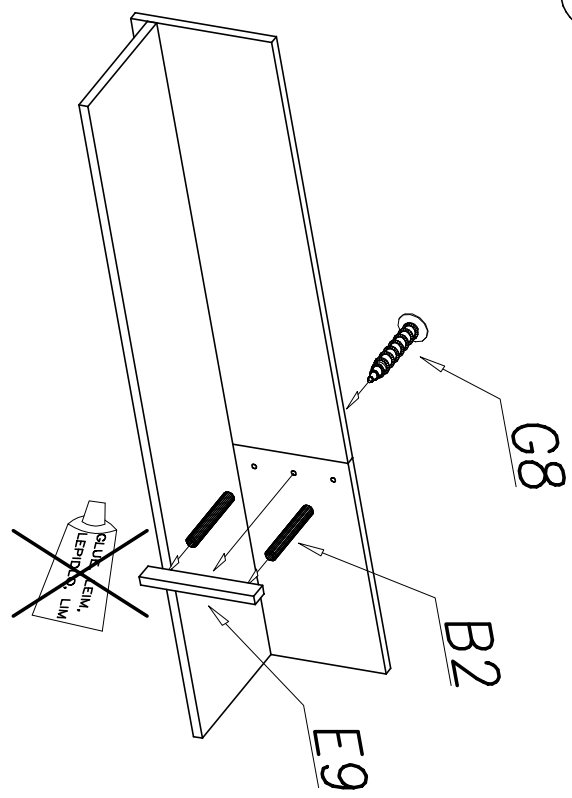
B7



A1

B7

II

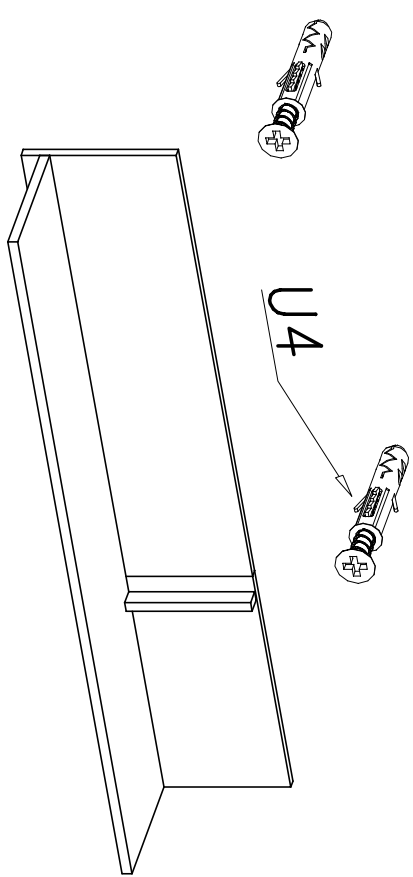


G8

B2

E9

III



U4