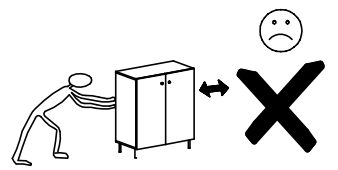
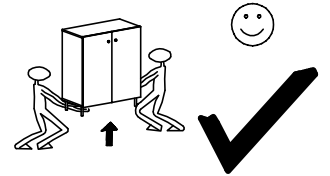
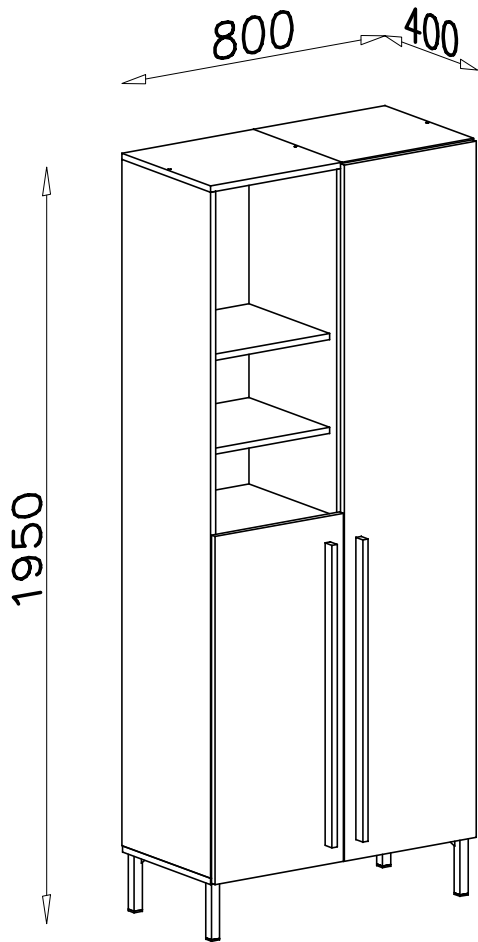
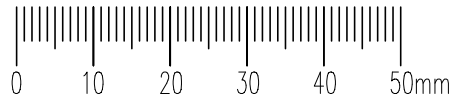
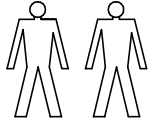
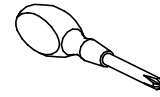
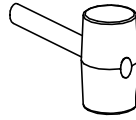
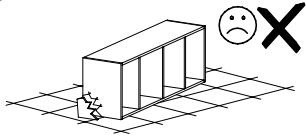
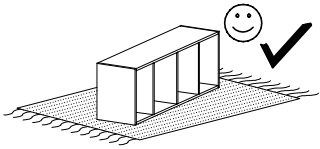


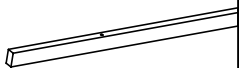

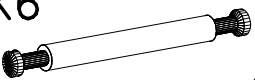


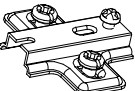
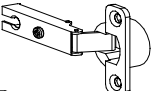

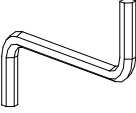

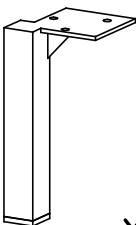




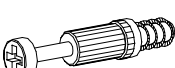

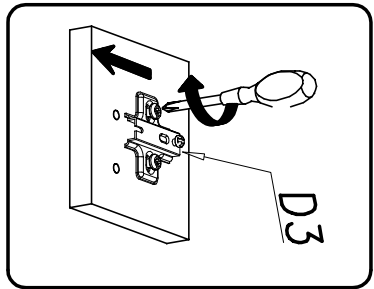
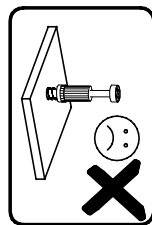
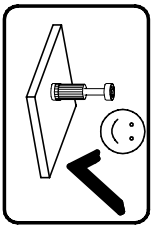
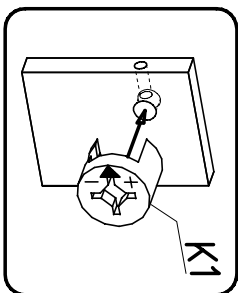
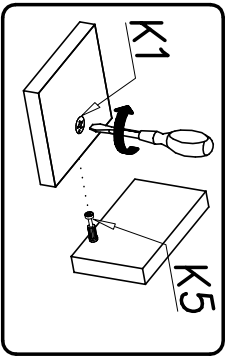
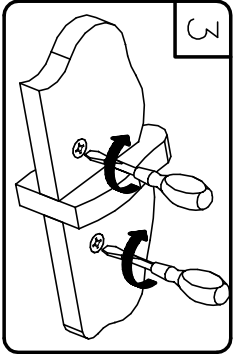
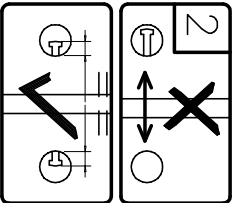
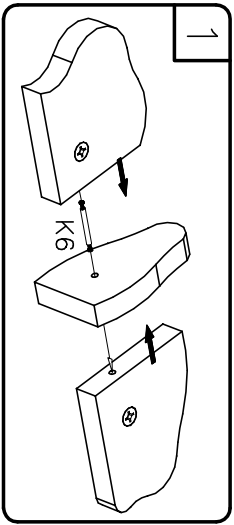
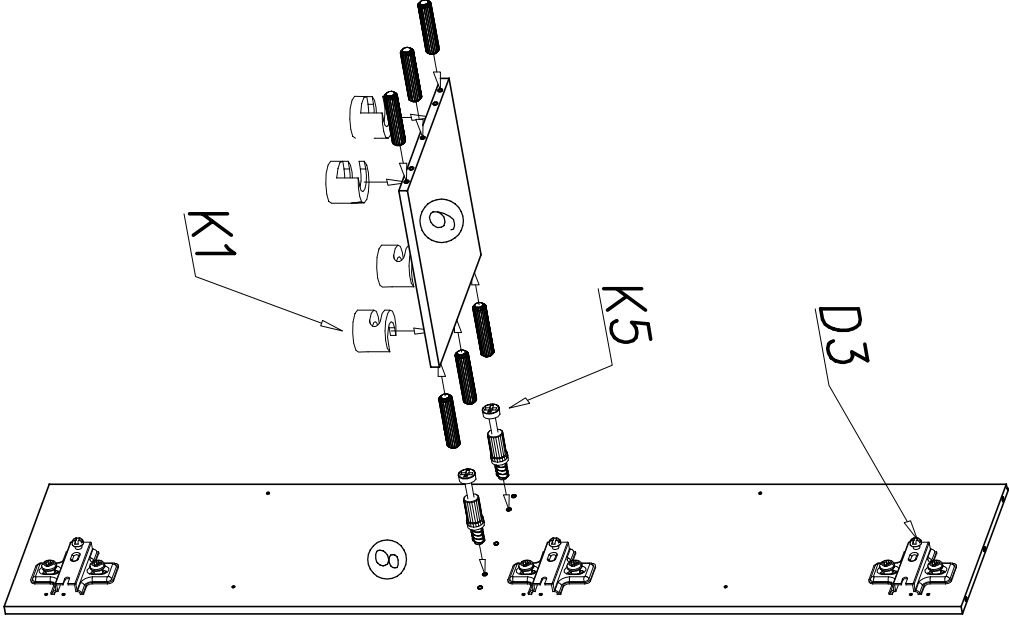
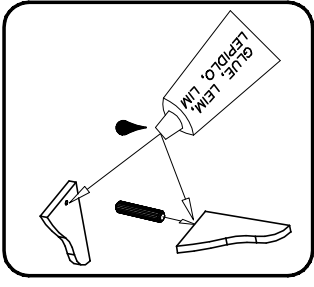
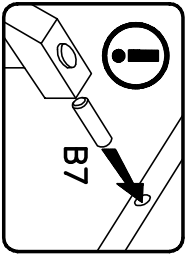
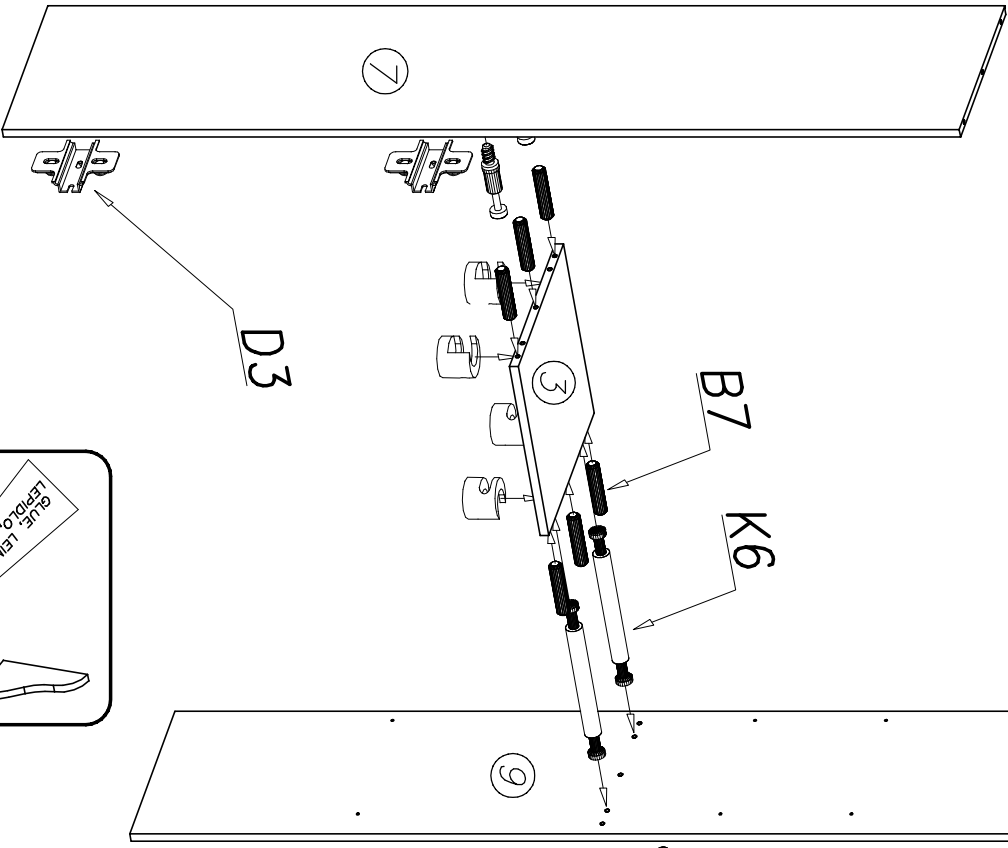


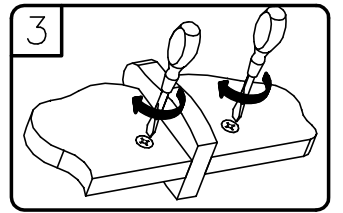
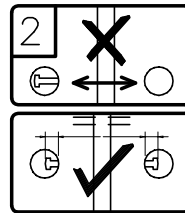
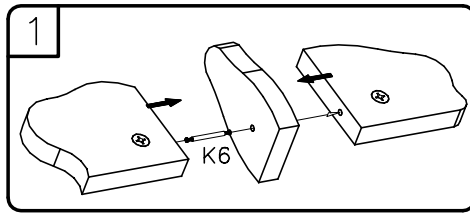
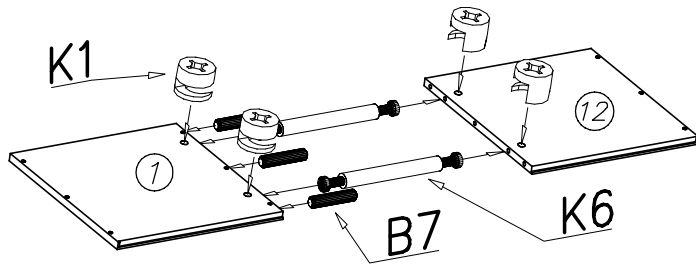
# SERGIO SE 3



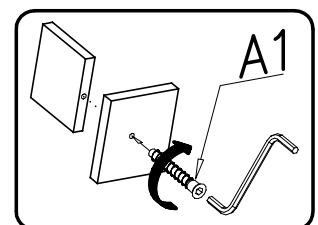
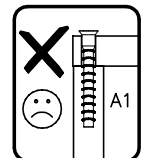
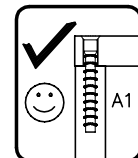
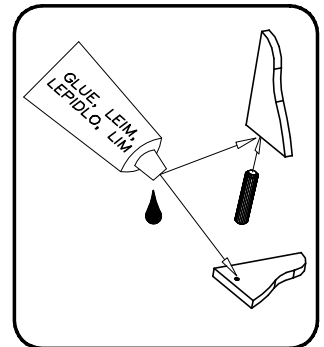
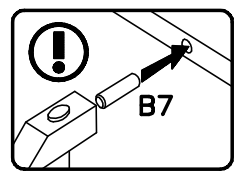
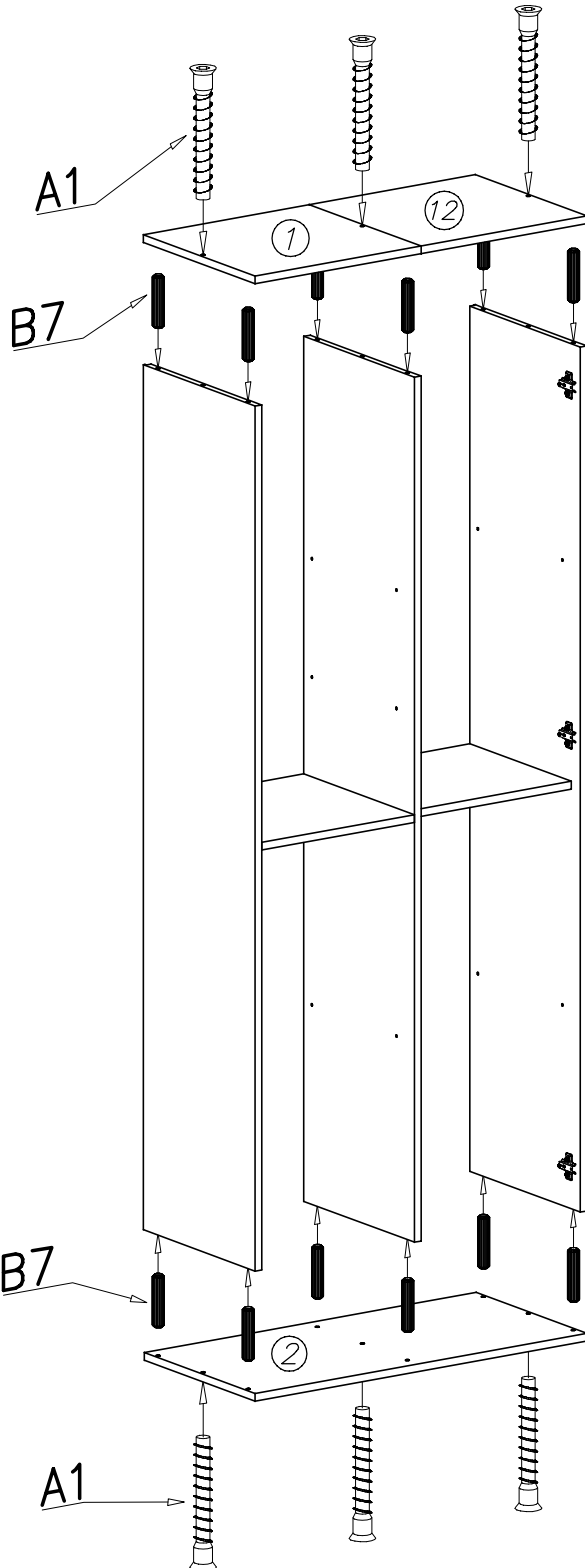
<b>B2</b>  $\varnothing 6 \times 30$ x8	<b>G8</b>  $4 \times 30$ x8	<b>E2</b>  $779\text{mm}$ x2	<b>F1</b>  x20	<b>K6</b>  x4
<b>I7</b>  $\varnothing 18$ x12	<b>W1</b>  GLUE, LEIM, LEPIDLO, LIM x2	<b>D3</b>  PZ35 x5	<b>C3</b>  Z35PR x5	<b>S2</b>  x15
<b>W2</b>  x1	<b>G4</b>  $4 \times 16$ x10	<b>P7</b>  x4	<b>G10</b>  $6 \times 13$ x12	<b>G2</b>  $3 \times 20$ x55
<b>A1</b>  $\varnothing 7 \times 50$ x6	<b>B7</b>  $\varnothing 8 \times 30$ x27		<b>K5</b>  x4	<b>K1</b>  $\varnothing 15 \times 12$ x12



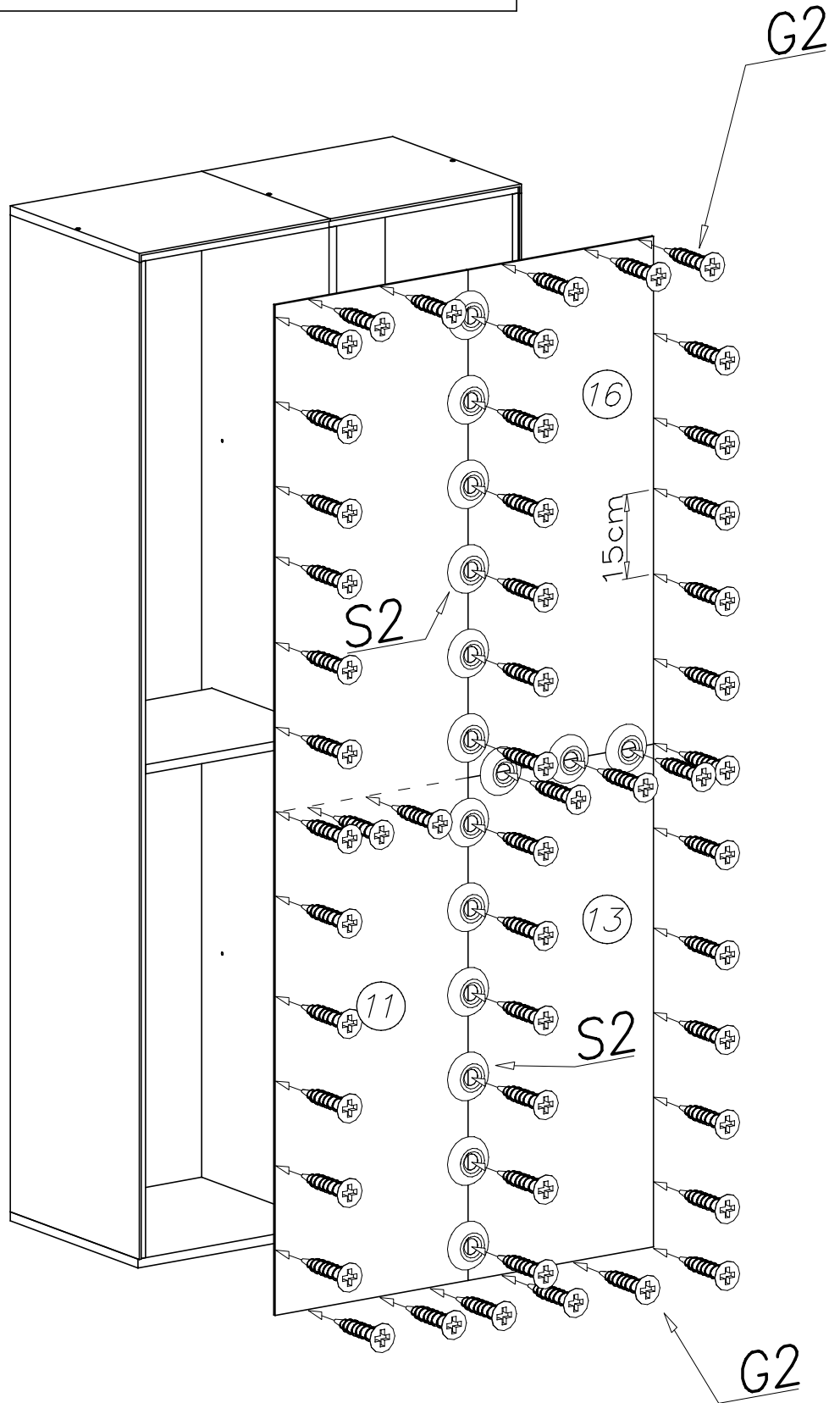
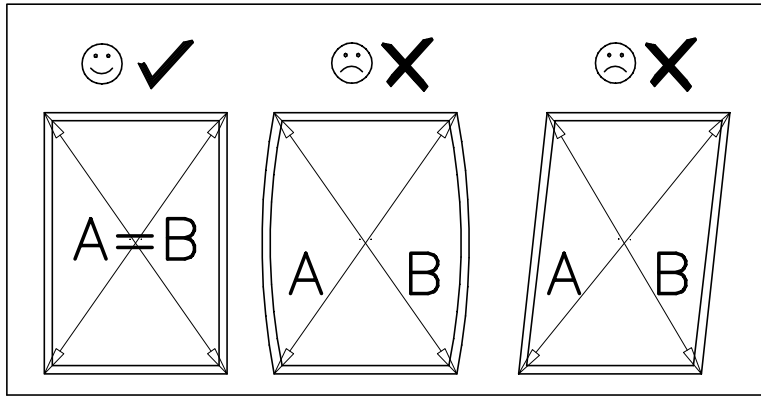
II



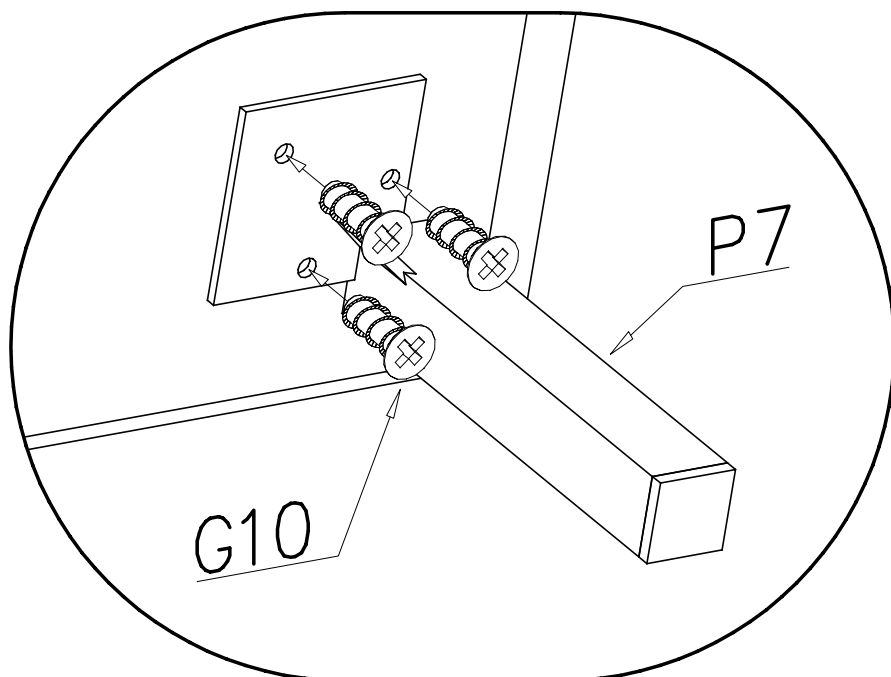
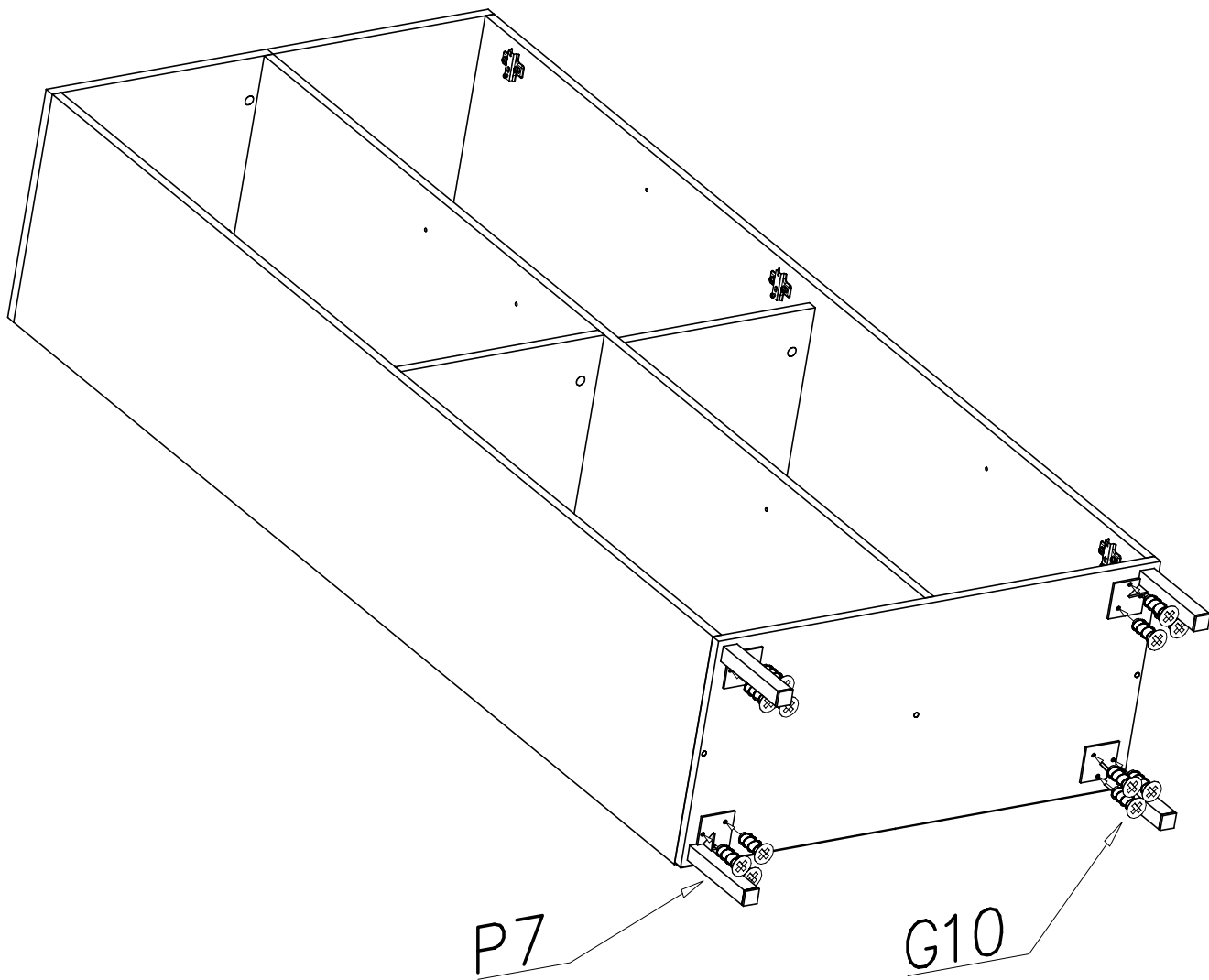
III



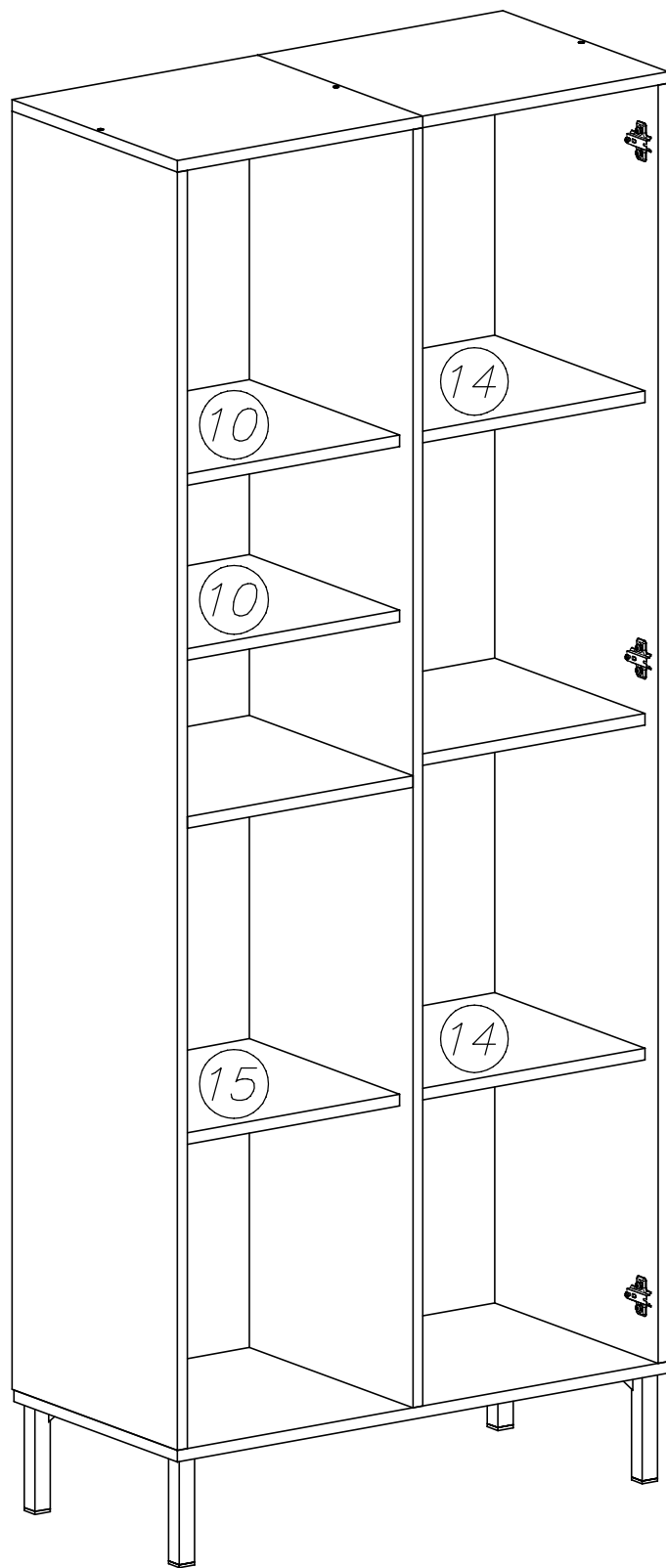
IV



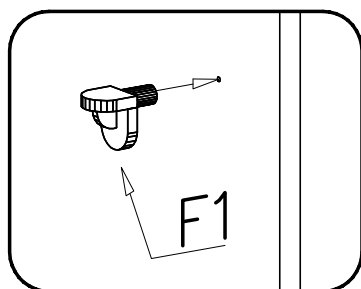
V



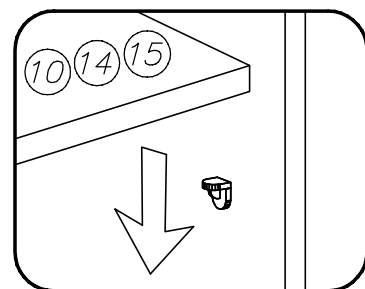
VI



1



2



VII

